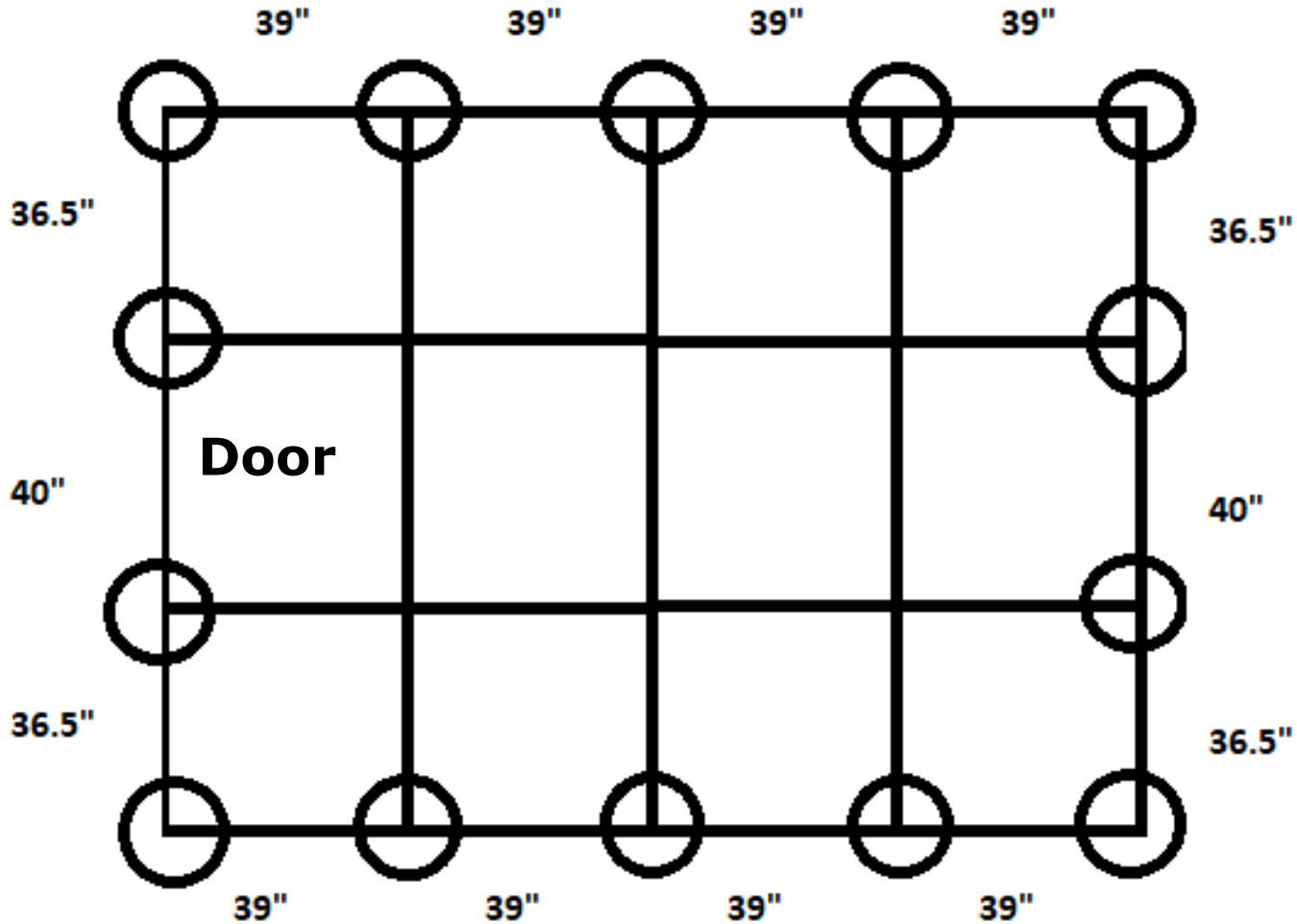


PS GREENHOUSE
(9.84'W x 13.12'L x 6.89'H)
(3m x 4m x 2.1m)

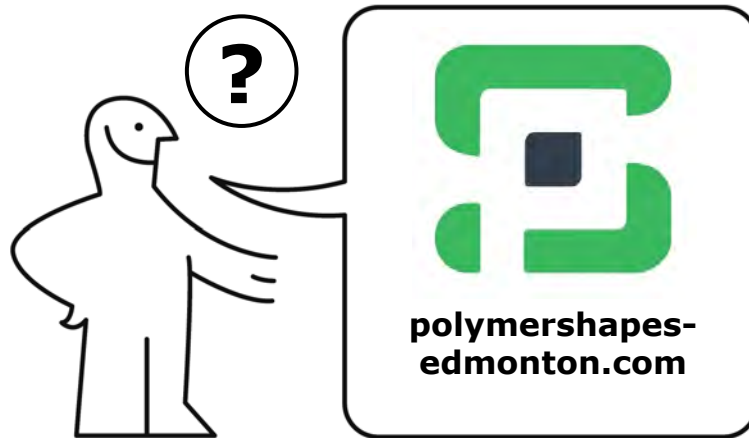
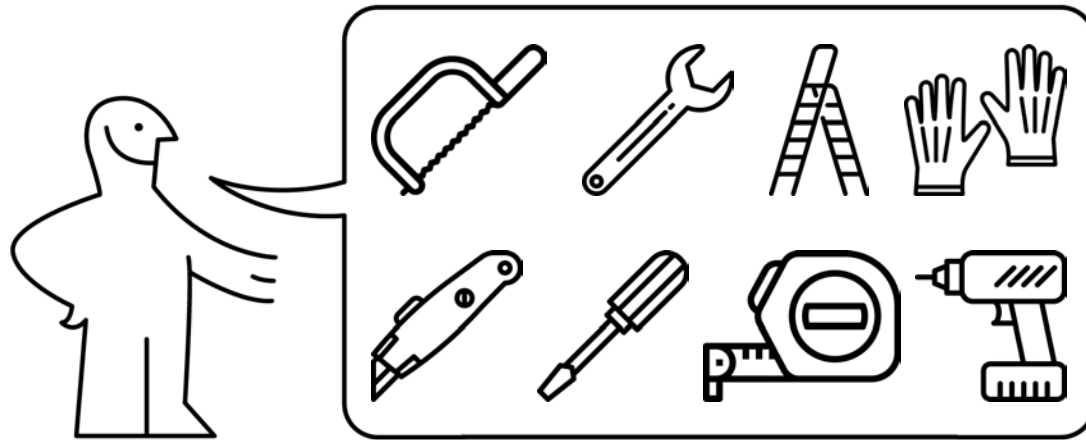
ASSEMBLY INSTRUCTIONS

Greenhouse Ground Hole Layout - ****Dig holes no deeper than 10" deep****



Holes should be at least 10" in diameter

Measurement is from middle of hole to middle of next hole



BOX 1/4 - W 30 x L 175 x H 6.0 cm - 31 kg		BOX 2/4 - W 60 x L 197 x H 8.5 cm - 30 kg	
Piece No.	Quantity	Piece No.	Quantity
Nr.1	5	Nr.3	6
Nr.2	10	Nr.4	14
Nr.3	4	Nr.5	4
Nr.12a	4	Nr.7	6
Nr.12b	4	Nr.8	4
Nr.13	5	Nr.8-1	4
K1	6	Nr.10	5
K2	12	D1	3
D5	6	D2	3
D6	3	D3	9
Gasket slides Ø40		BOX 3/4 - W 60 x L 95.5 x H 9.5 cm - 18 kg	
Screws M5 x 12 / M5 x 40		Piece No.	Quantity
Washers M5		Nr.9	4
Double sided sticky tape	1	Nr.11	28
BOX 4/4 - W 110 x L 205 x H 7.5 cm - 22 kg			
Piece No.	Quantity	Width, cm	Length, cm
PC1A - Arch Shapes	4	105	200
PC2	2	105	99
PC3	2	105	94
PC4 - Top Arches	2	105	17
PC5	4	105	198
PC6	4	99	198
PC7 - One with vent cut out	2	99	210
PC1B - Straight Cuts	2	105	210

Supplemental Hardware: 1 Aluminum Plate 4 standard bolts 4 extended bolts

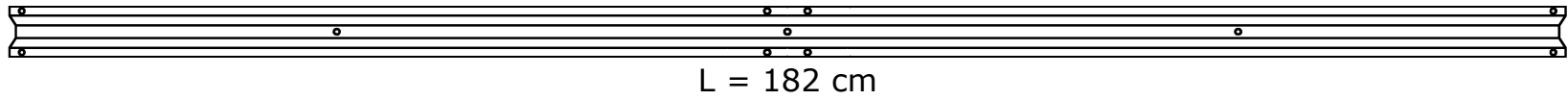
Extension for 3 x 6 m (1 x BOX 1/2 & 1 x BOX 2/2)**BOX 1/2 - W 31 x L 176 x H 7,0 cm – 23 kg**

Piece No.	Quantity		
Nr.1	2		
Nr.2	4		
Nr.3	4		
Nr.4	4		
Nr.7	4		
Nr.11	14		
Nr.12a	4		
Nr.13	2		

BOX 2/2 - W 110 x L 205 x H 3,5 cm – 8 kg

Piece No.	Quantity	Width, cm	Length, cm
PC6	4	99	198
PC7	2	99	210

Extension for 3 x 8 m - 2 x BOX 1/2 & 2 x BOX 2/2**Extension for 3 x 10 m - 3 x BOX 1/2 & 3 x BOX 2/2**



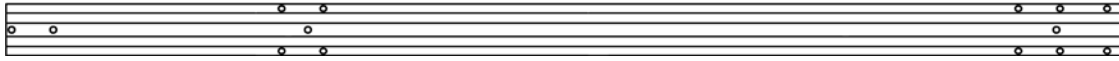
Nr.1 (x5)

L = 182 cm



Nr.2 (x10)

L = 120 cm



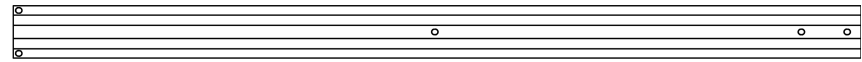
L = 123 cm

Nr.3 (x10)



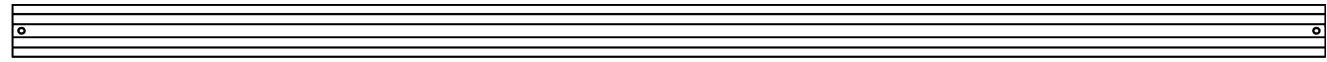
Nr.4 (x14)

L = 20 cm



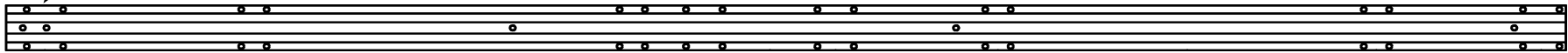
Nr.5 (x4)

L = 92,5 cm



Nr.7 (x6)

L = 147 cm



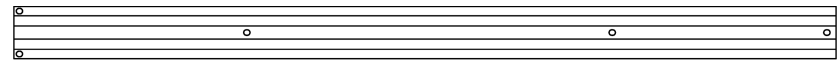
Nr.8 (x4)

L = 197 cm



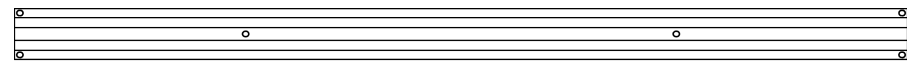
L = 36 cm

Nr.8-1 (x4)



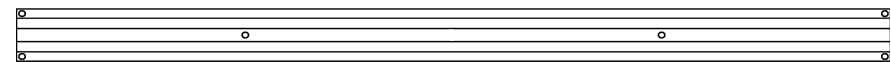
Nr.9 (x4)

L = 90 cm



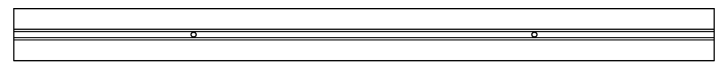
Nr.10 (x5)

L = 98,5 cm



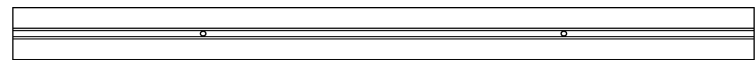
Nr.11 (x28)

L = 95,5 cm



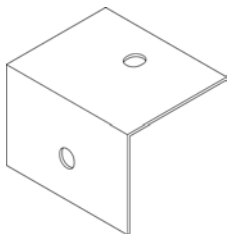
Nr.12a (x4)

L = 99 cm

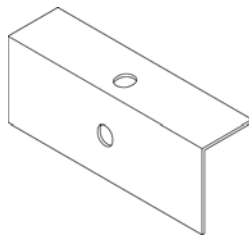


Nr.12b (x4)

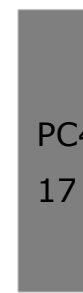
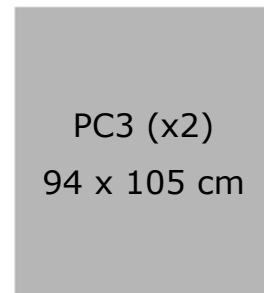
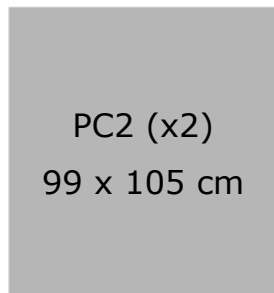
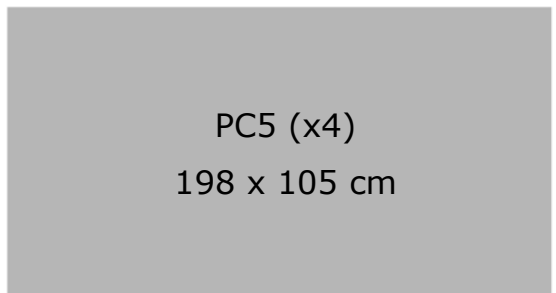
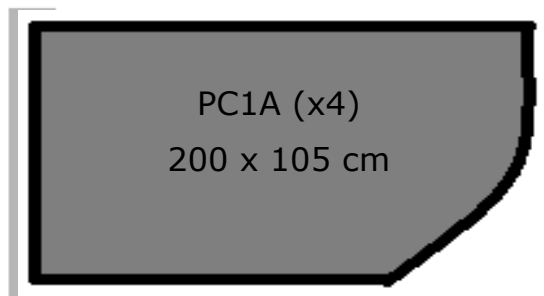
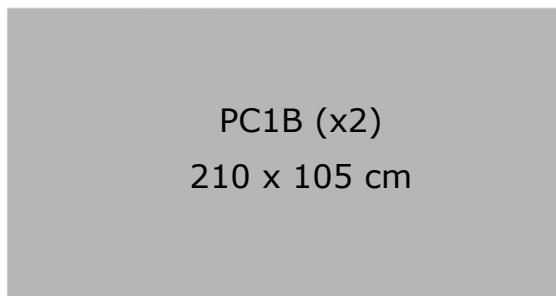
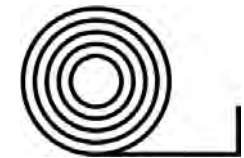
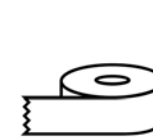
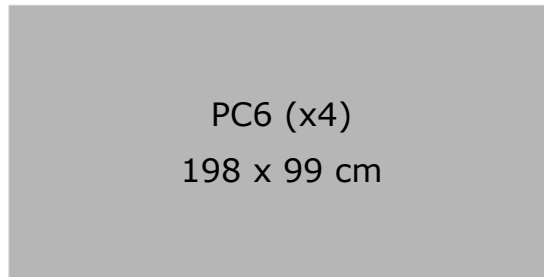
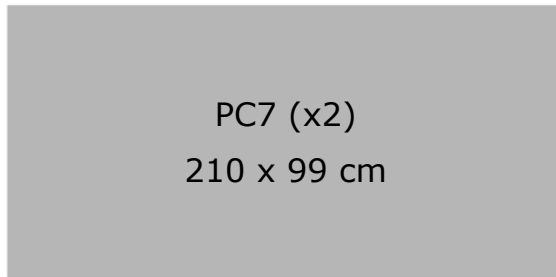
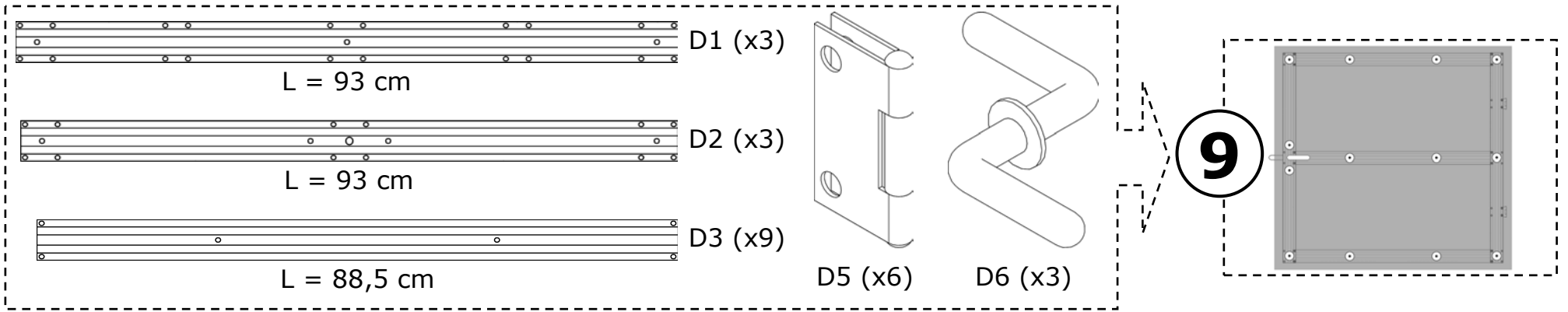
L = 105 cm

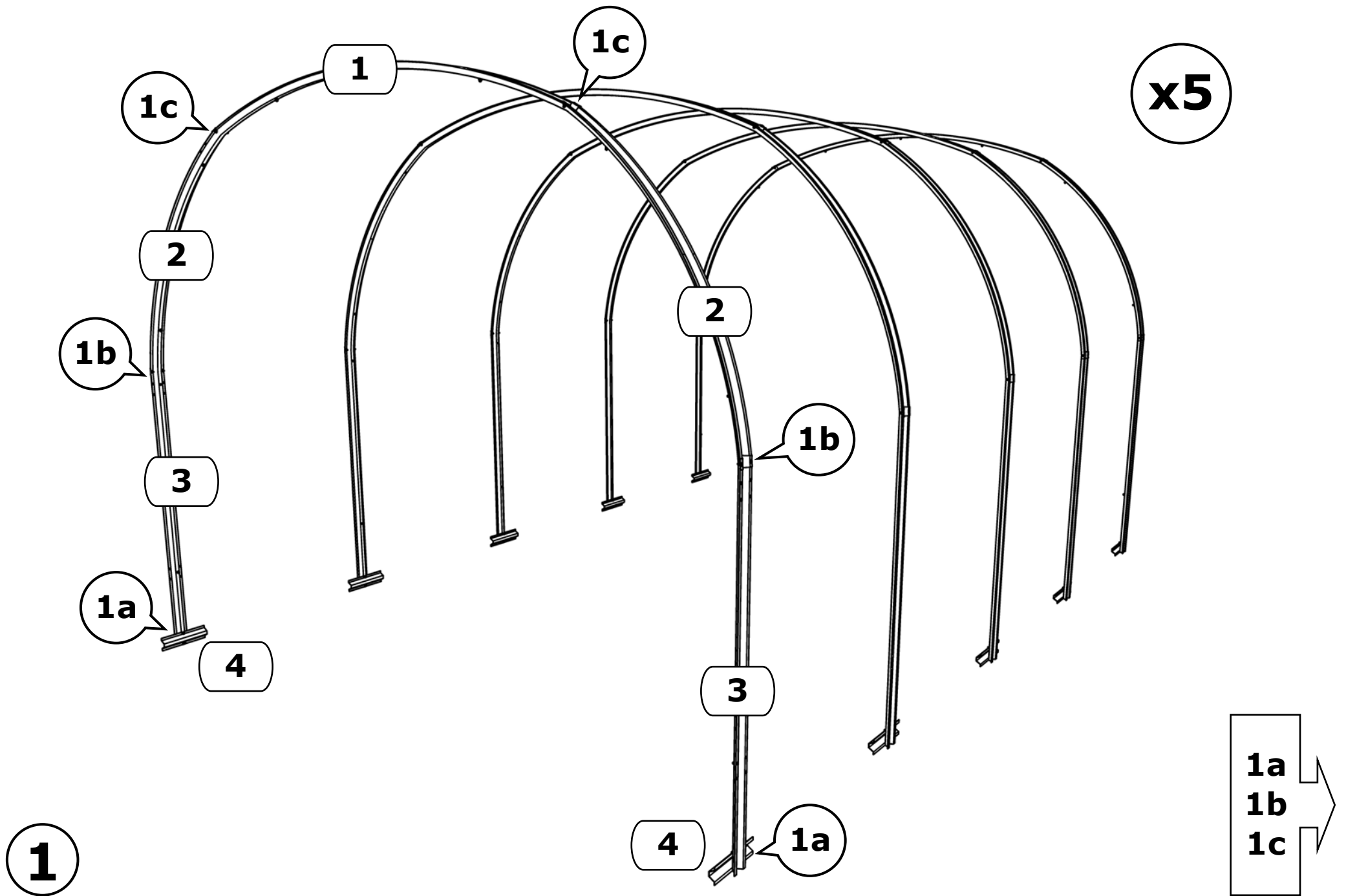


K1 (x6)

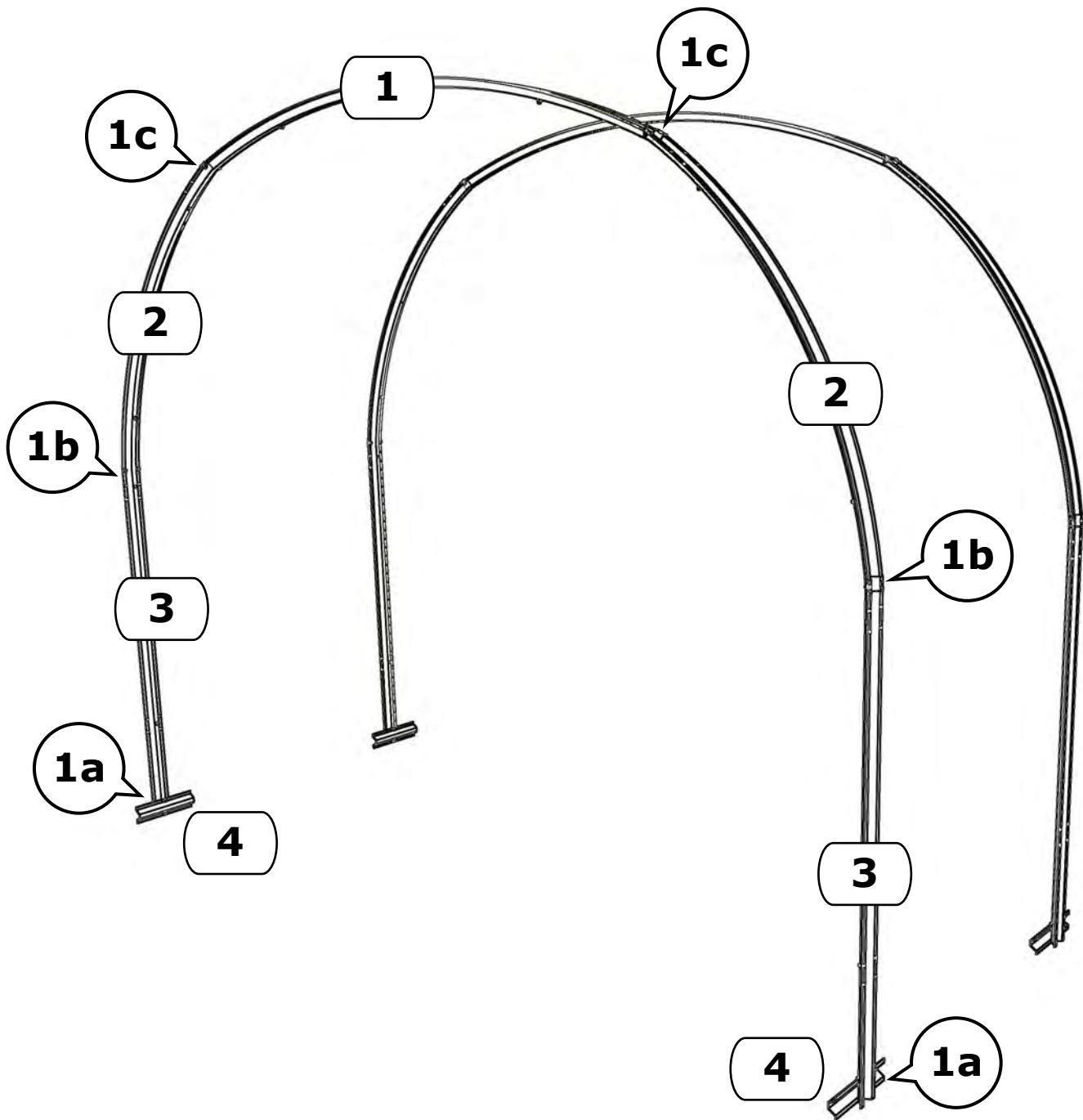


K2 (x12)

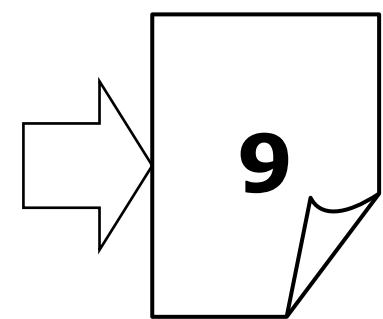




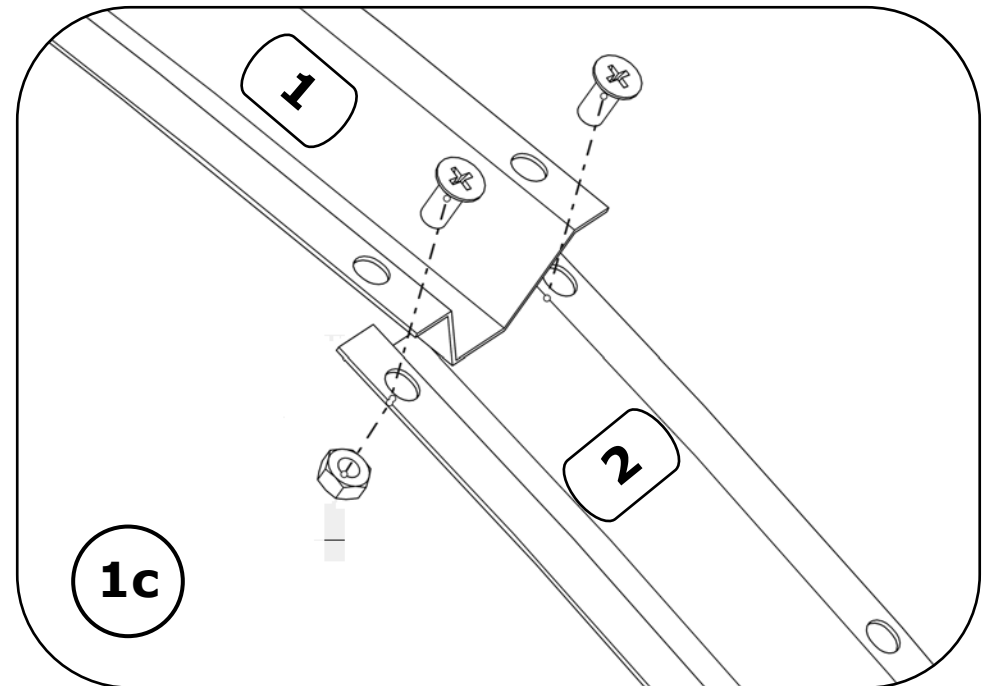
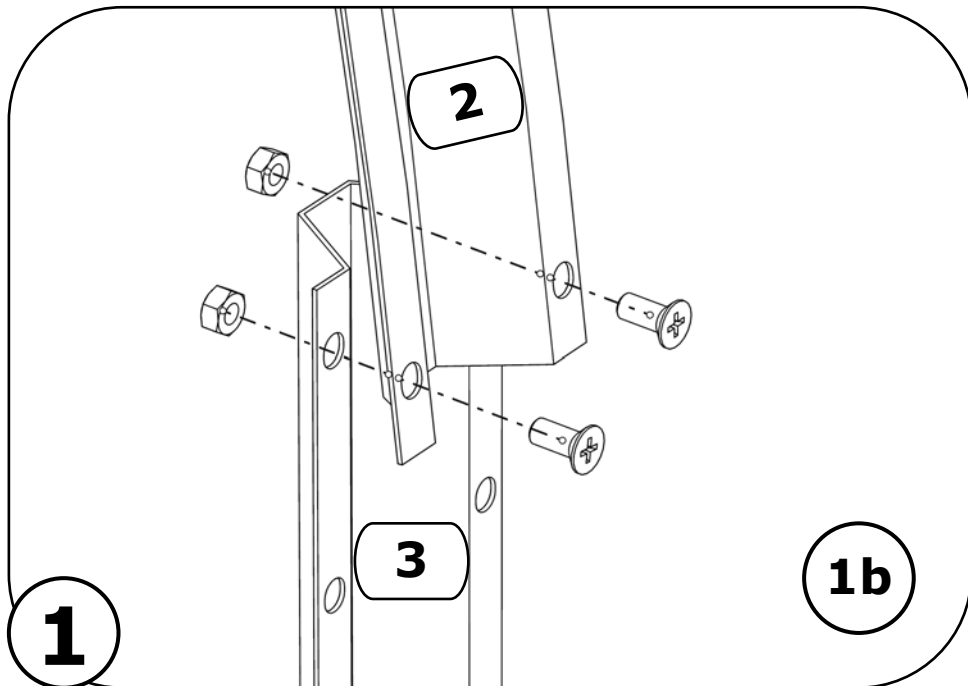
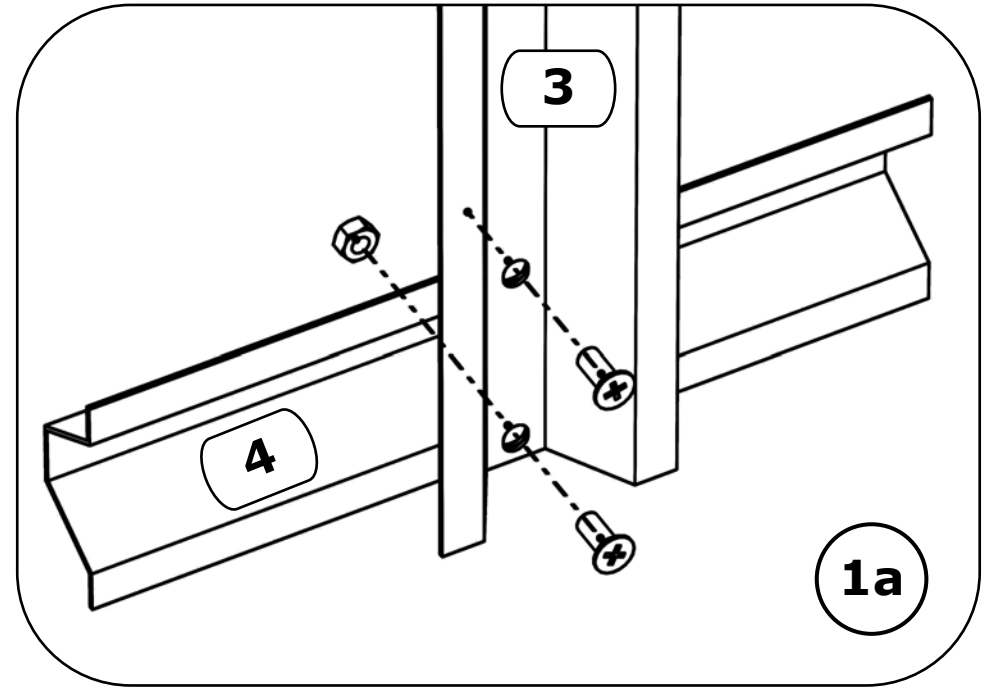
****PERFORM IF YOU HAVE EXTENSION, IF NOT, PROCEED TO NEXT PAGE****



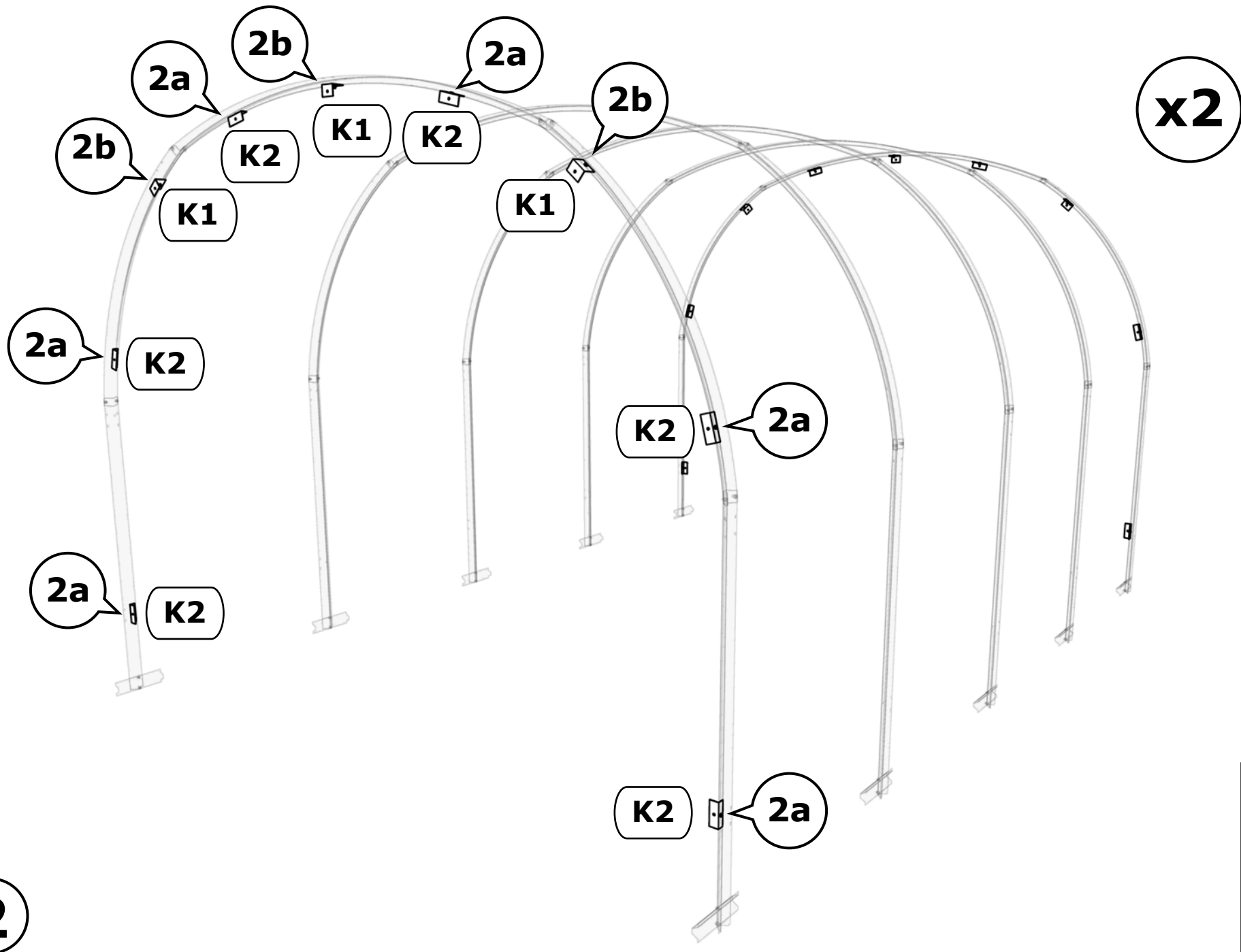
1 ext - x1
2 ext - x2
3 ext - x3



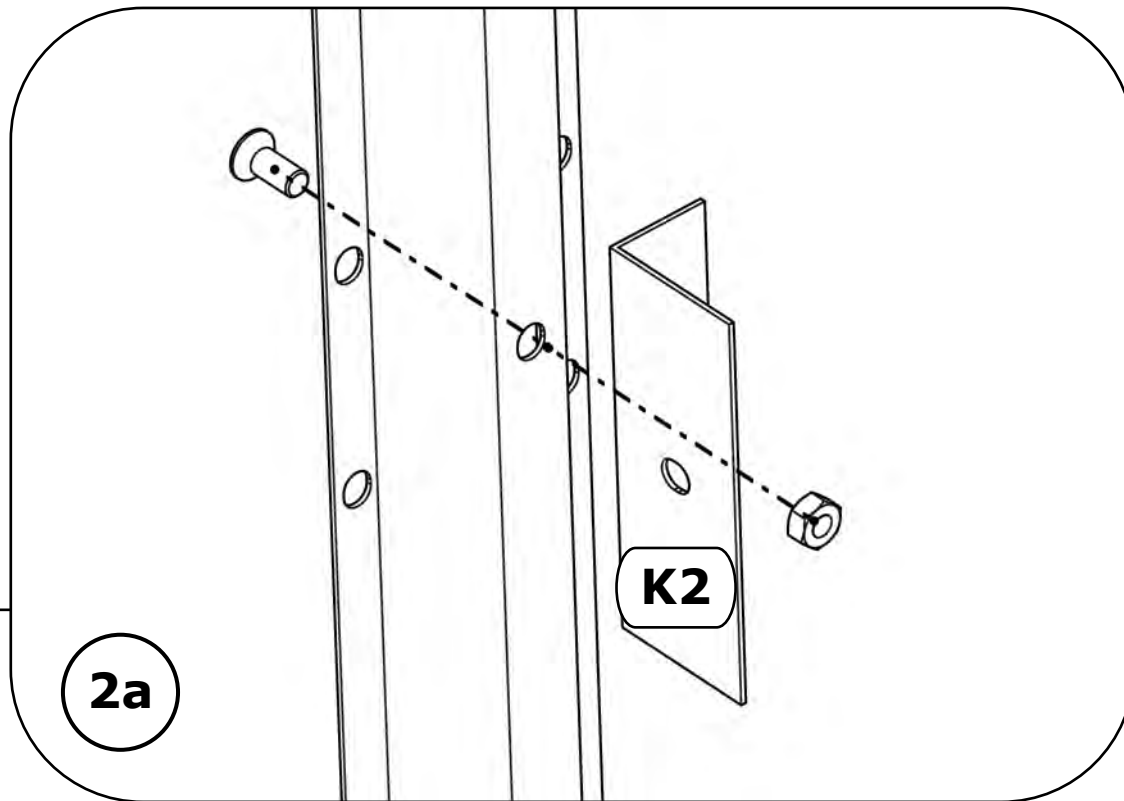
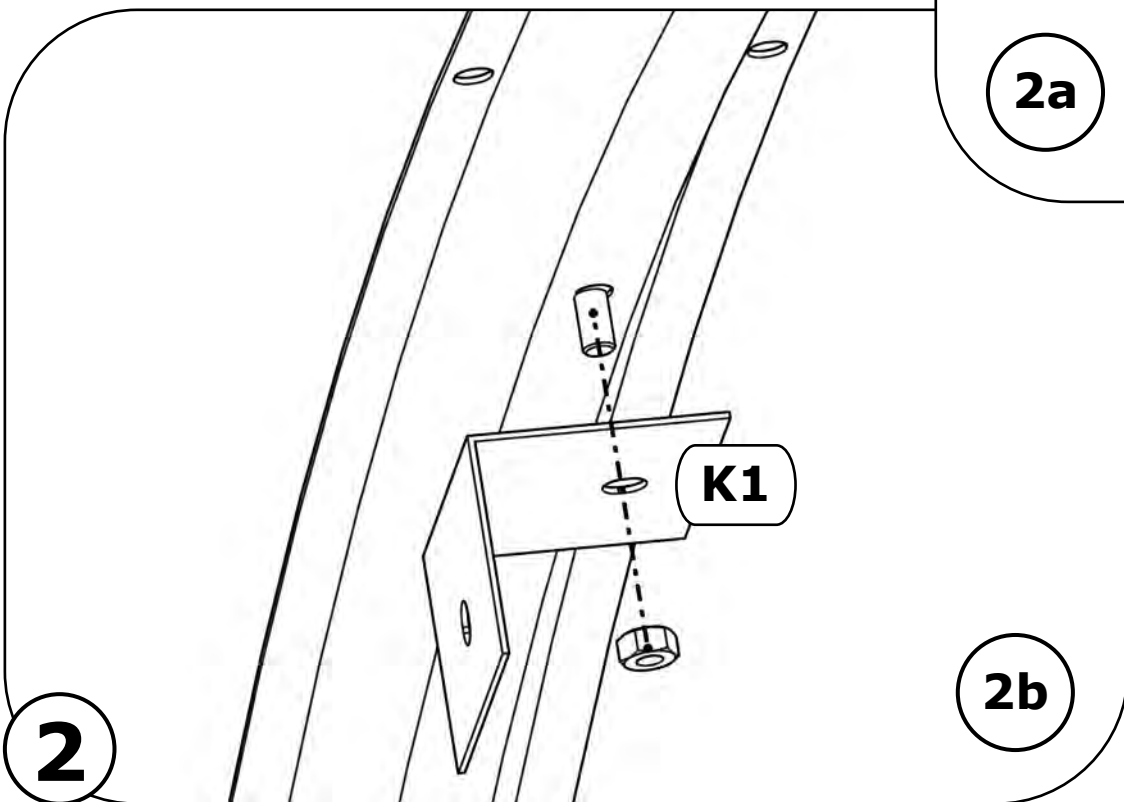
Piece No.	Quantity			
	3 x 4 m	3 x 6 m	3 x 8 m	3 x 10 m
Nr.1	5	10	15	20
Nr.2	10	20	30	40
Nr.3	10	20	30	40
Nr.4	10	20	30	40
Screws M5 x 12				
Washers M5				



2

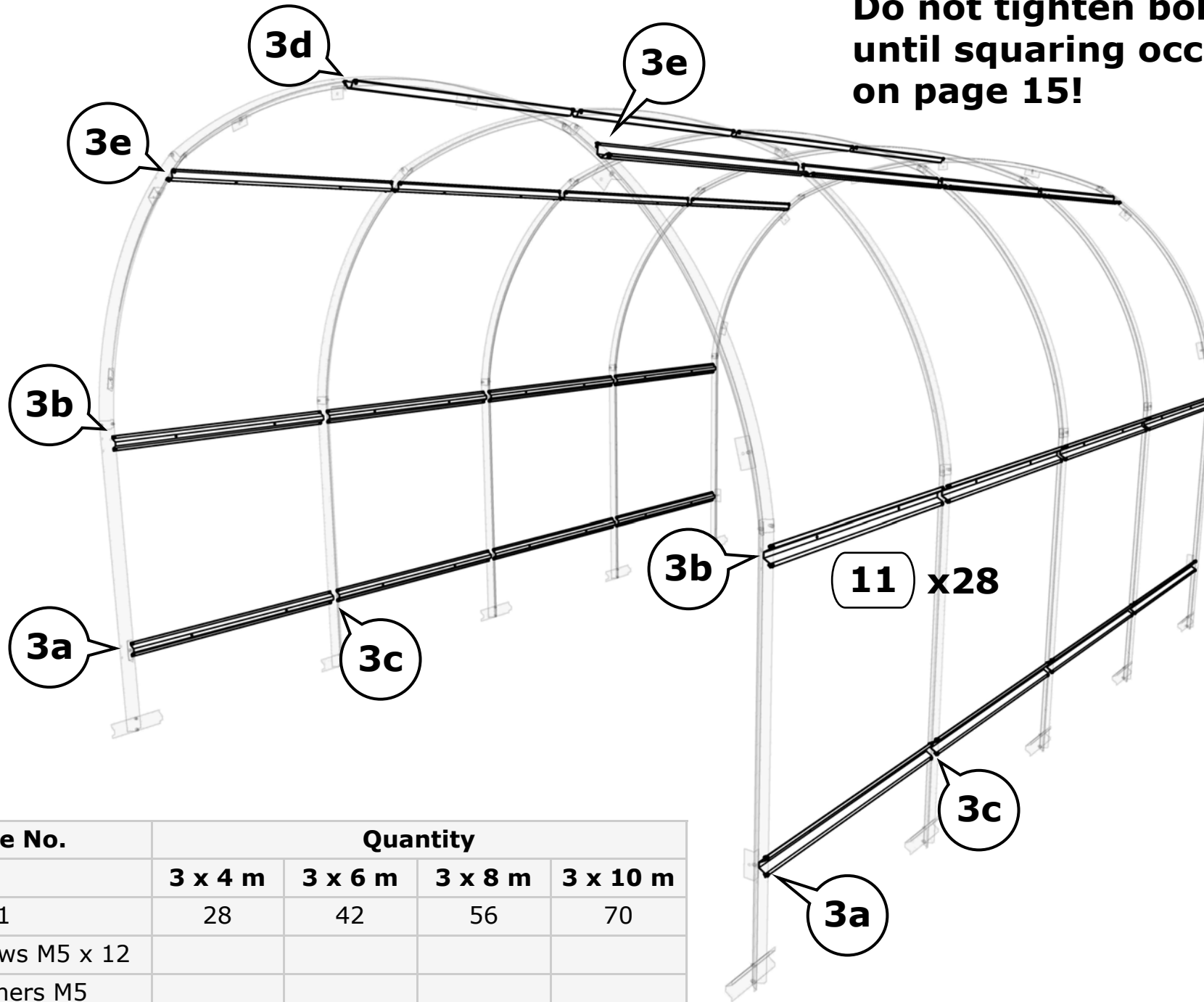


Piece No.	Quantity
K1	6
K2	12
Screws M5 x 12	
Washers M5	

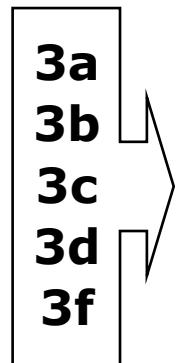


Do not tighten bolts until squaring occurs on page 15!

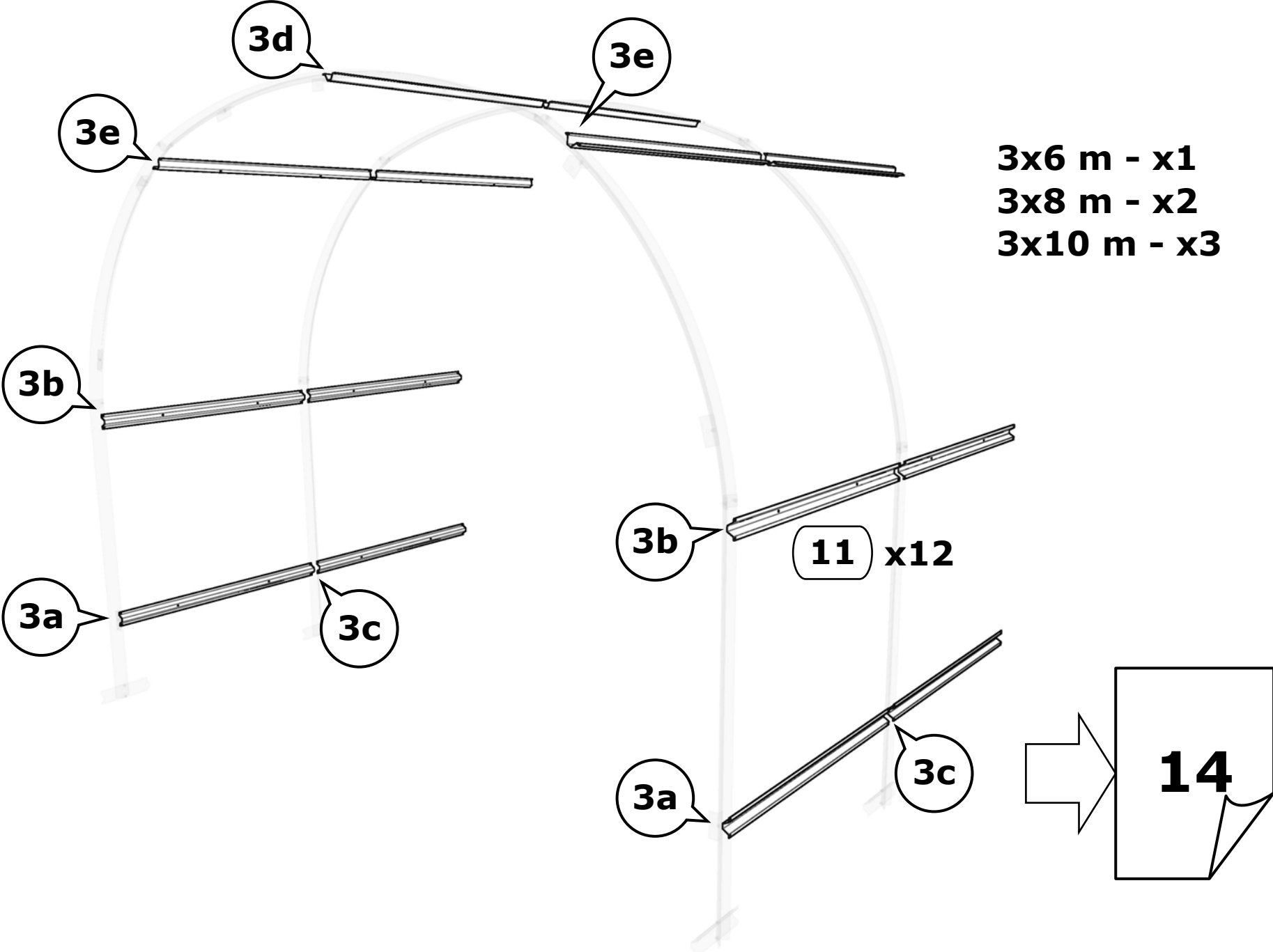
3

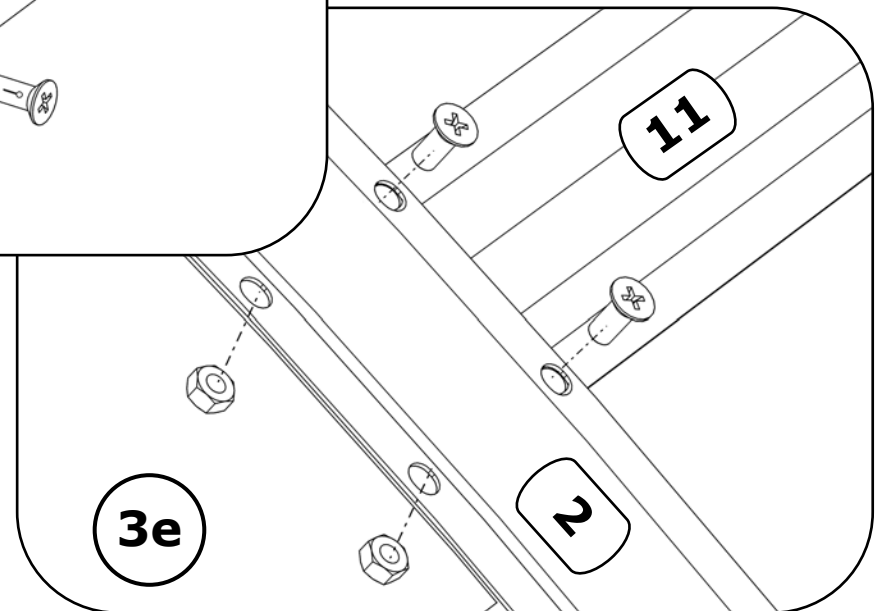
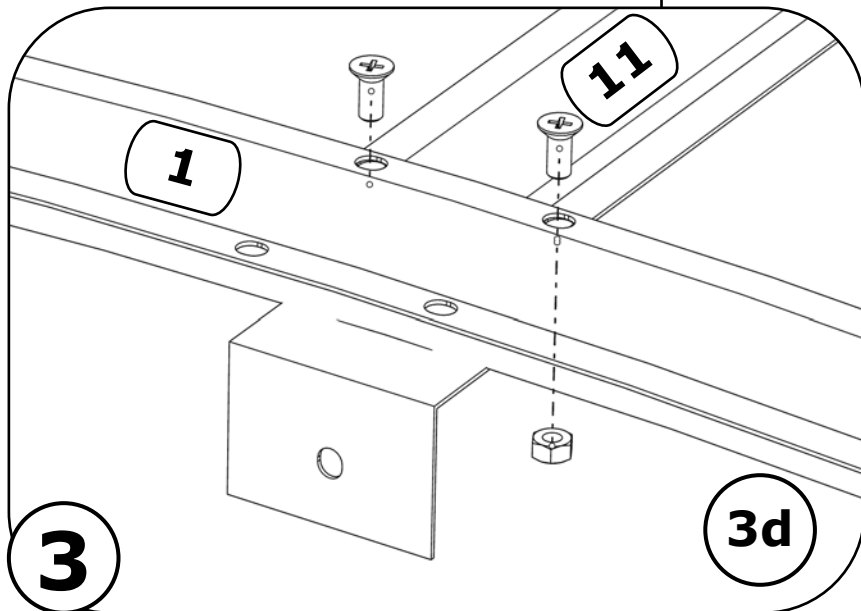
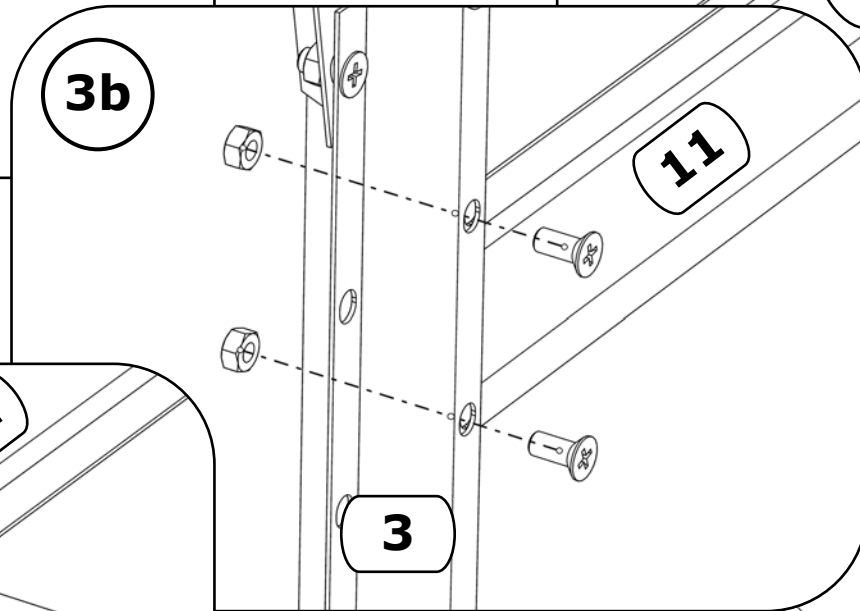
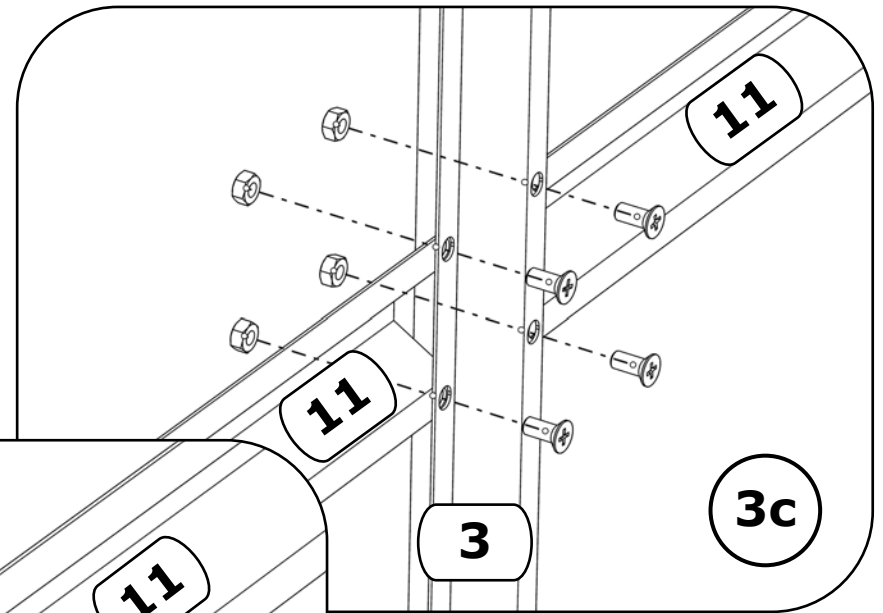
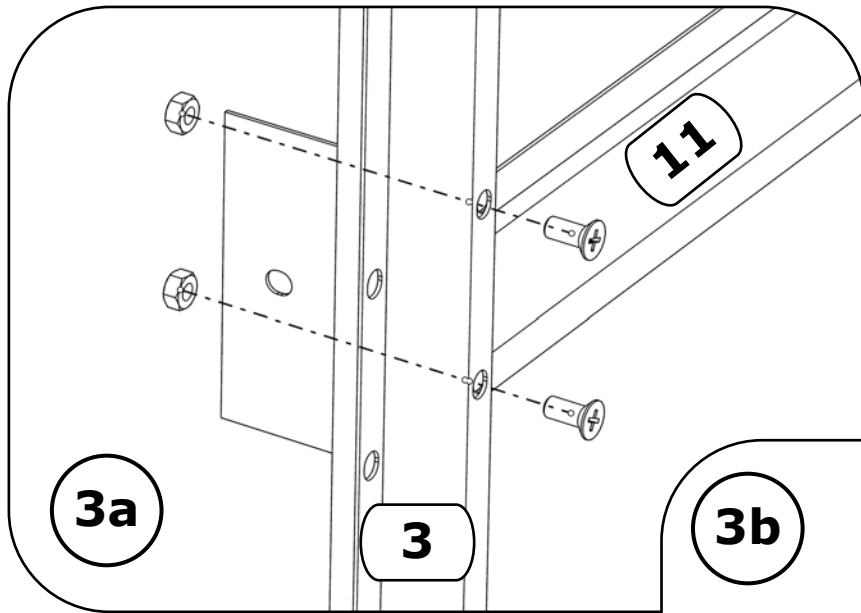


Piece No.	Quantity			
	3 x 4 m	3 x 6 m	3 x 8 m	3 x 10 m
Nr.11	28	42	56	70
Screws M5 x 12				
Washers M5				

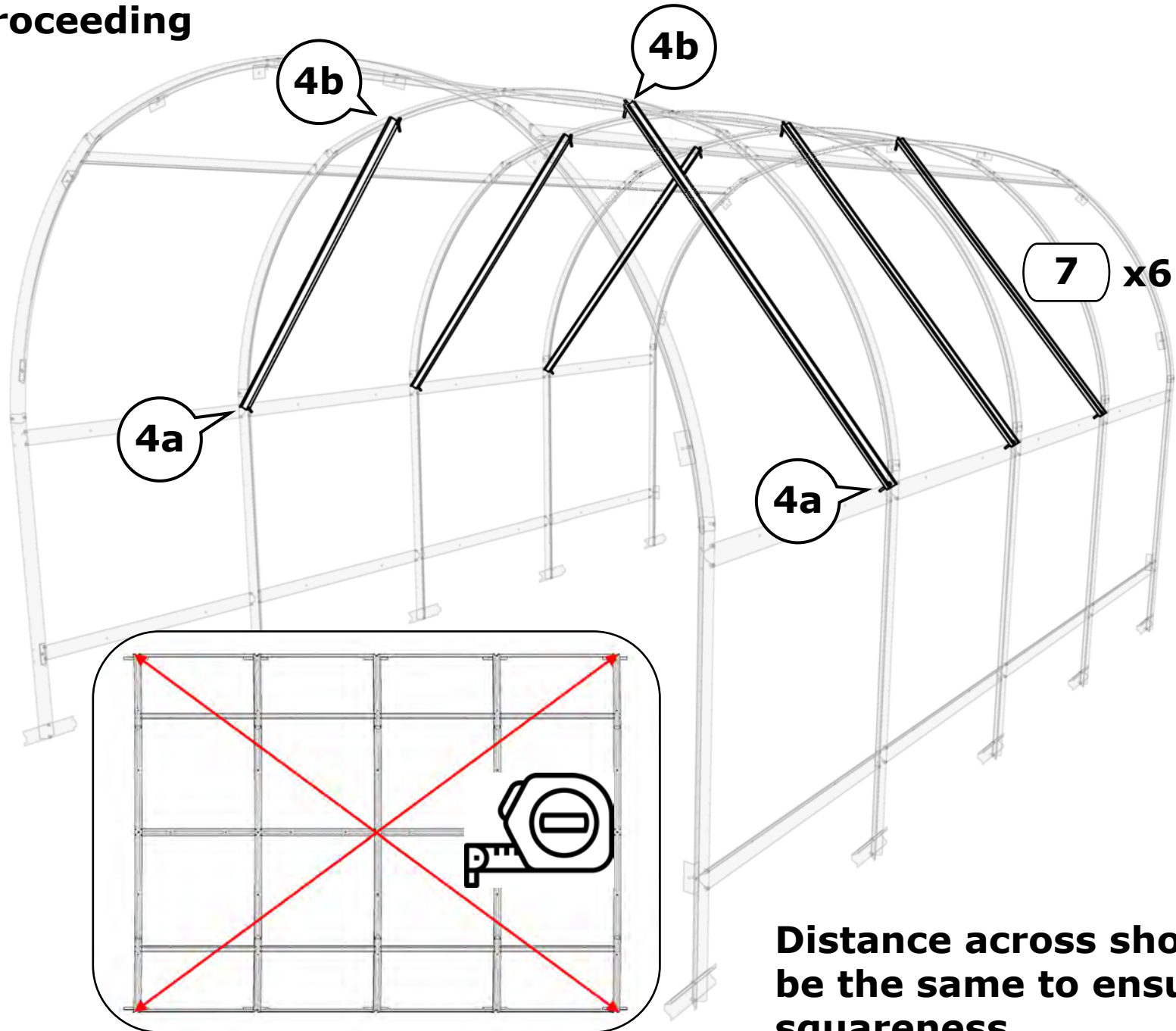


****PERFORM IF YOU HAVE EXTENSION, IF NOT, PROCEED TO NEXT PAGE****



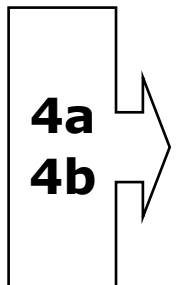


**Measure corner to corner
to square greenhouse
before proceeding**

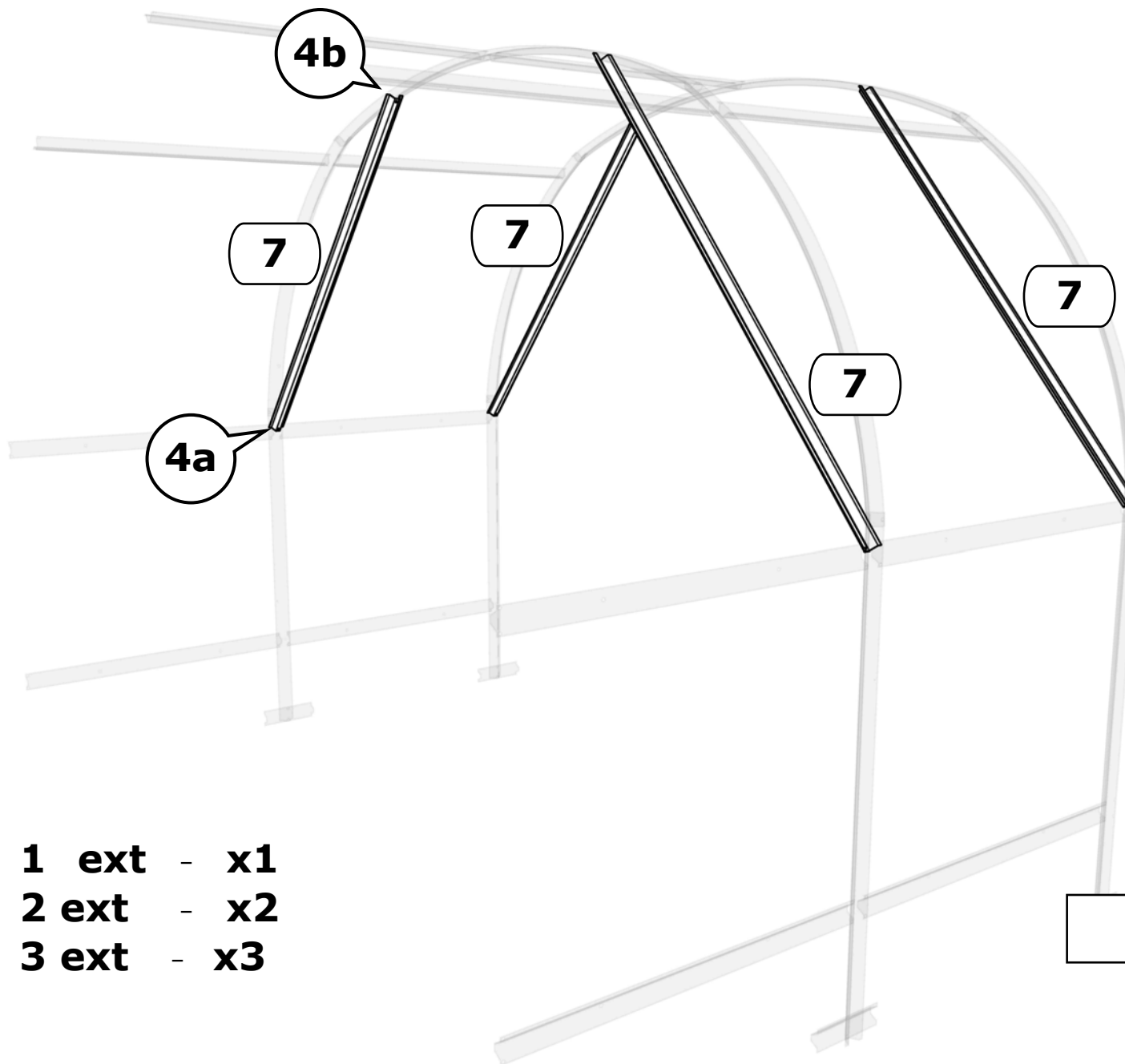


4

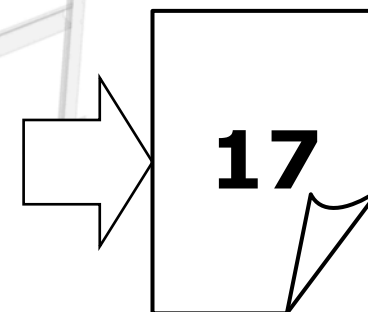
**Distance across should
be the same to ensure
squareness**



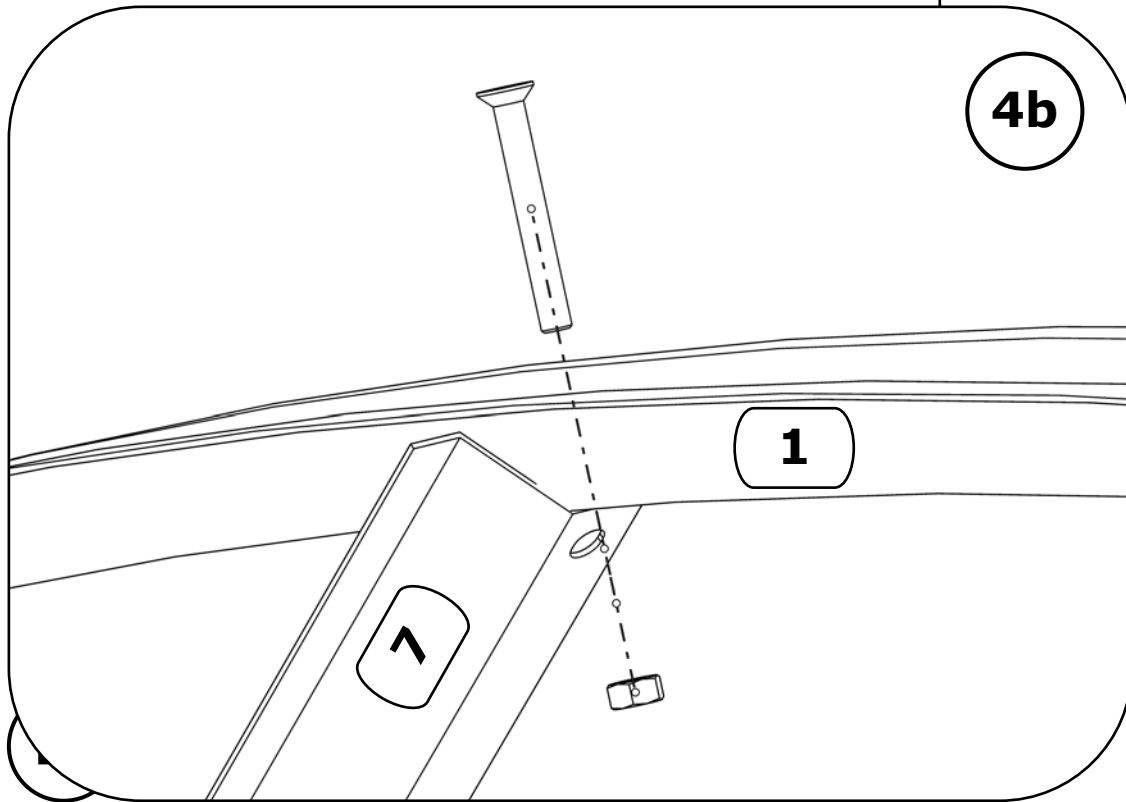
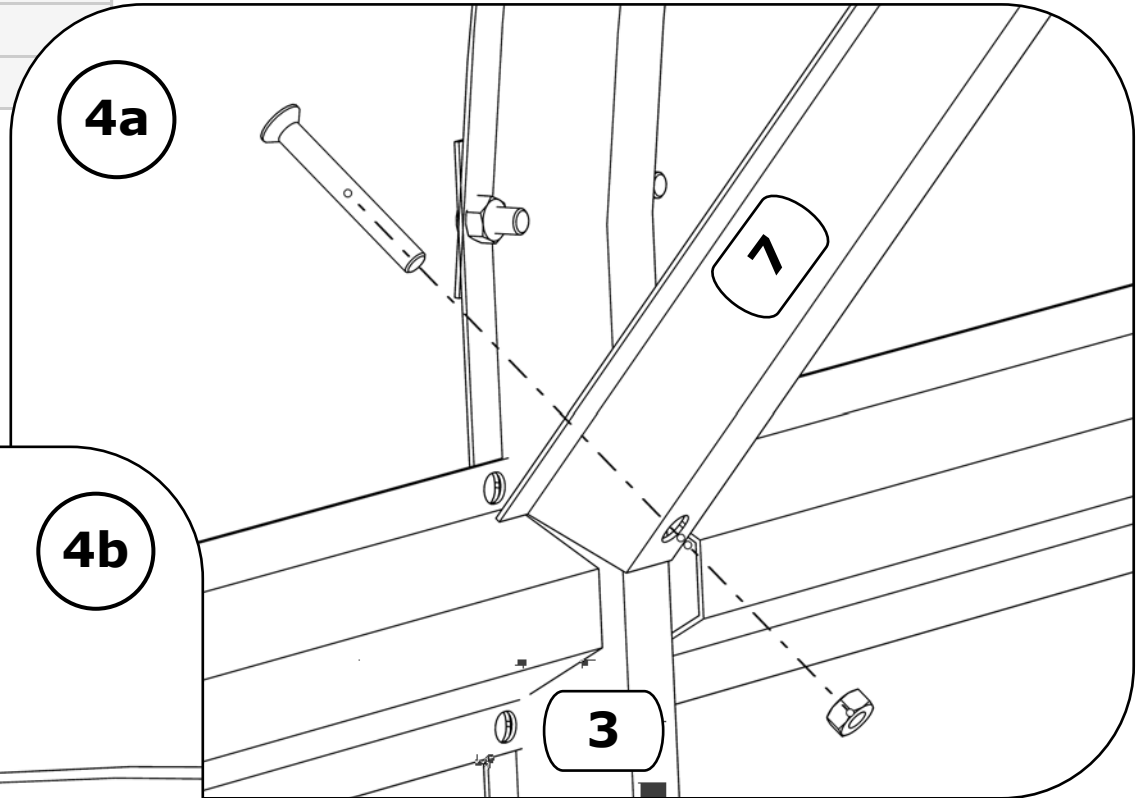
****PERFORM IF YOU HAVE EXTENSION, IF NOT, PROCEED TO NEXT PAGE****

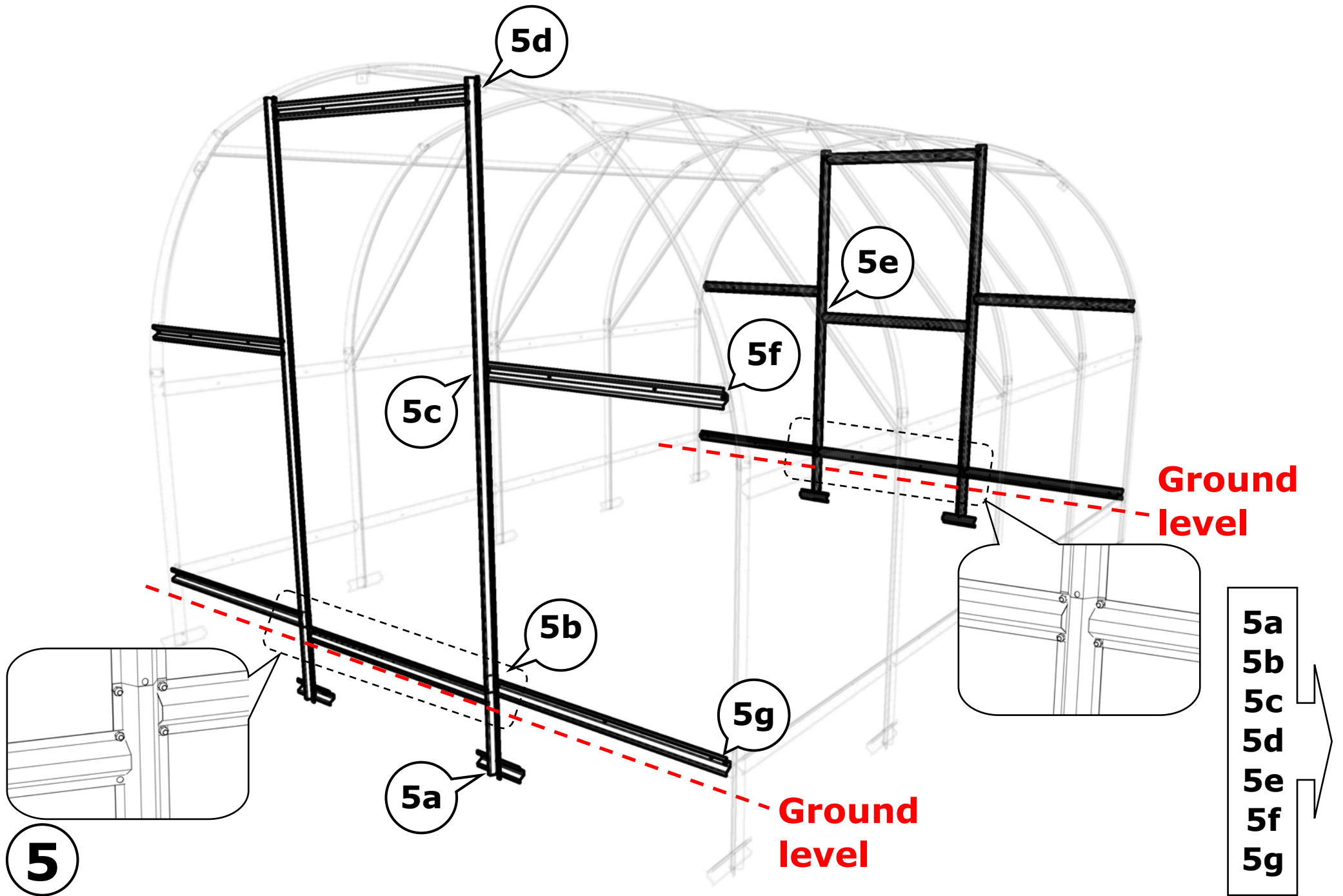


1 ext - x1
2 ext - x2
3 ext - x3

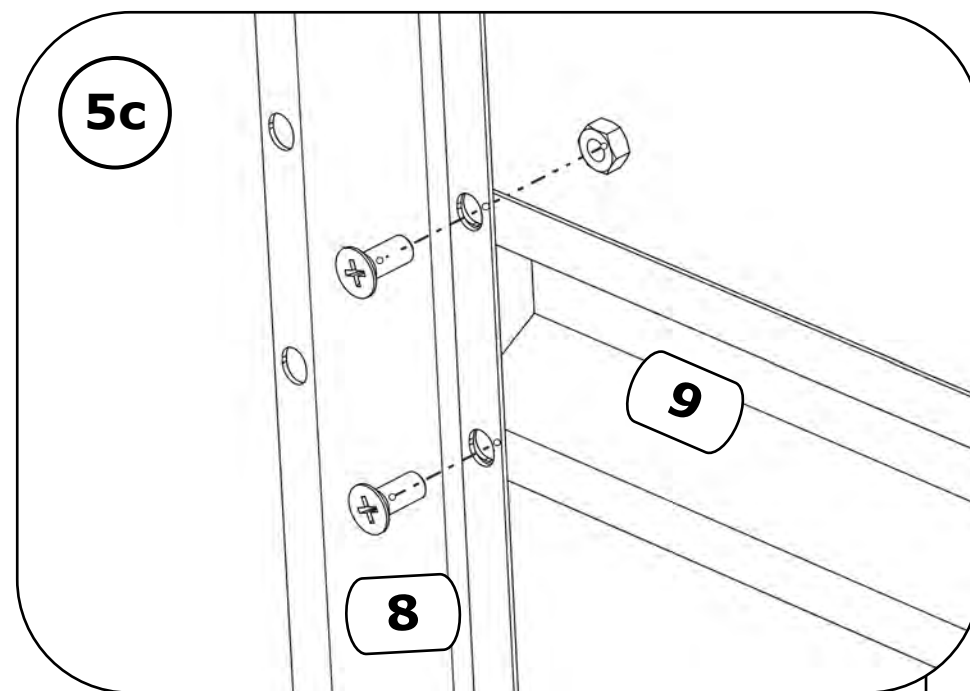
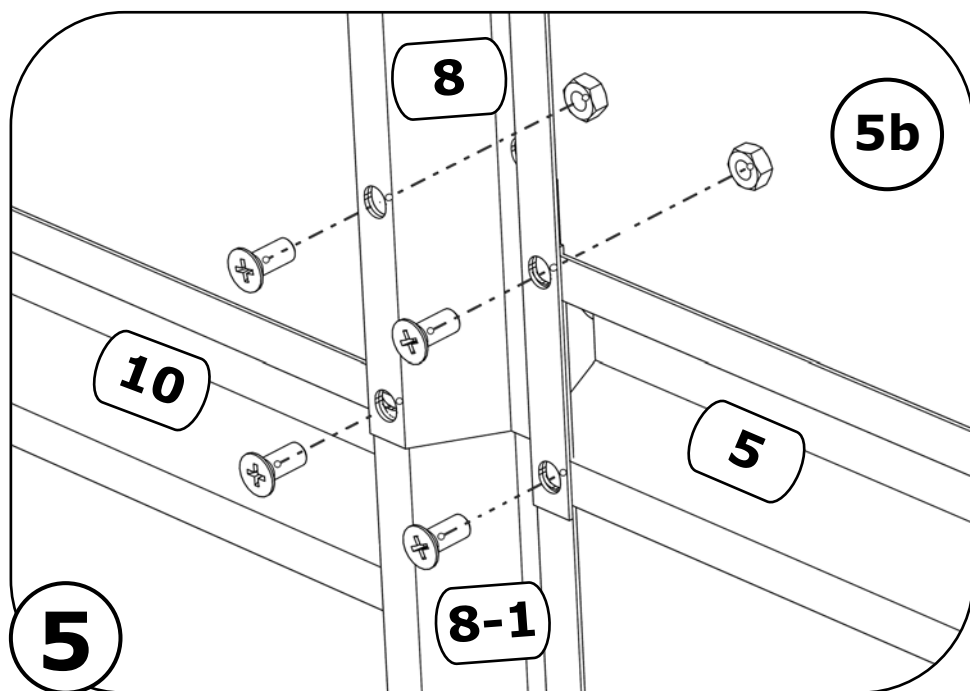
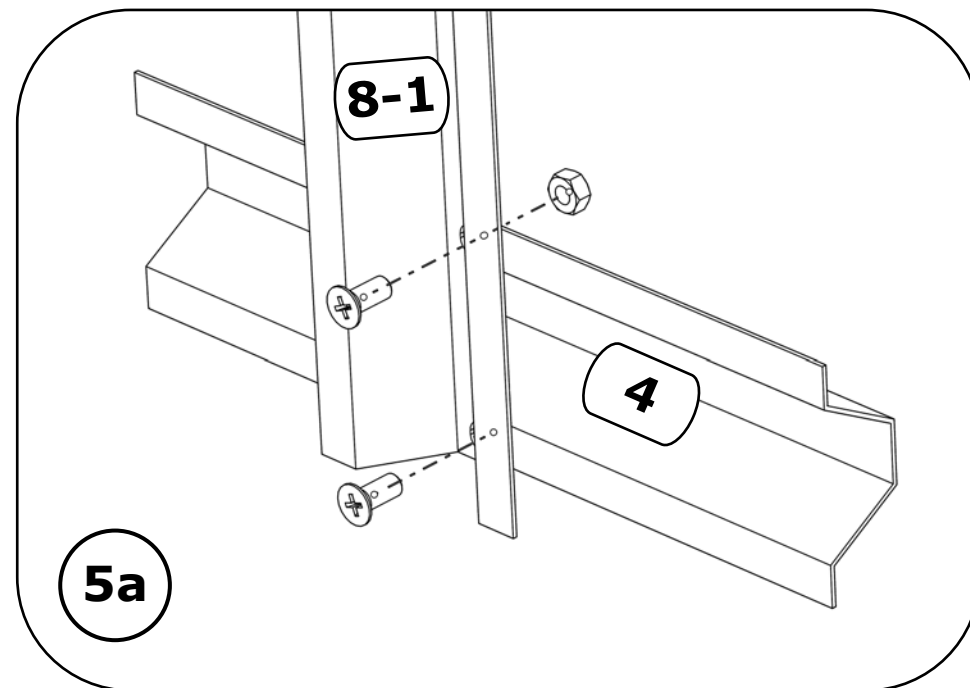


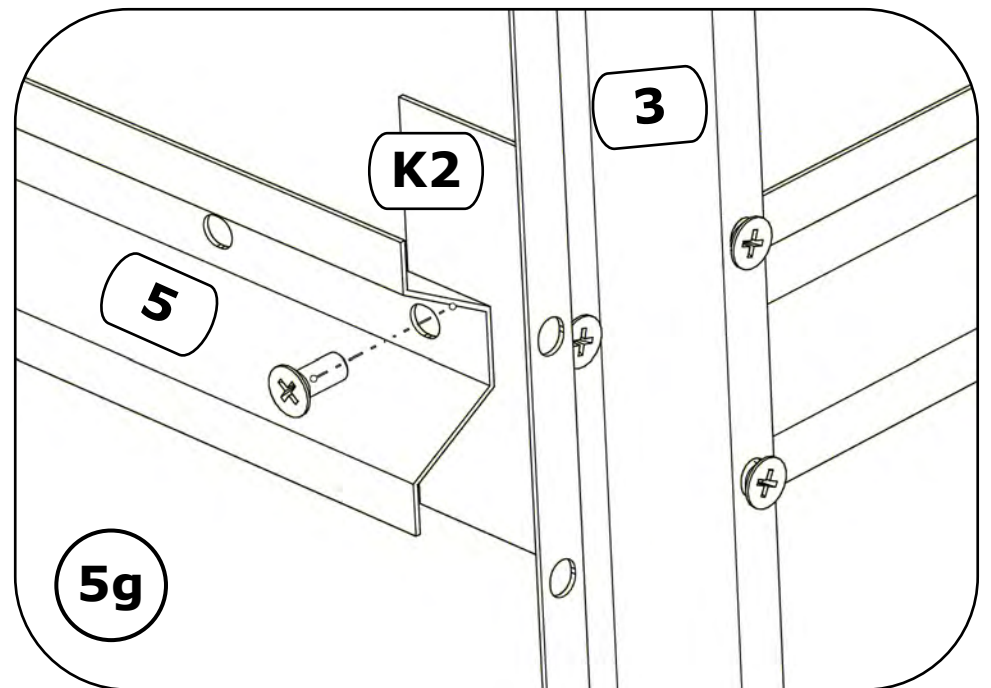
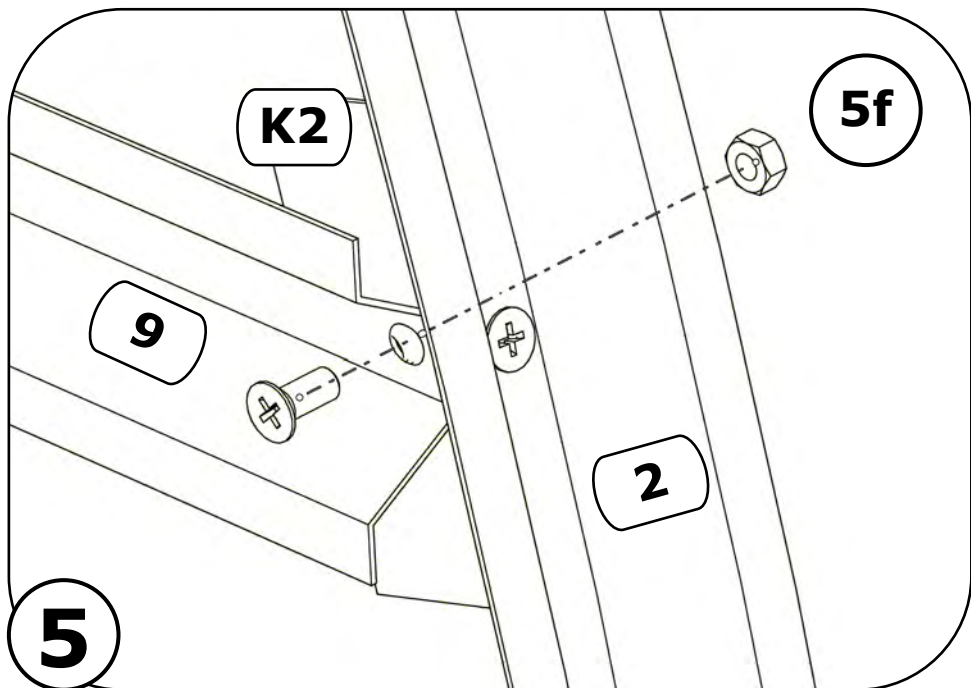
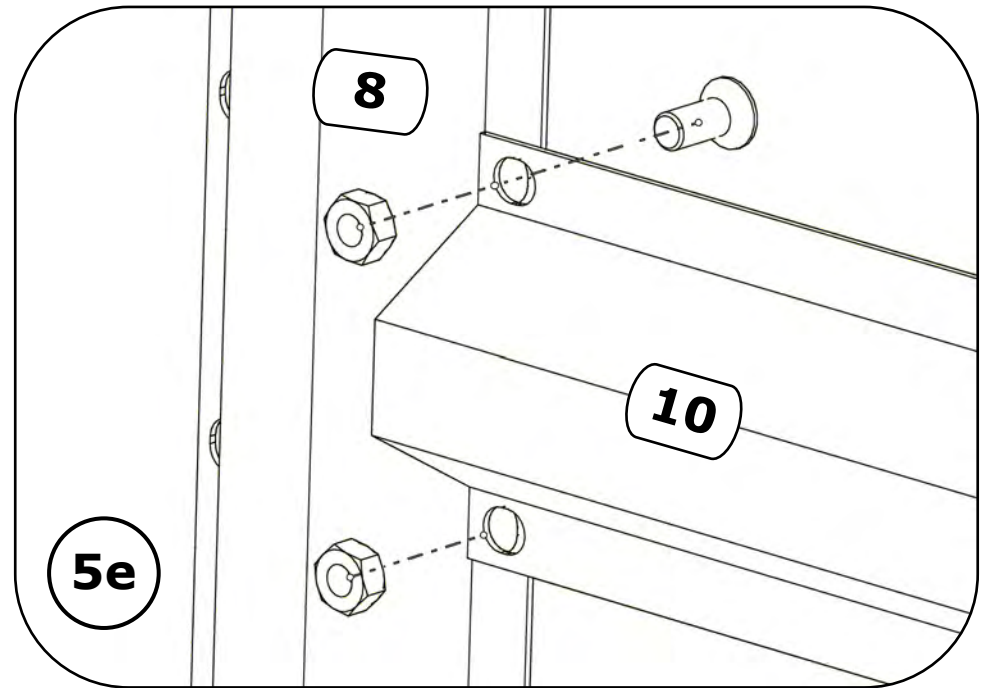
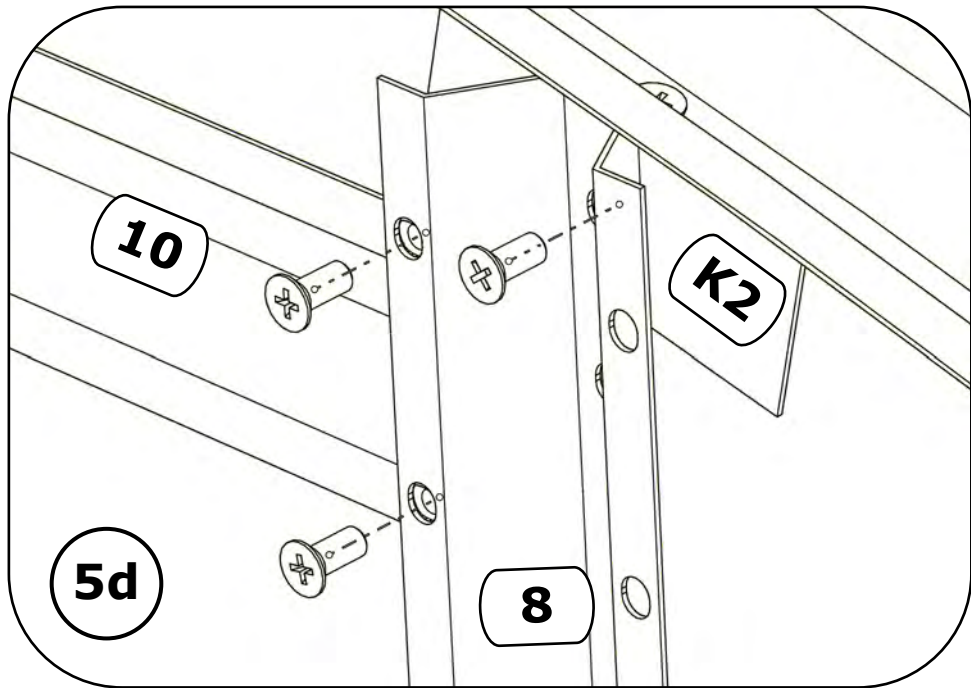
Piece No.	Quantity			
	3 x 4 m	3 x 6 m	3 x 8 m	3 x 10 m
Nr.7	6	10	14	18
Screws M5 x 40				
Washers M5				



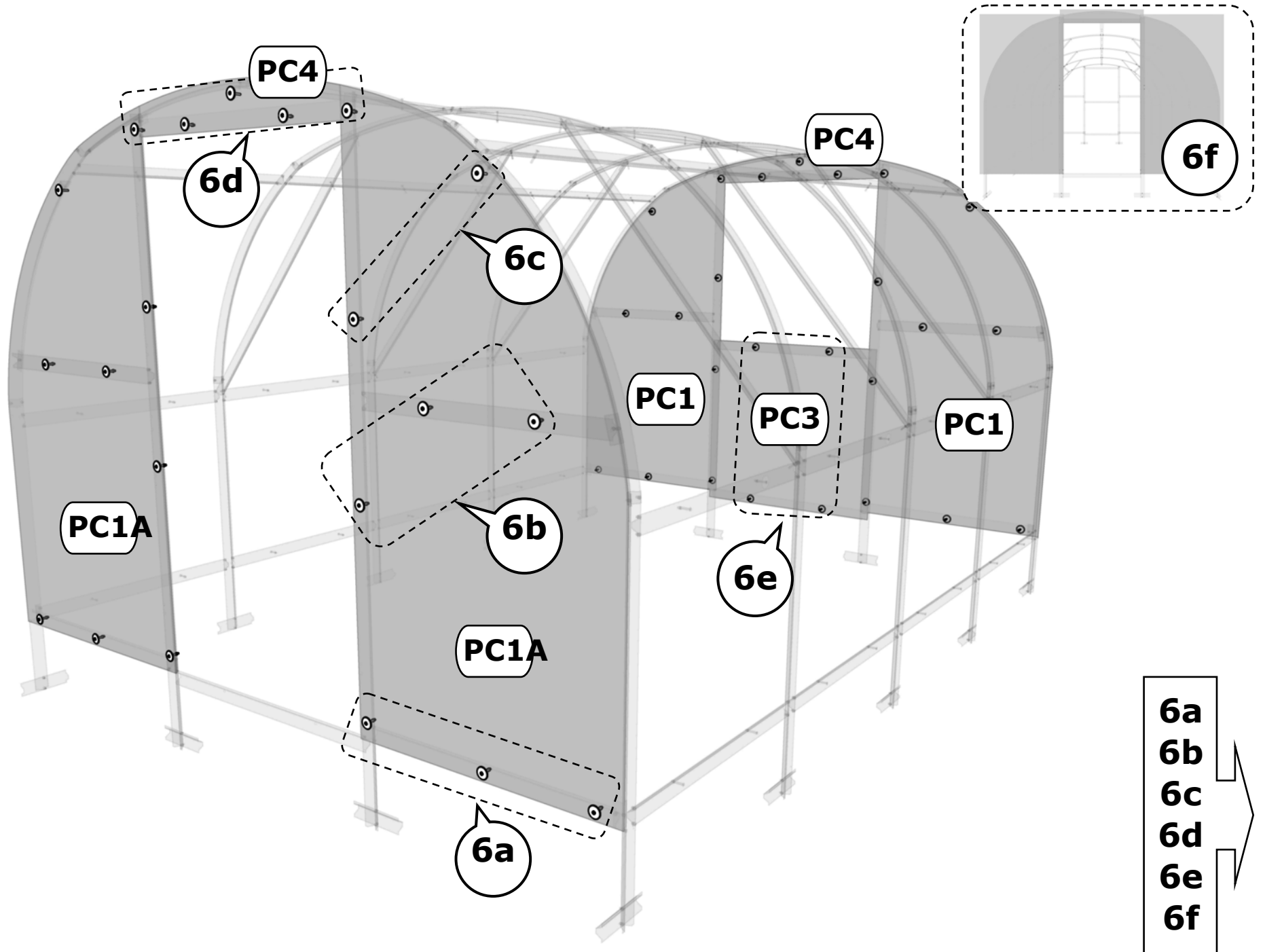


Piece No.	Quantity
Nr.4	4
Nr.5	4
Nr.8	4
Nr.8-1	4
Nr.9	4
Nr.10	5
Screws M5 x 12	
Washers M5	



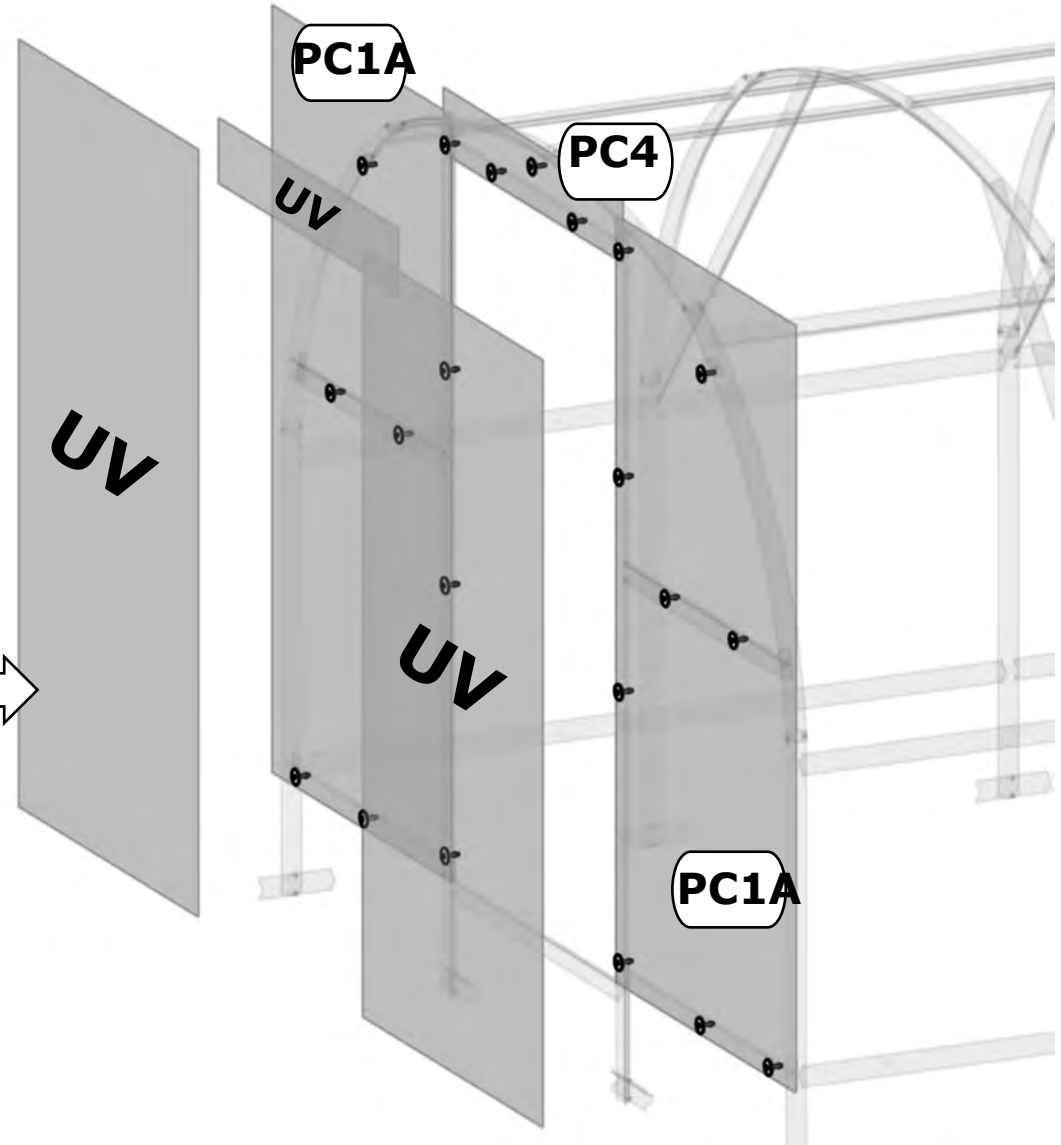
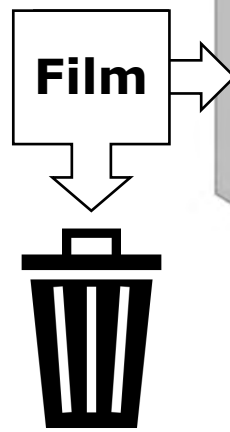
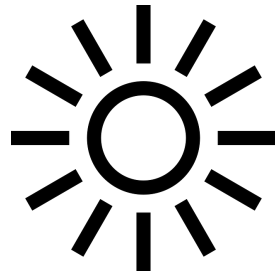


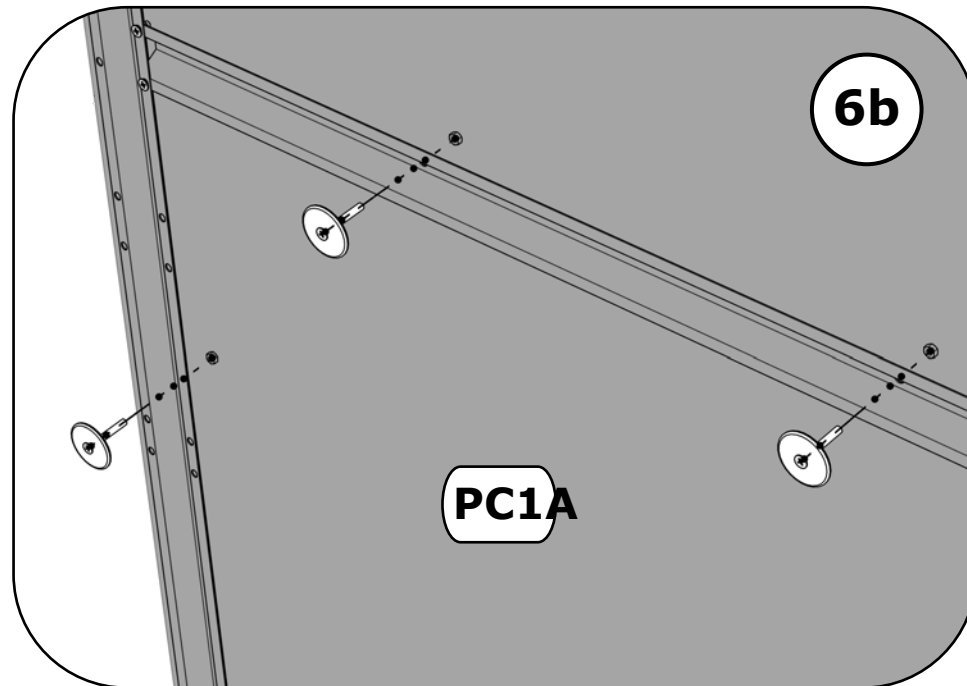
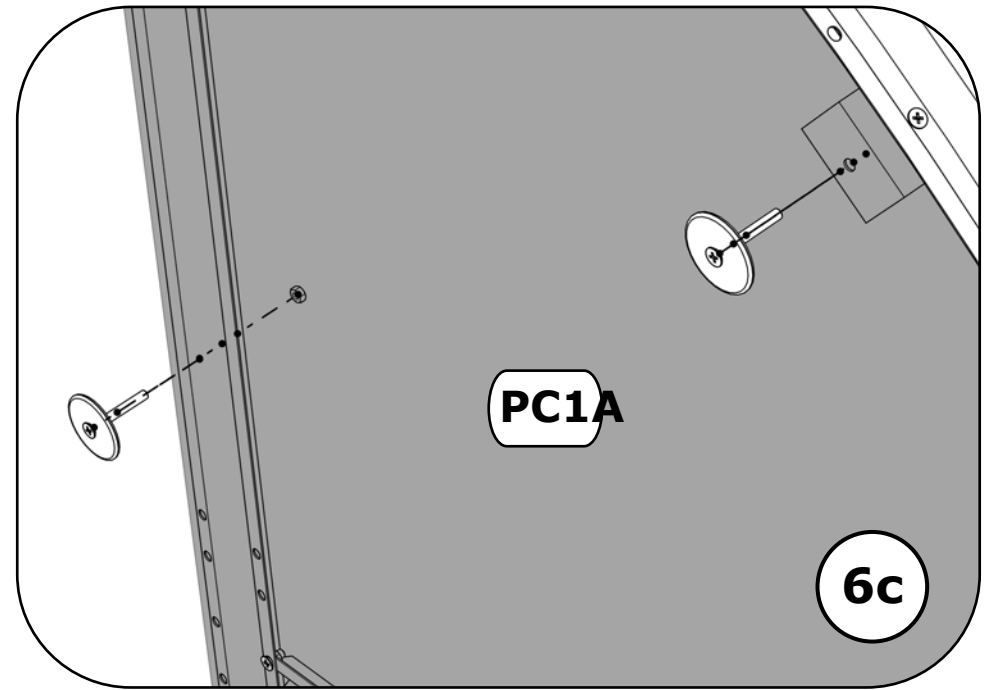
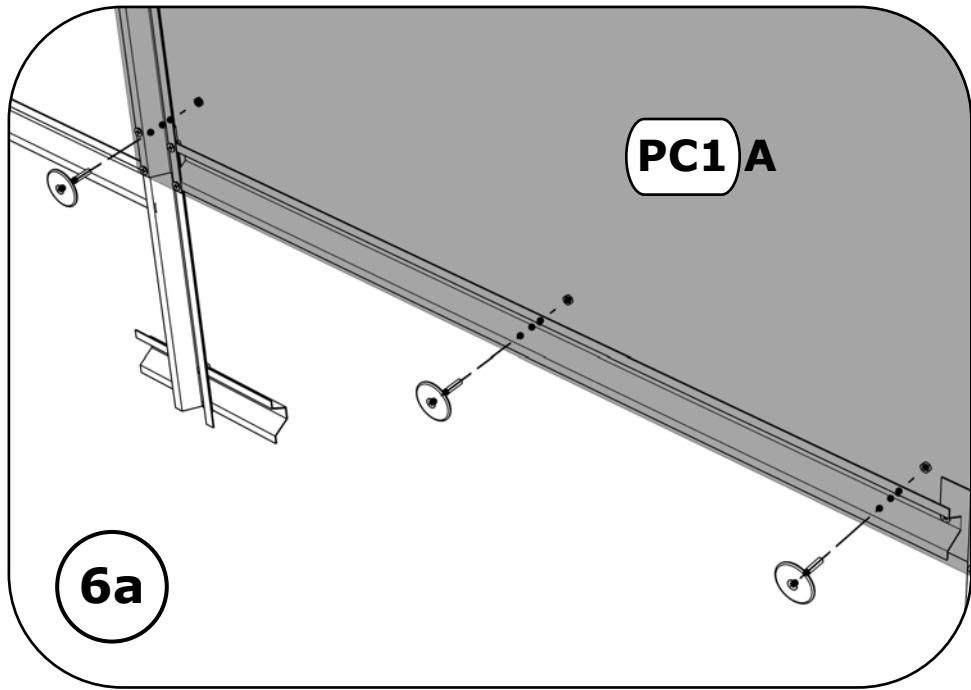
6



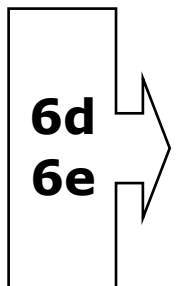
Piece No.	Quantity
PC1A	4
PC3	1
PC4	2
Screws M5 x 40	
Washers M5	
Gasket slides Ø40	

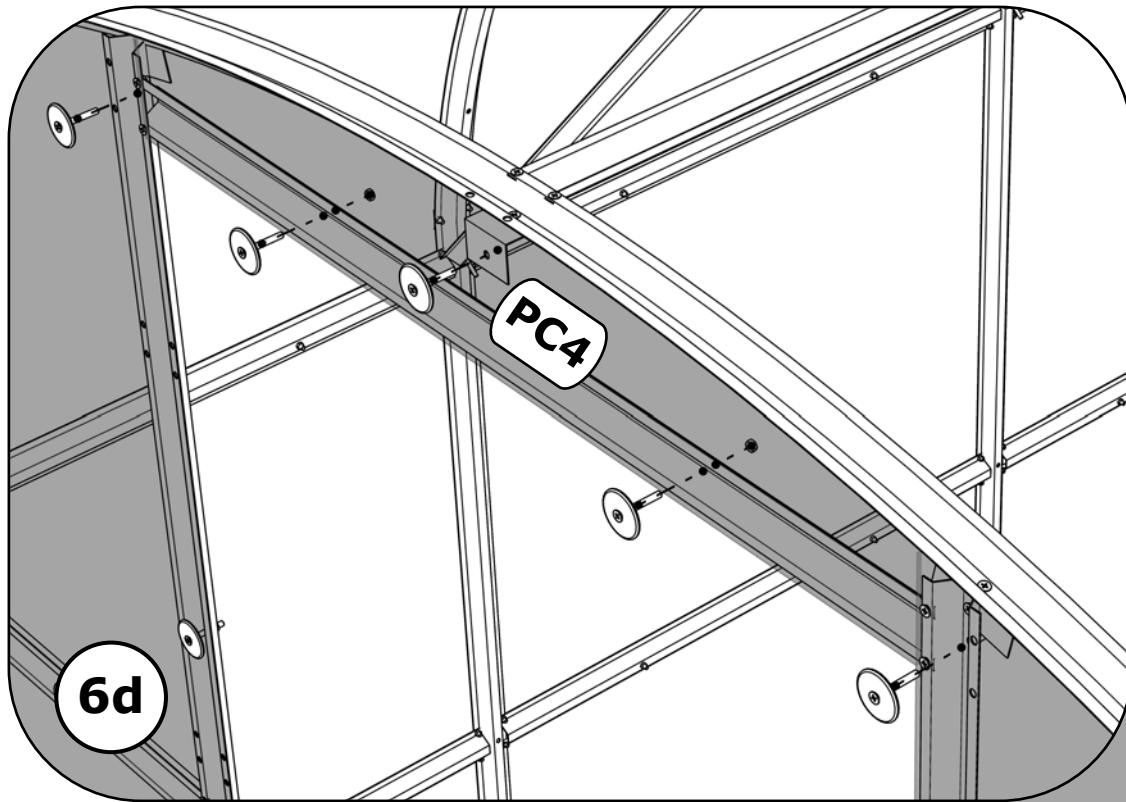
Screws M5 x 50 (for PC3)





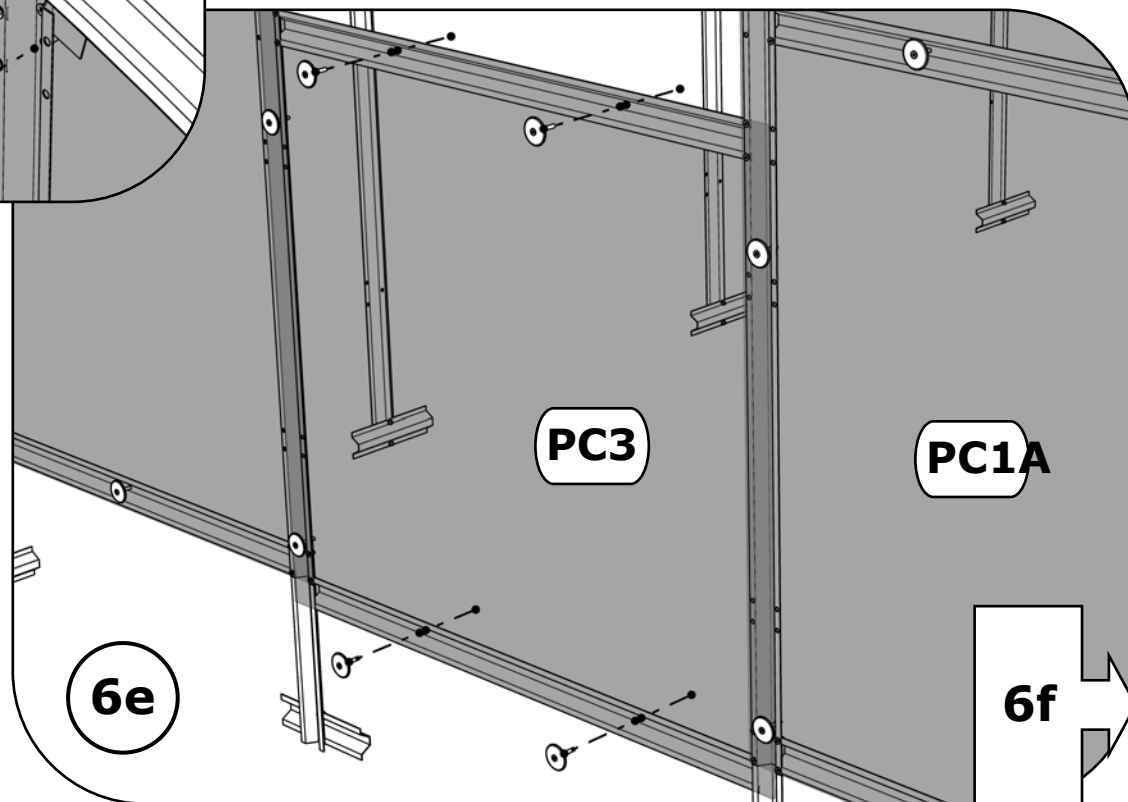
6





6d

6e - Use extended bolts (M5x50) in supplemental hardware on PC3 backside (this will allow washer to fit).

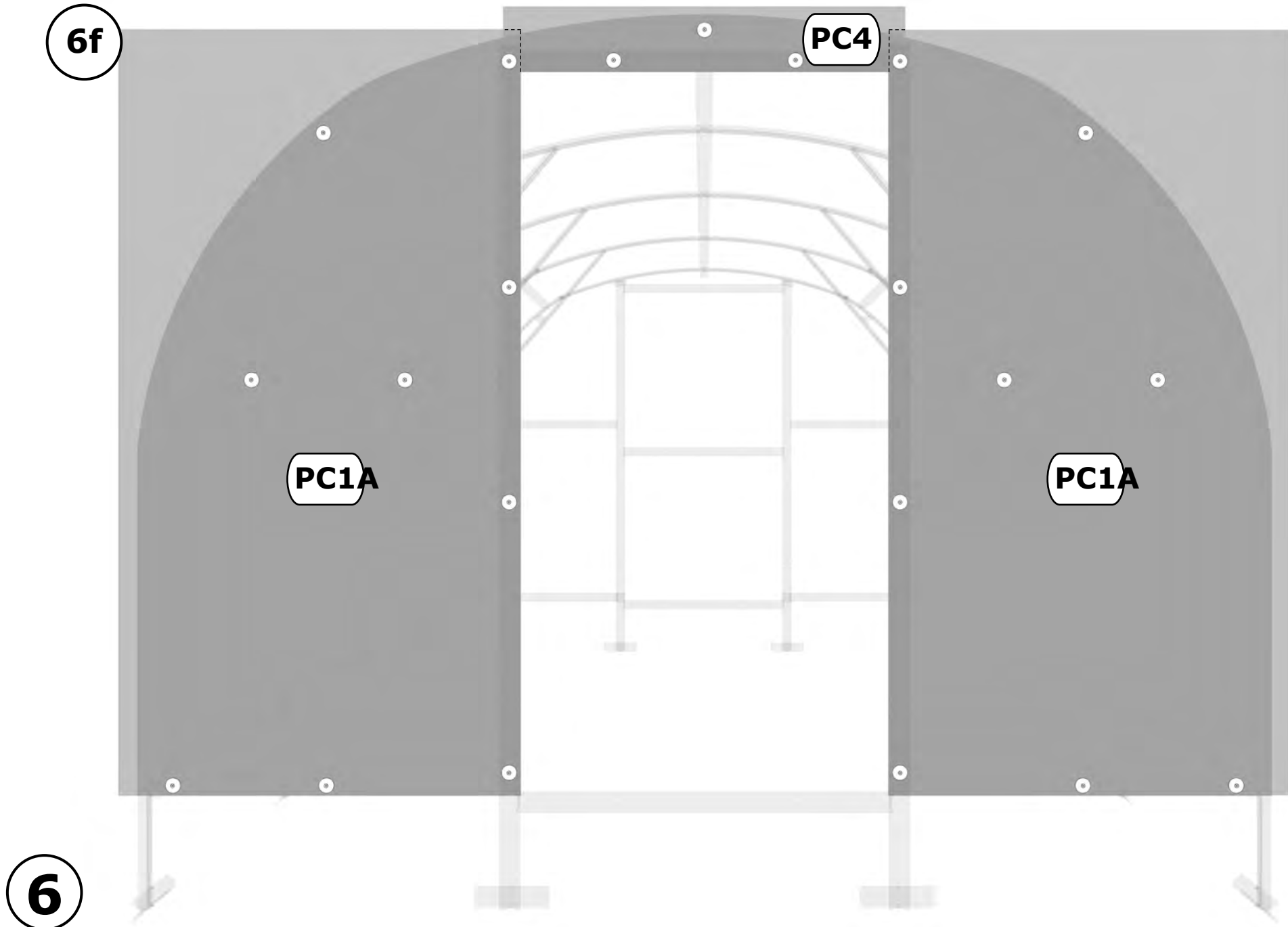


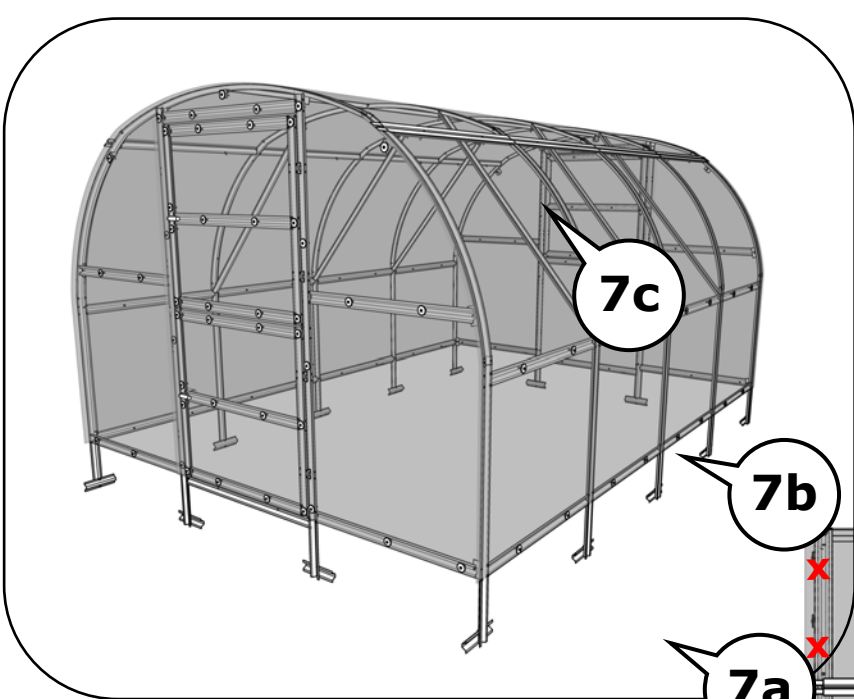
6e

6f

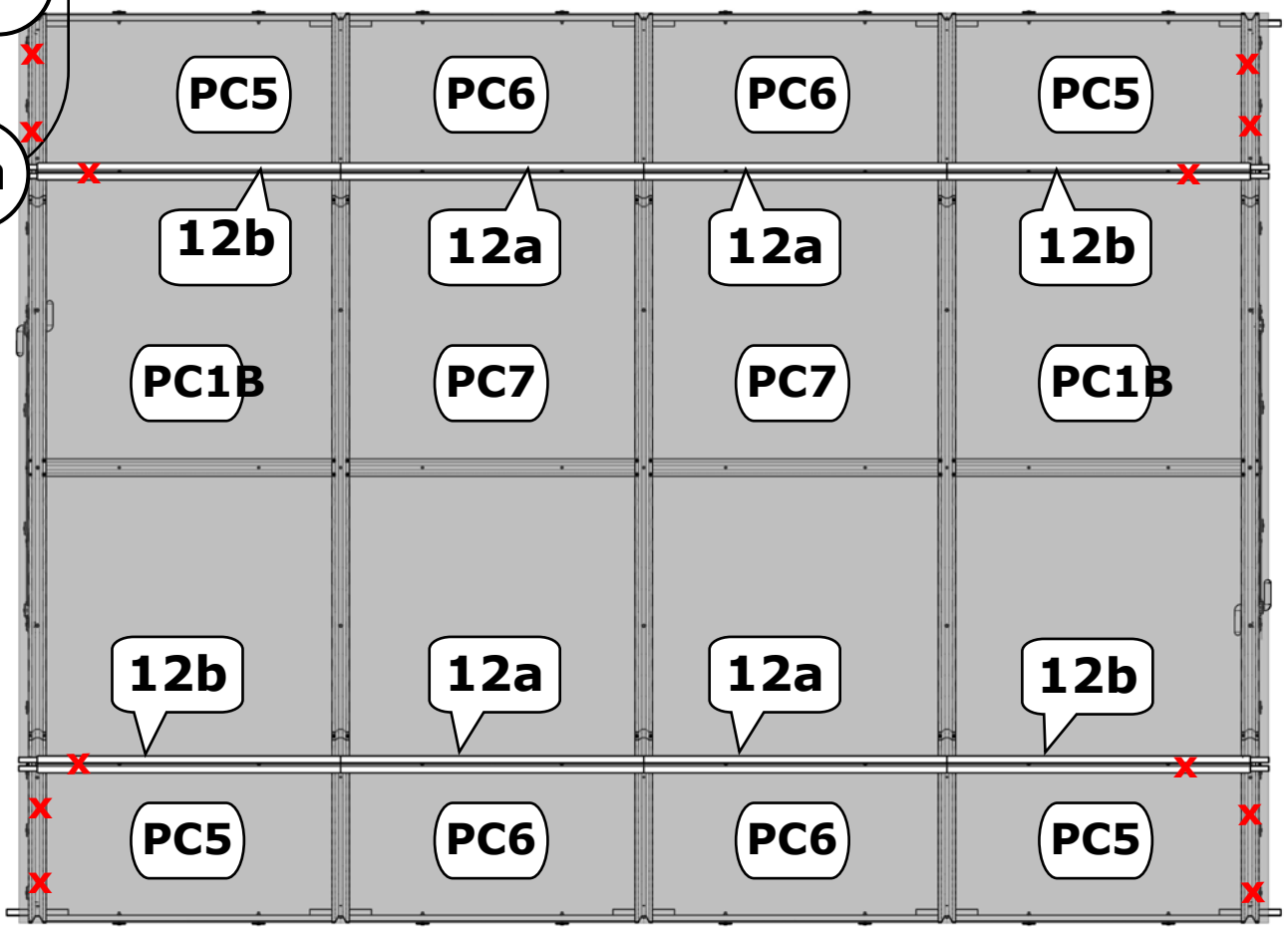
6

****Panels are already precut, no cutting required****





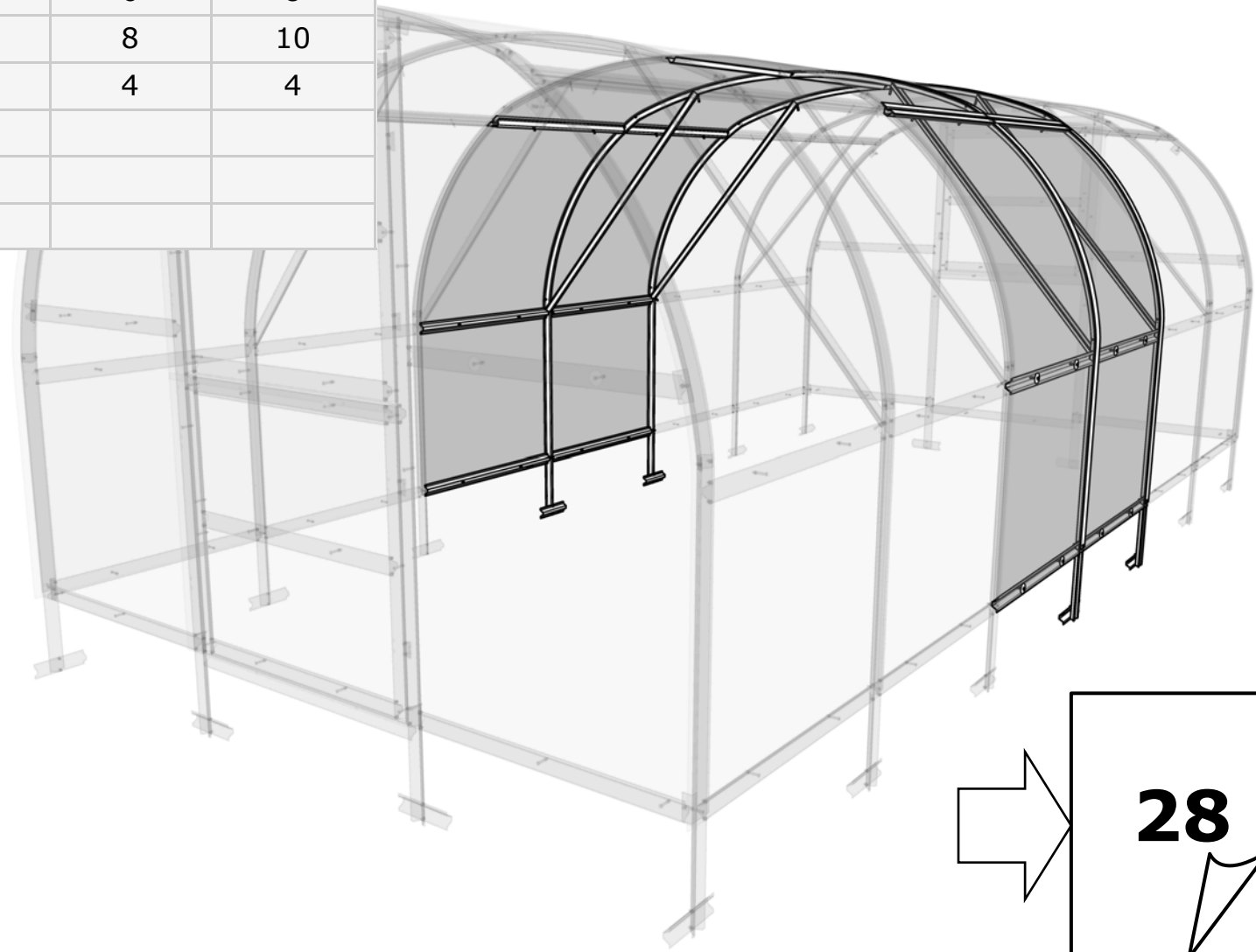
7a
7b
7c



****On red X's, optional screws can be added to provide additional support to structure. (Along 12B cap moulding, and PC5 panel)****

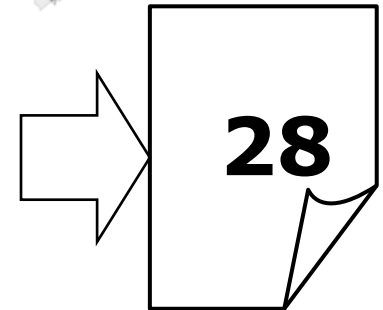
7

Piece No.	Quantity			
	3 x 4 m	3 x 6 m	3 x 8 m	3 x 10 m
PC1B	2	2	2	2
PC5	4	4	4	4
PC6	4	8	12	16
PC7	2	4	6	8
Nr.12a	4	6	8	10
Nr.12b	4	4	4	4
Screws M5 x 40				
Washers M5				
Gasket slides Ø40				

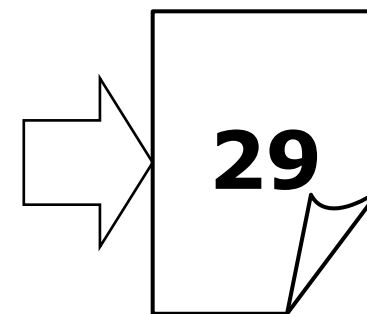
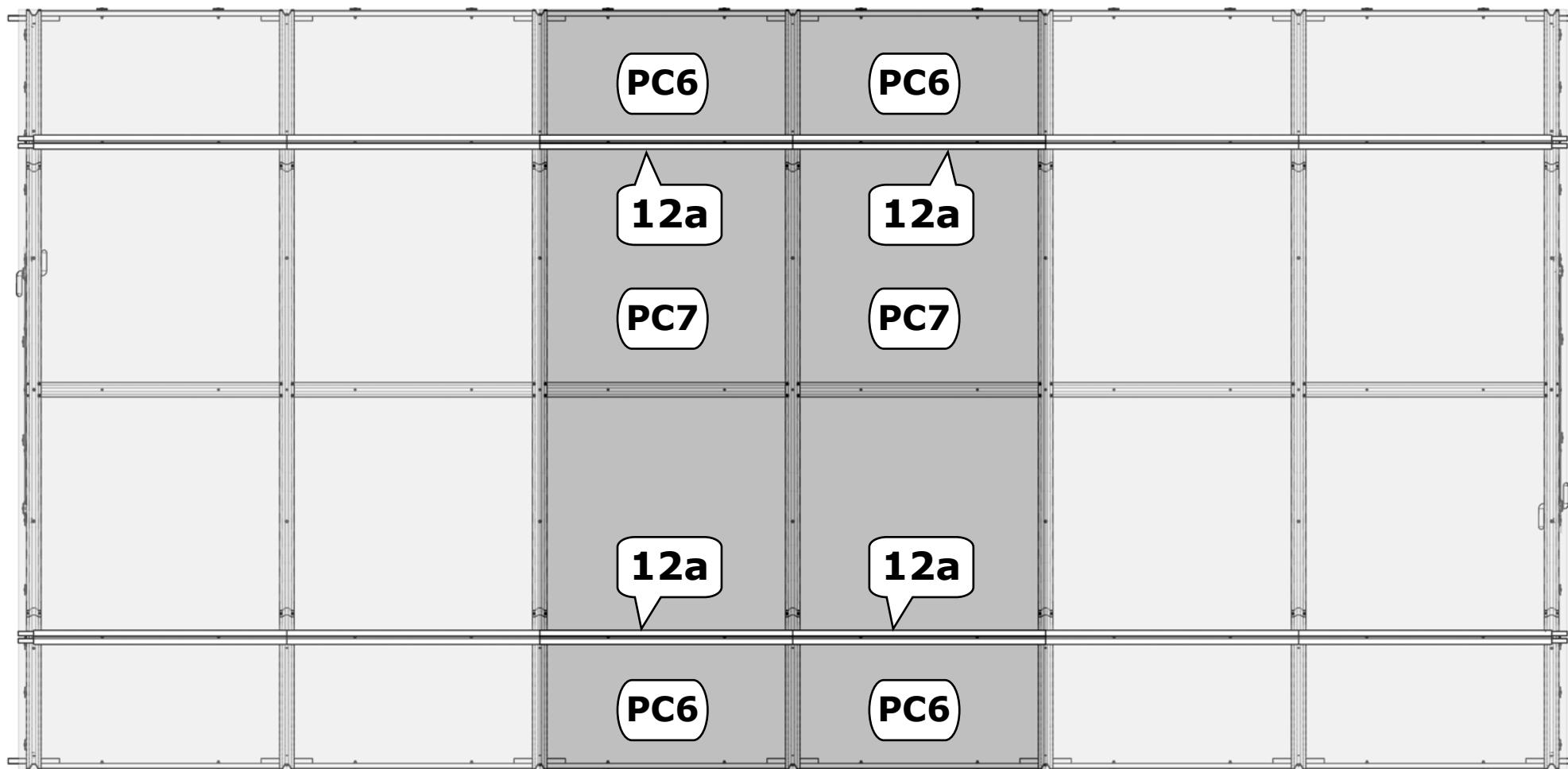


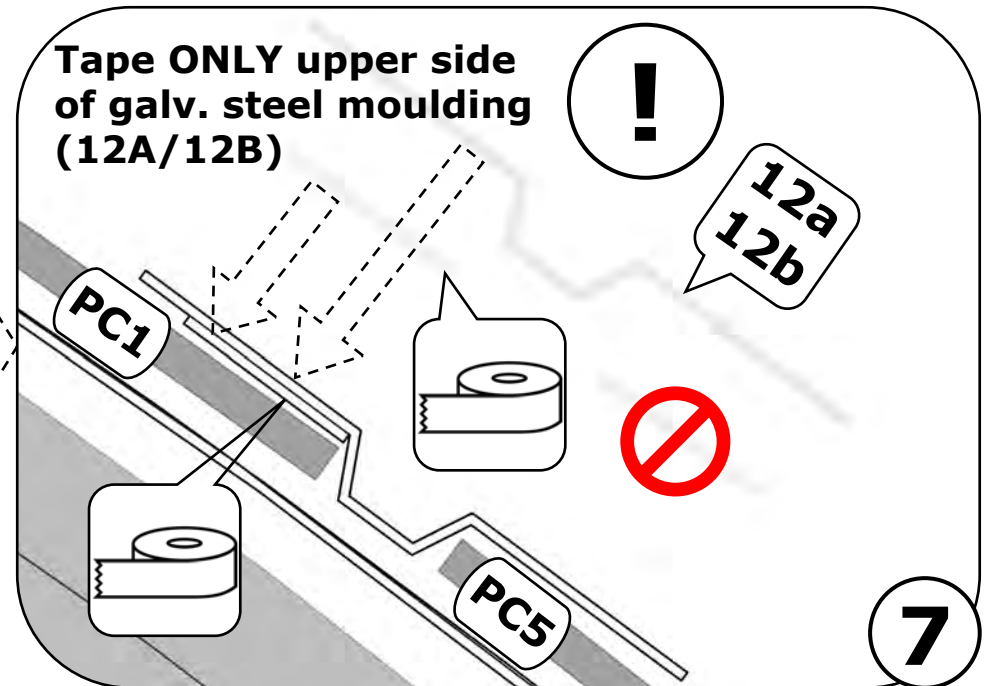
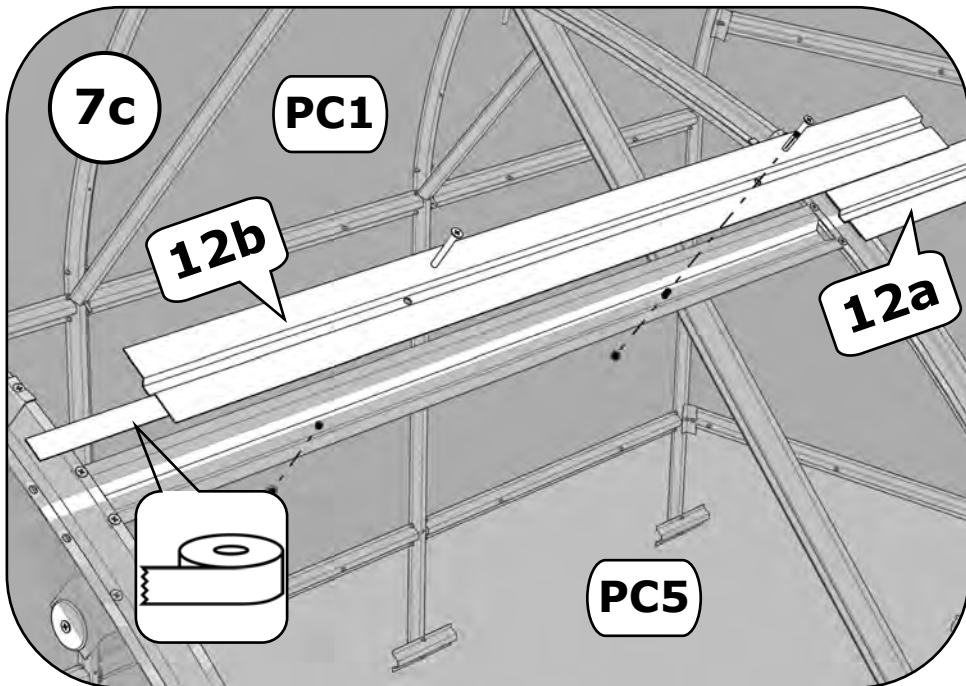
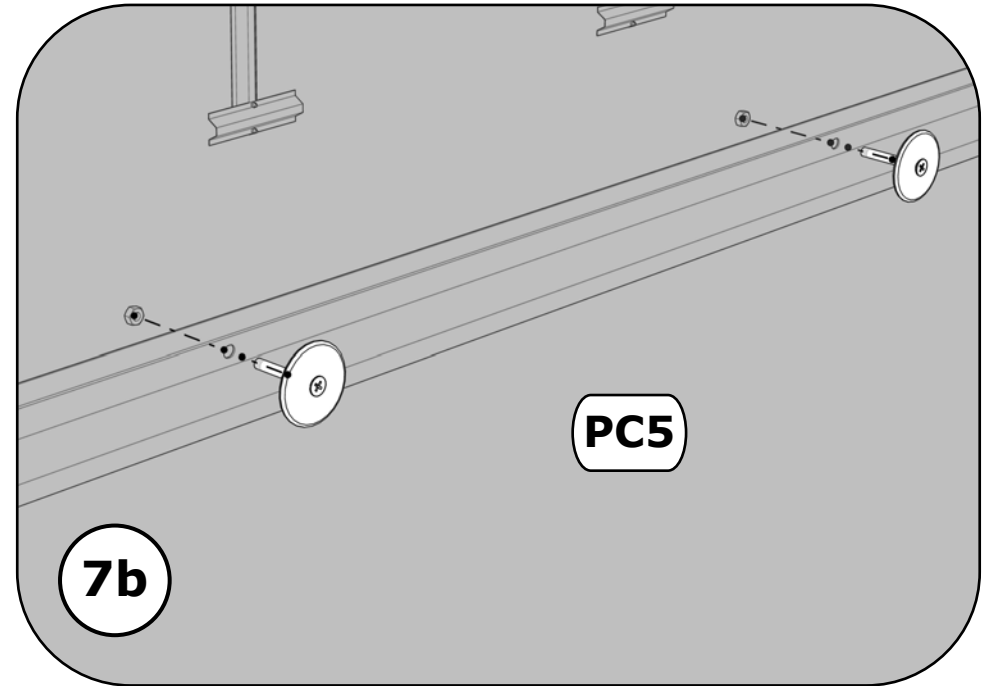
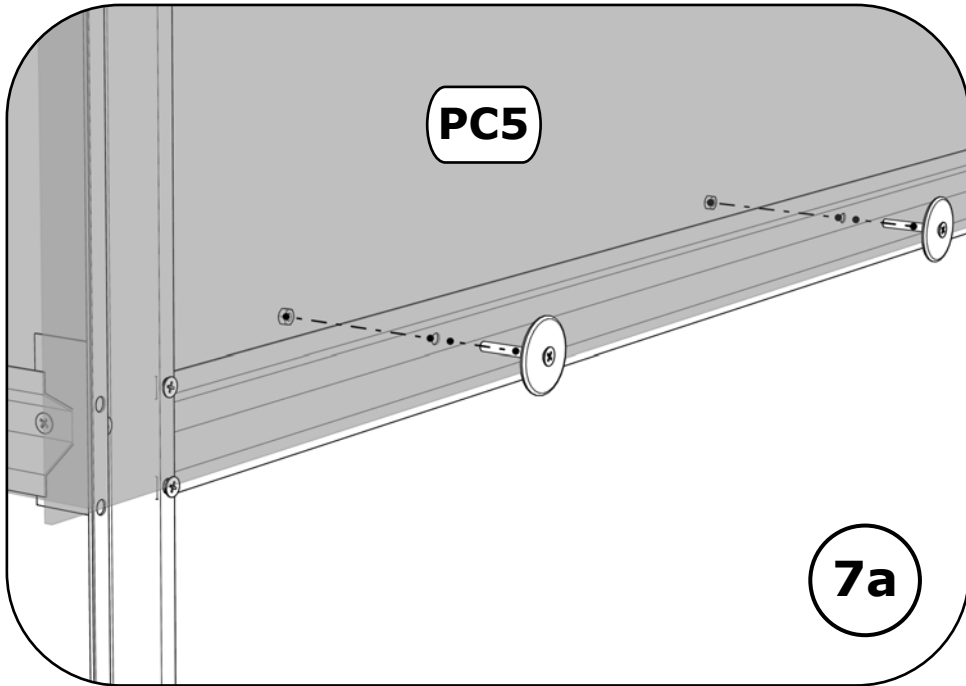
A

A

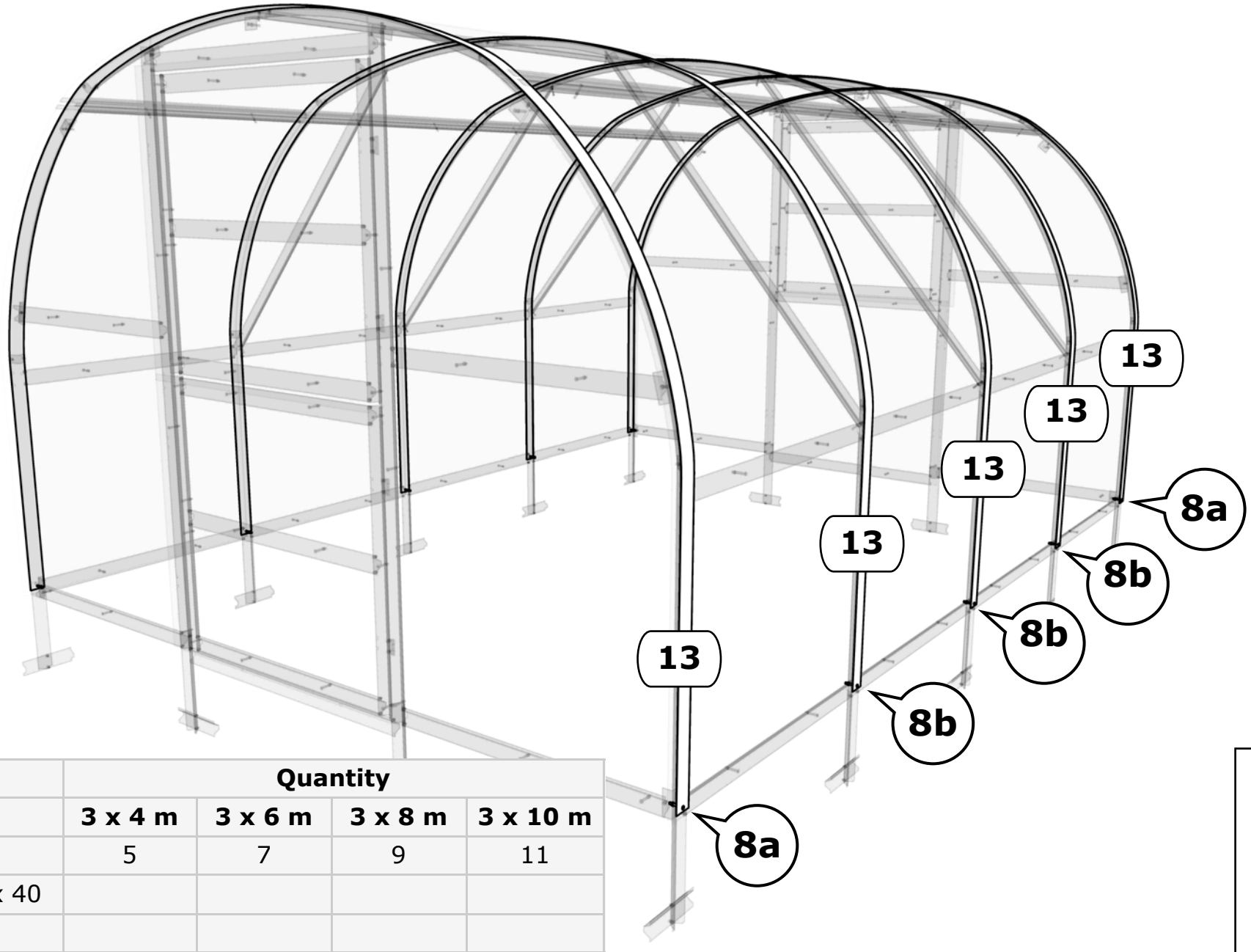


****PERFORM IF YOU HAVE EXTENSION, IF NOT, PROCEED TO NEXT PAGE****

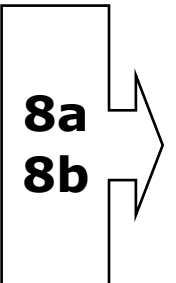




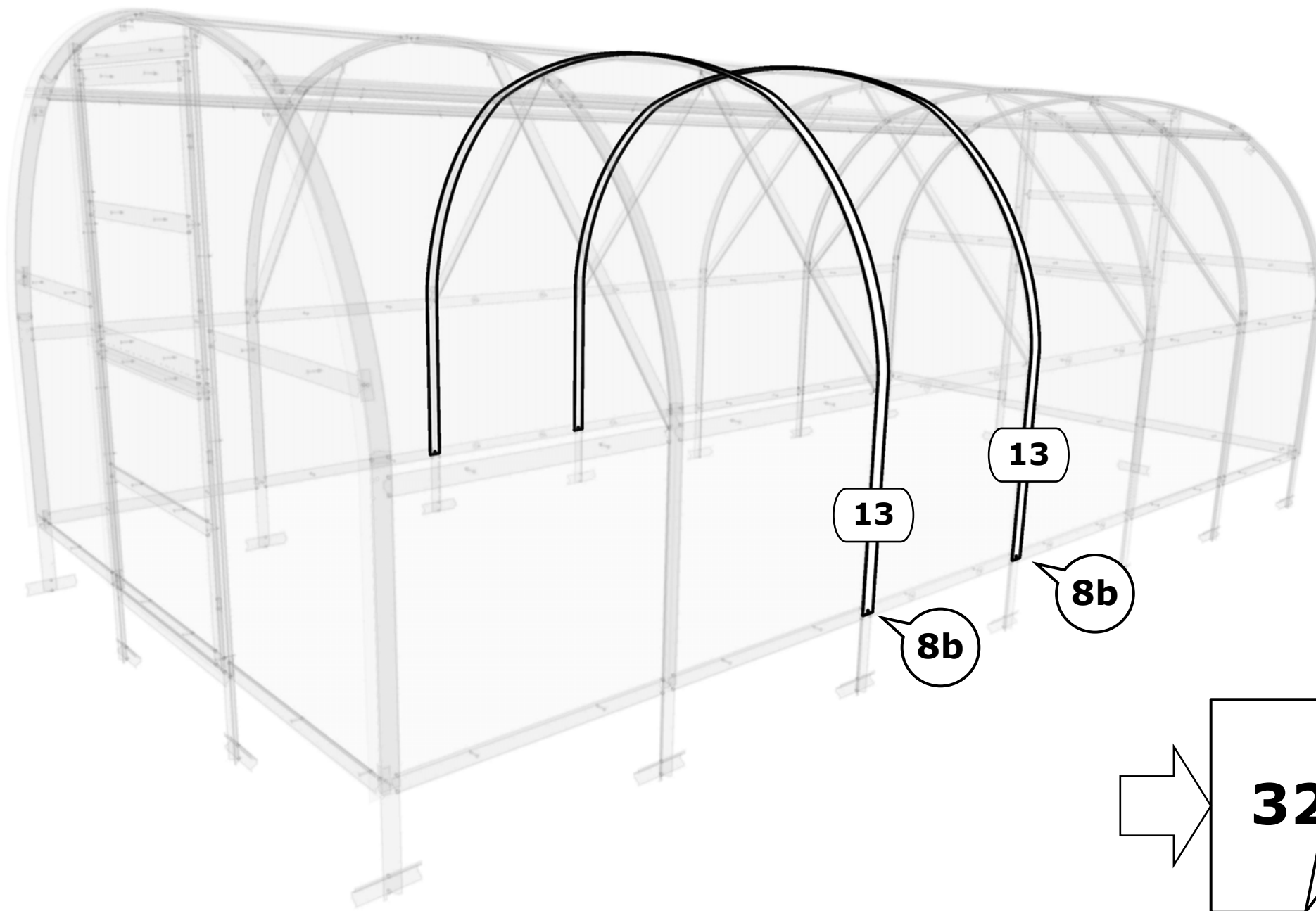
8



Piece No.	Quantity			
	3 x 4 m	3 x 6 m	3 x 8 m	3 x 10 m
Nr.13	5	7	9	11
Screws M5 x 40				
Washers M5				

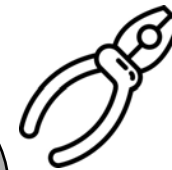
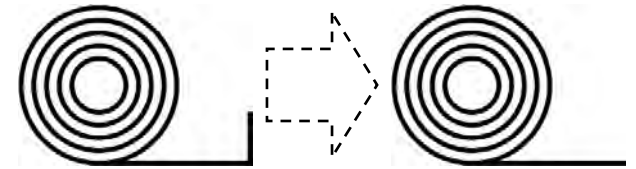
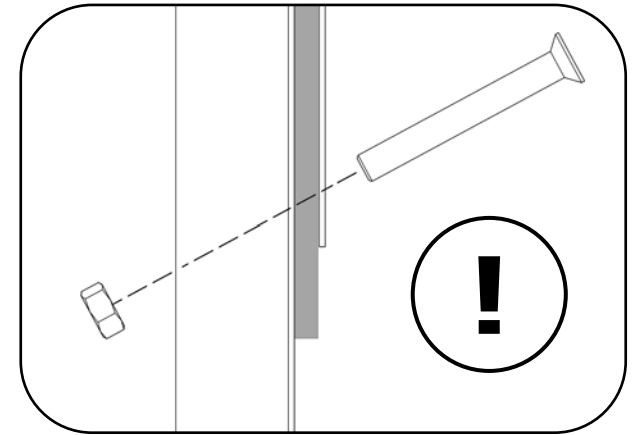


****PERFORM IF YOU HAVE EXTENSION, IF NOT, PROCEED TO NEXT PAGE****

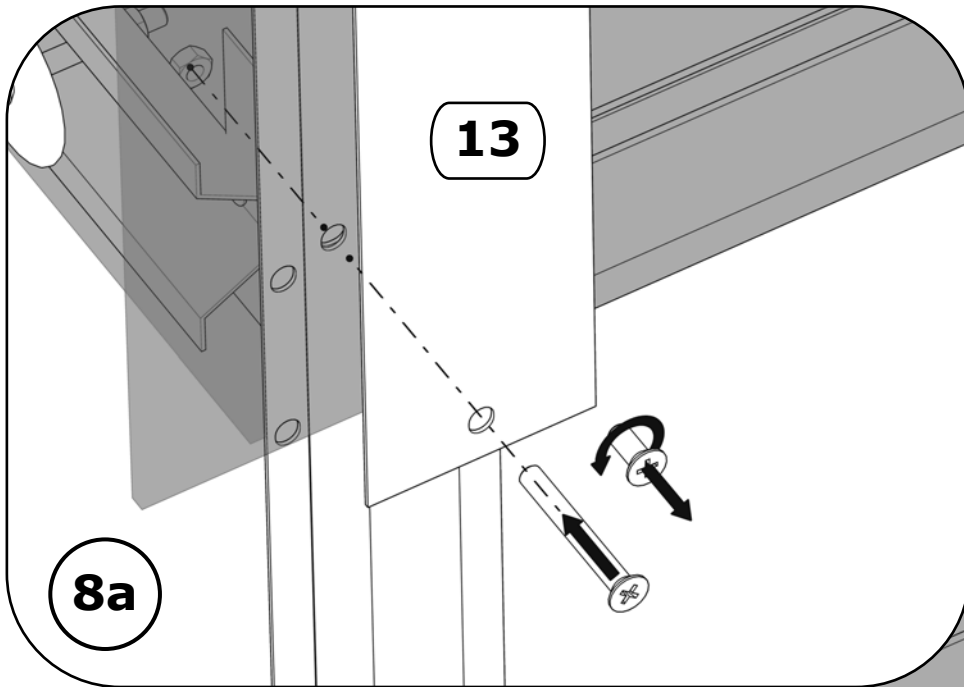


Instruction:

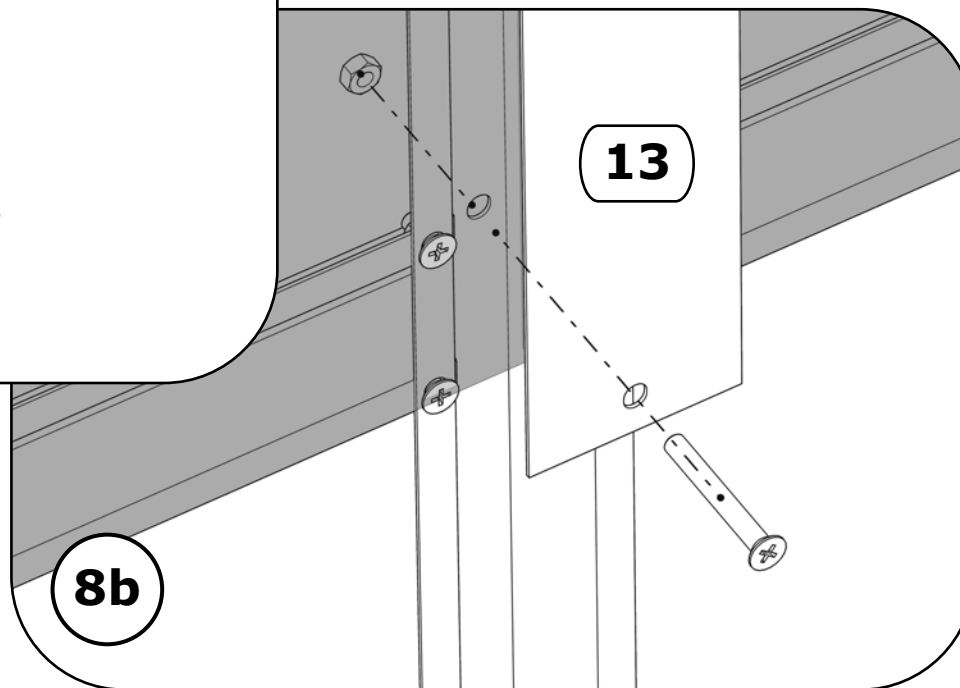
- a. First, unscrew the M5x12 screws on both sides of the greenhouse.
- b. Unroll the band Nr.13 and fold the end of the band with pliers.
- c. Place the band Nr.13 on the greenhouse.
- d. Secure one end of the band with an M5x40 screw, but do not tighten it completely.
- e. Tighten the other end of the band completely with an M5x40 screw.
- f. Finish fully tightening the first screw M5x40.



x5



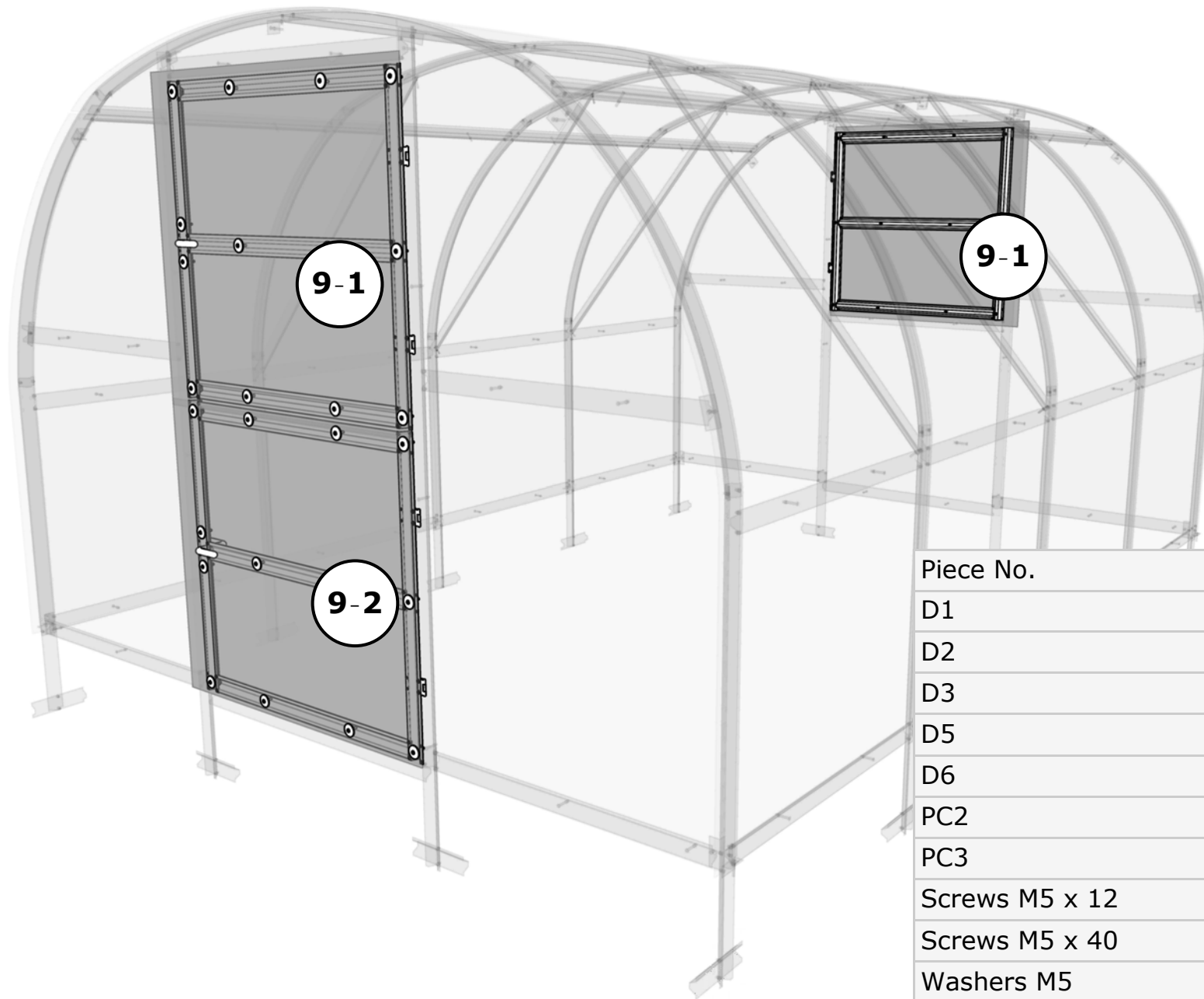
8a



8b

8

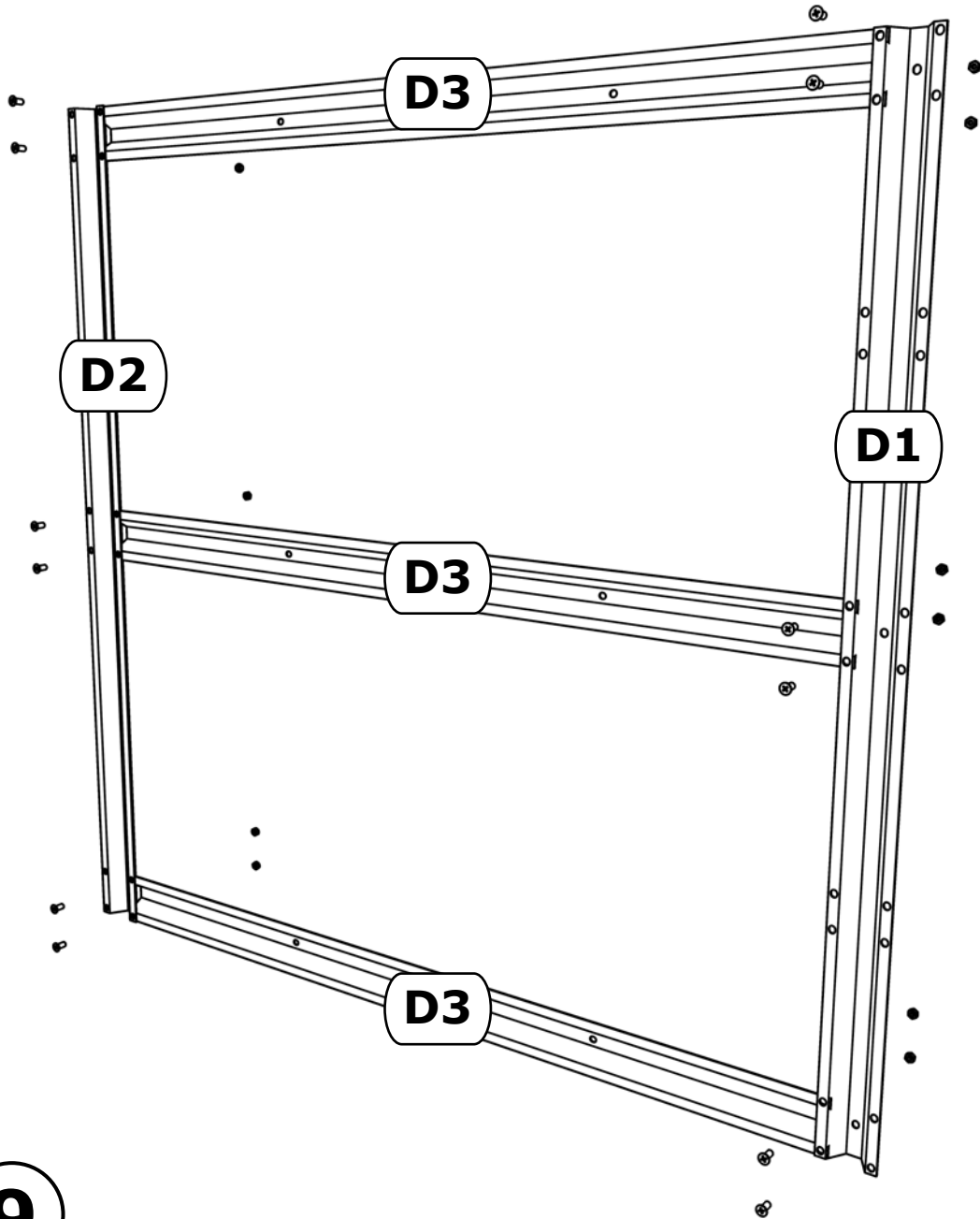
9



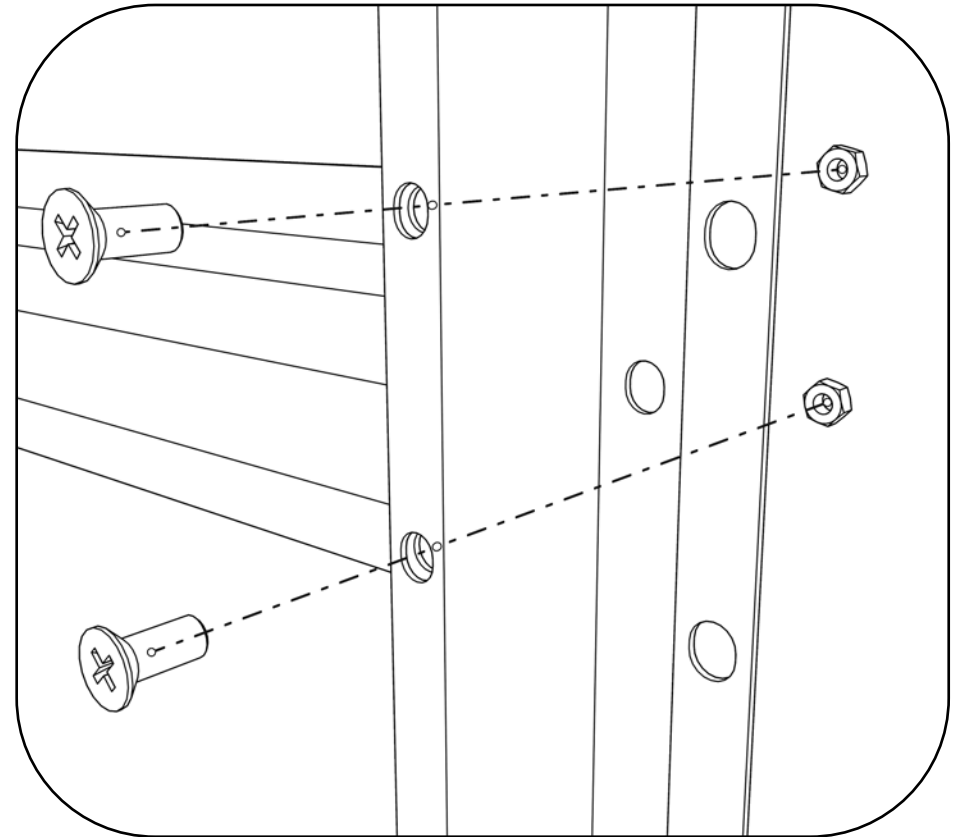
9-1
9-2

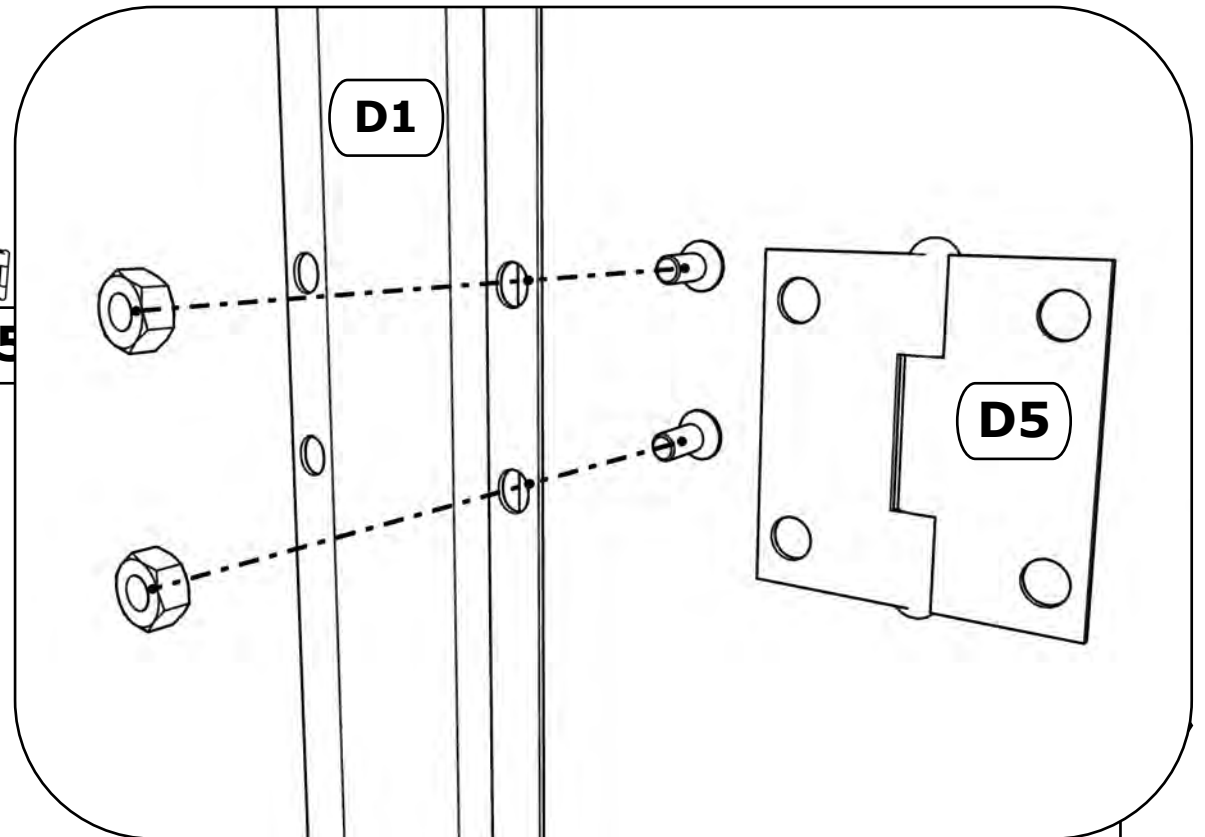
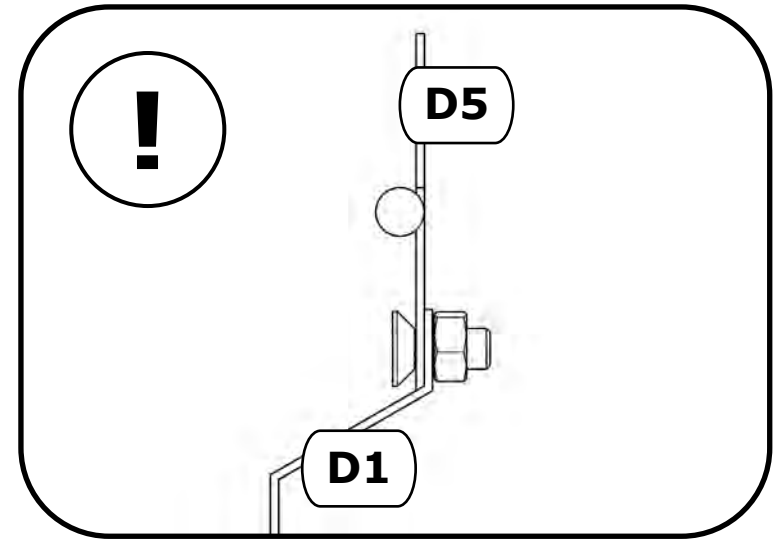
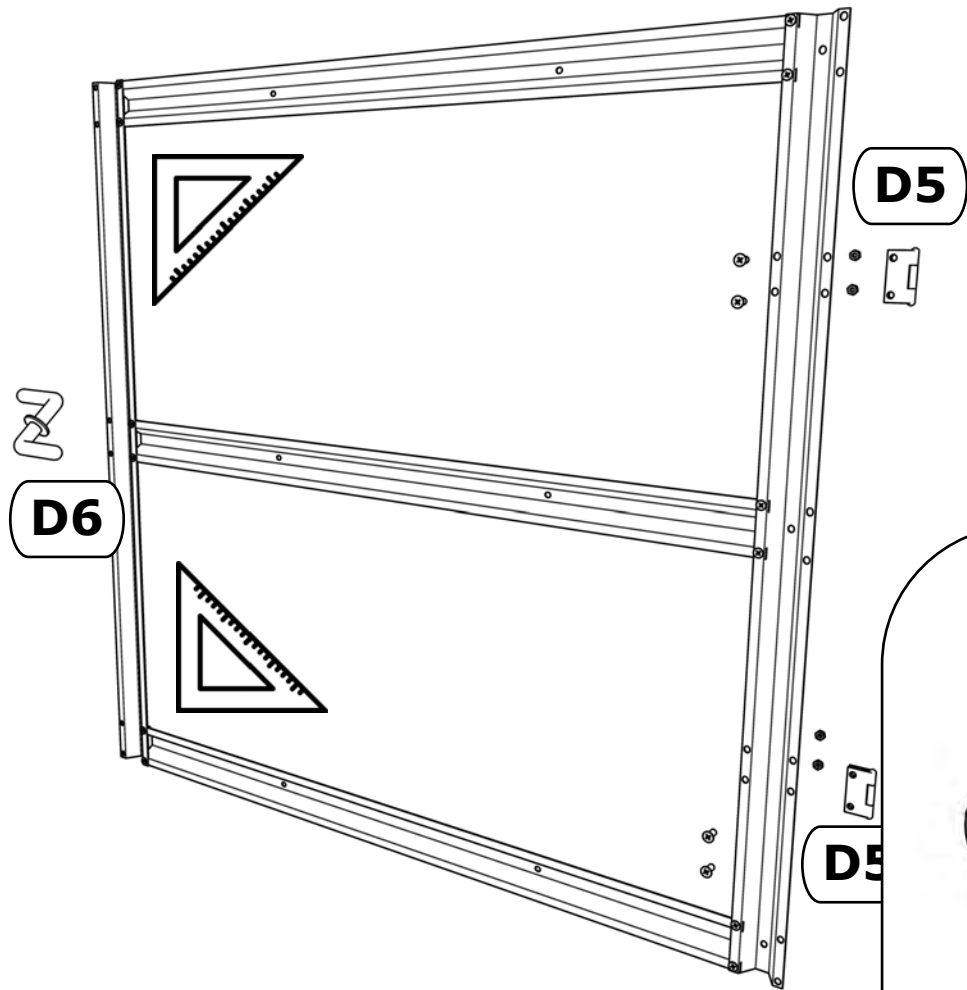
Piece No.	Quantity
D1	3
D2	3
D3	9
D5	6
D6	3
PC2	2
PC3	1
Screws M5 x 12	
Screws M5 x 40	
Washers M5	
Gasket slides Ø40	

9



9-1 9-2 x3

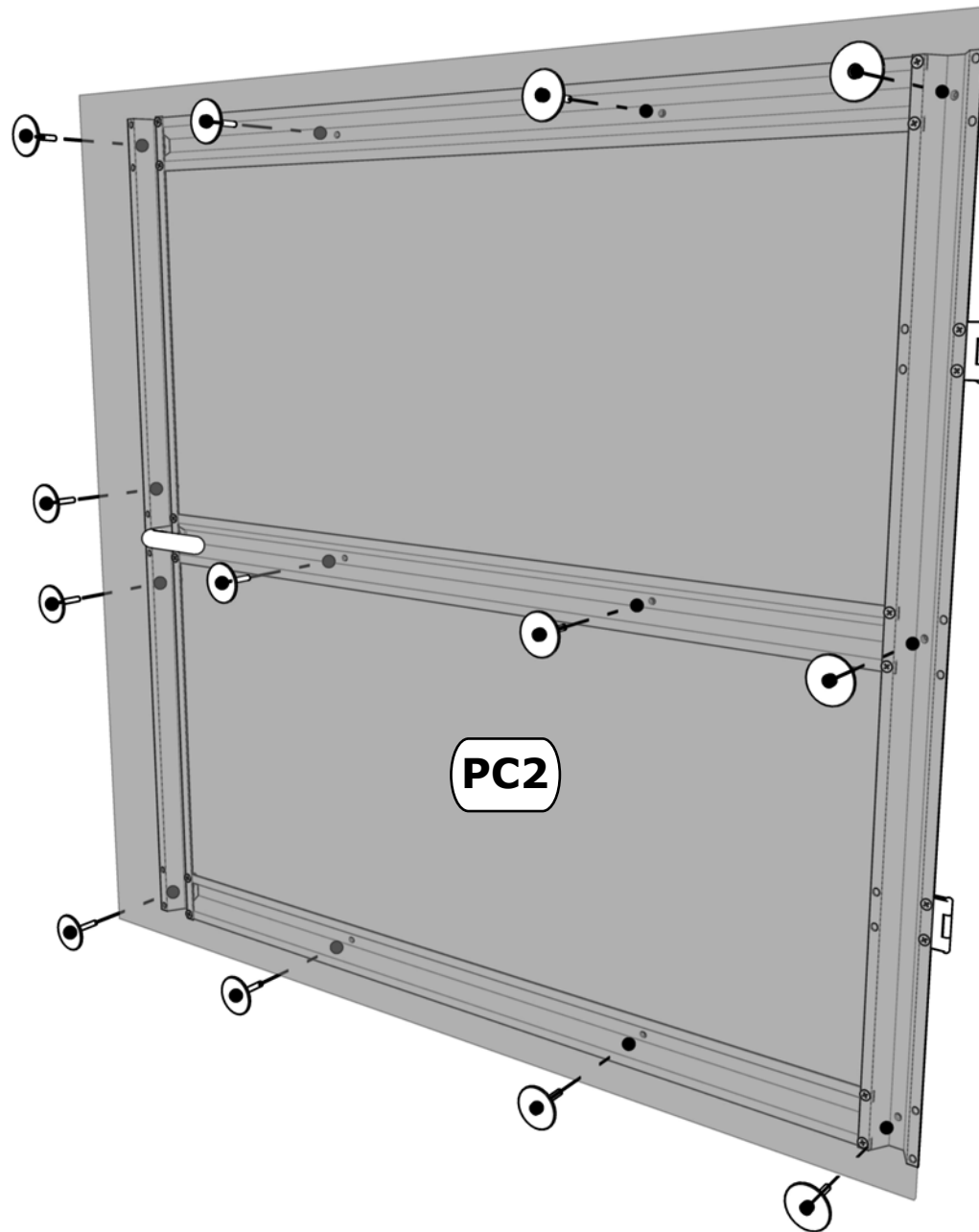




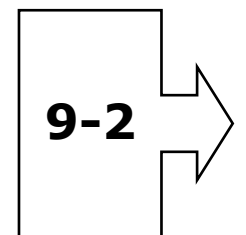
9-1 9-2 x3

9

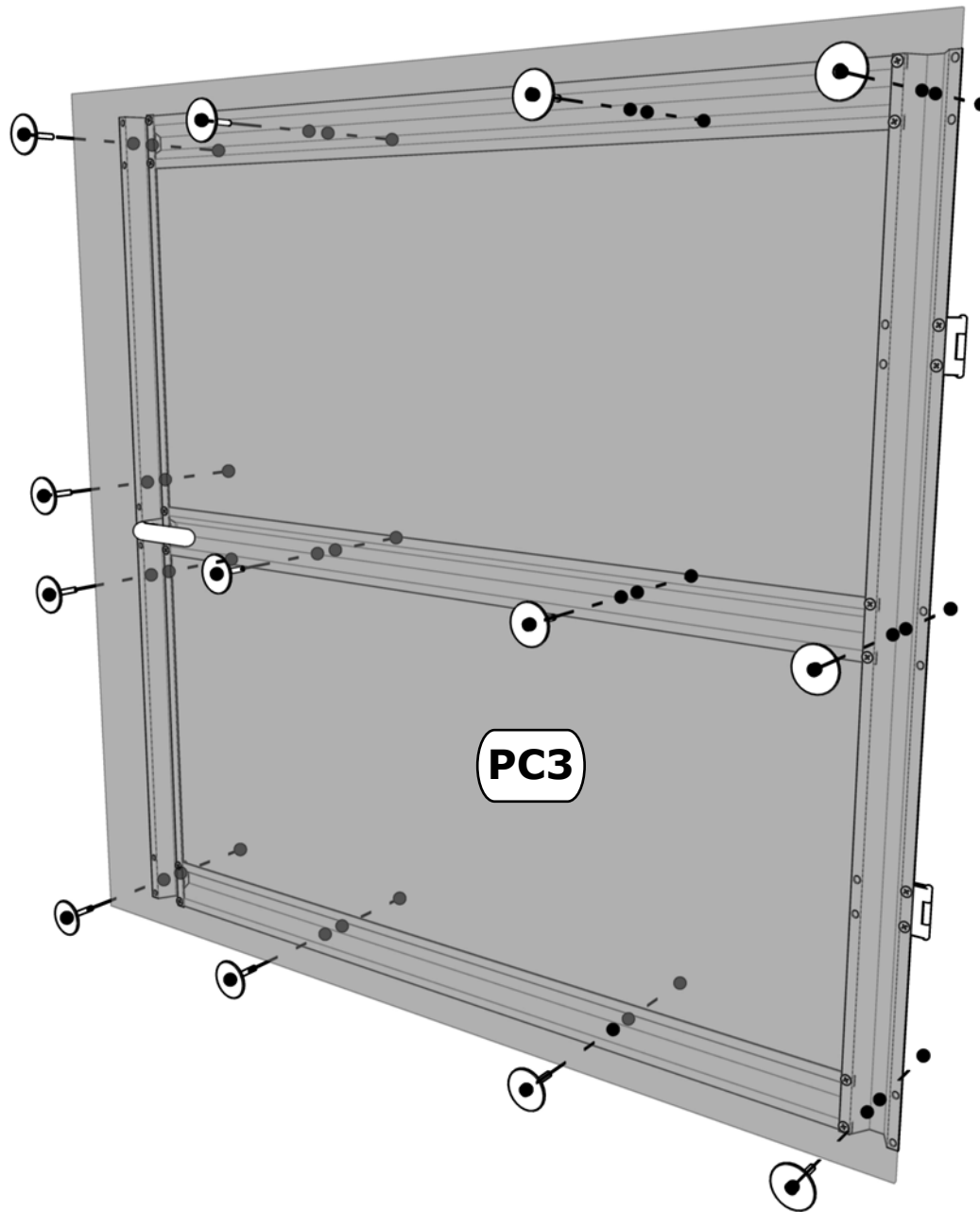
9



9-1 x2



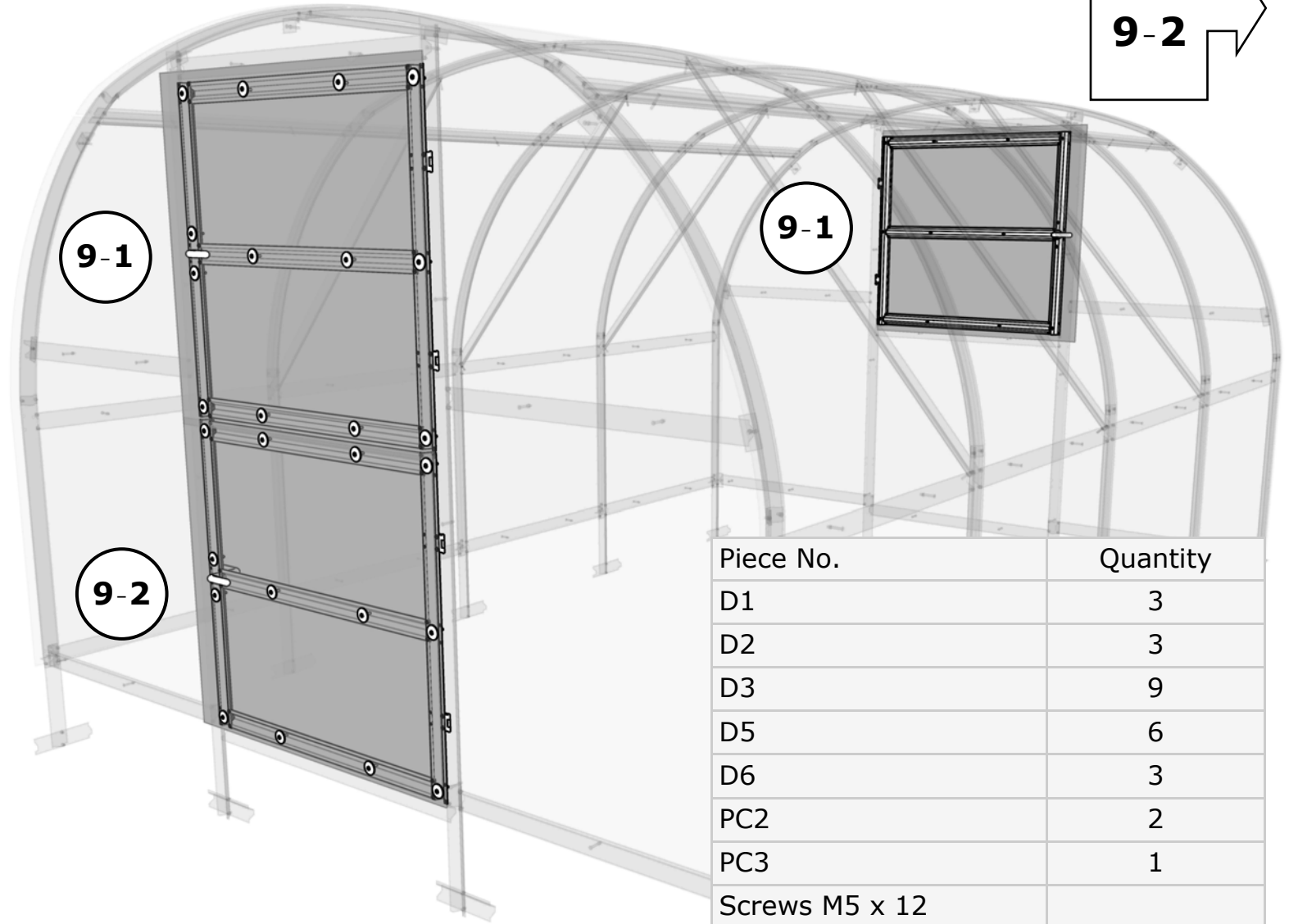
9



9-2 x1

Add optional aluminum plate to convert dutch door to solid door. On INSIDE of door (plate on inside greenhouse)

9-1 →
9-2 →



9-2

9-1

9

Piece No.	Quantity
D1	3
D2	3
D3	9
D5	6
D6	3
PC2	2
PC3	1
Screws M5 x 12	
Screws M5 x 40	
Washers M5	
Gasket slides Ø40	