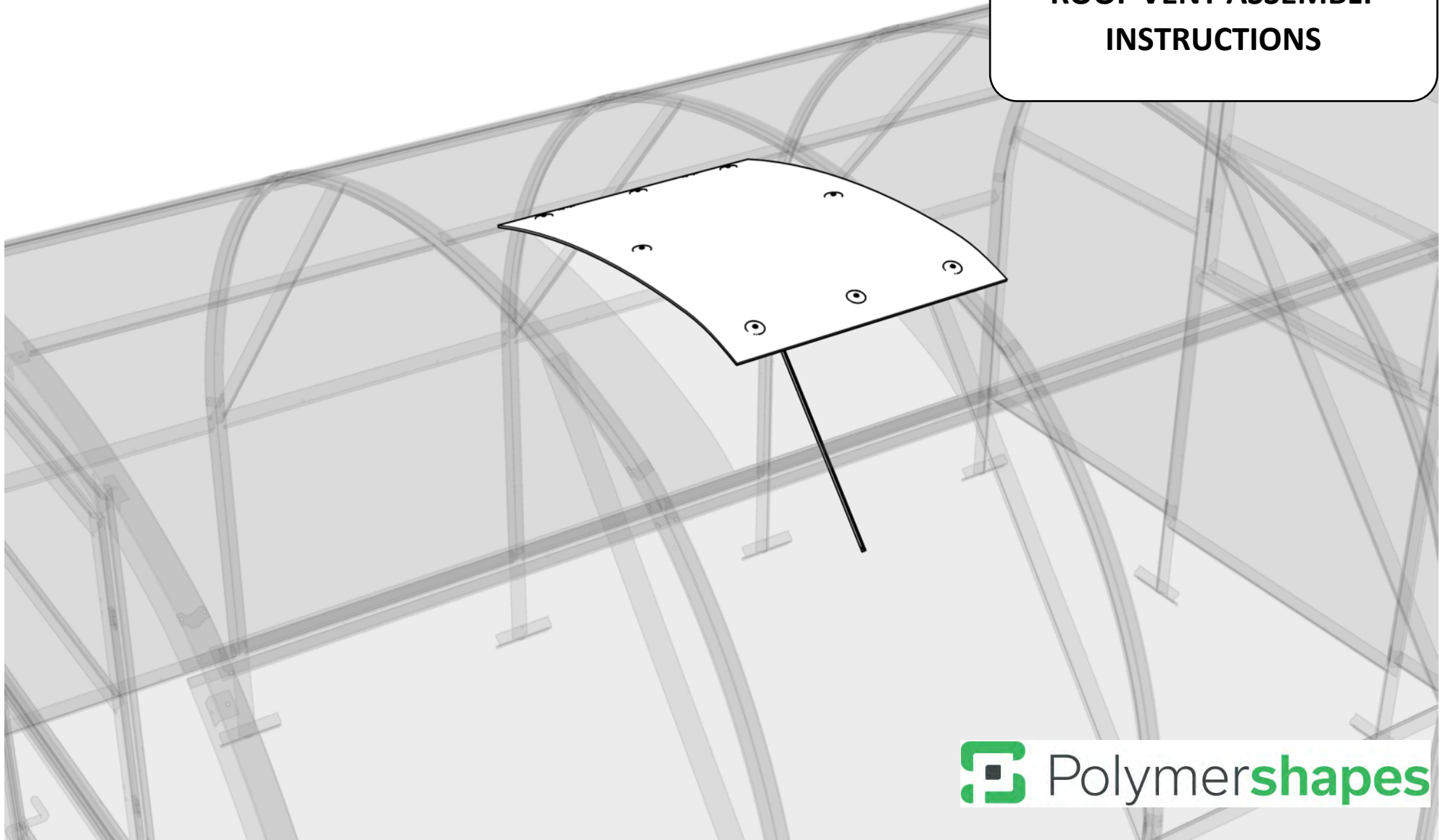
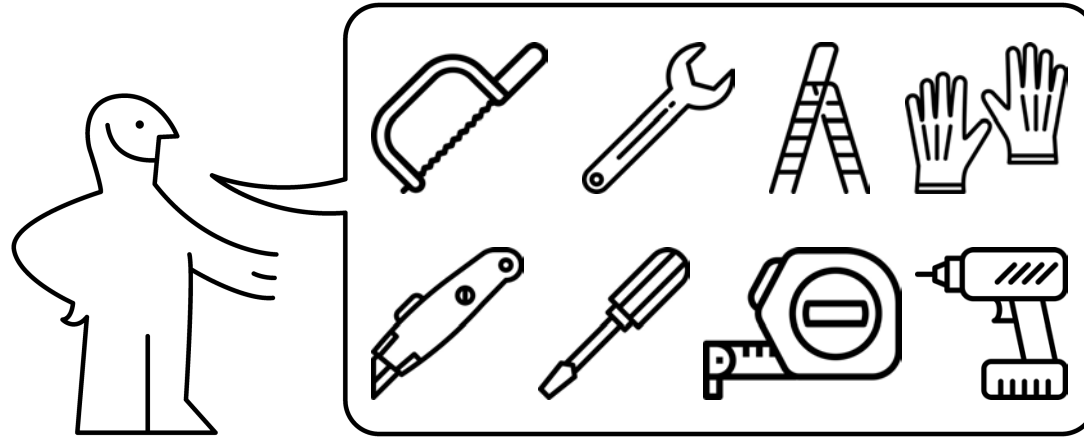
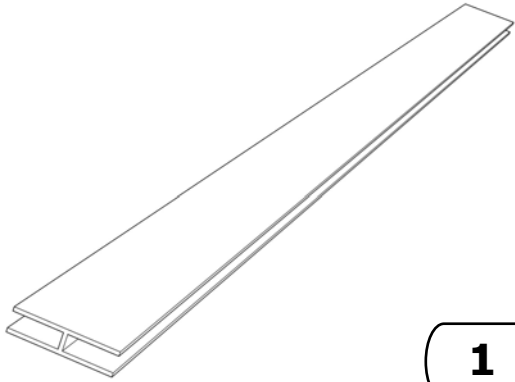


**PS GREENHOUSE
ROOF VENT ASSEMBLY
INSTRUCTIONS**

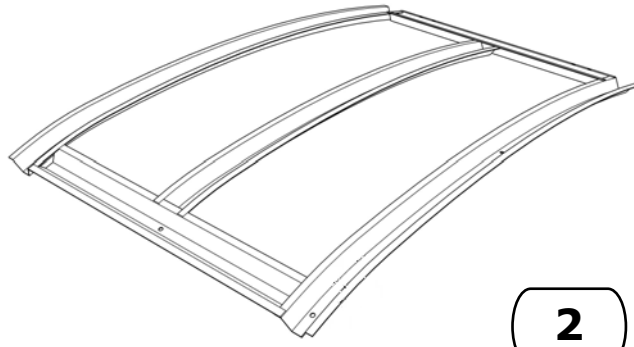






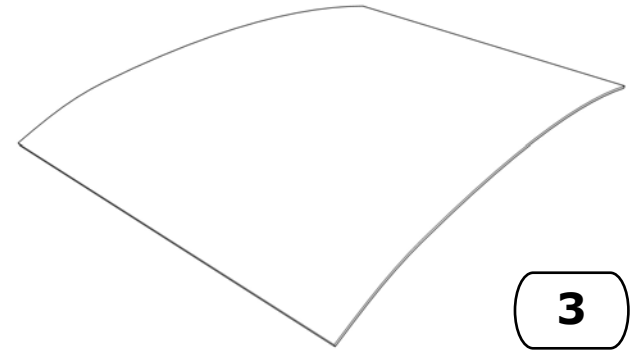
1

H-Profile(x1)



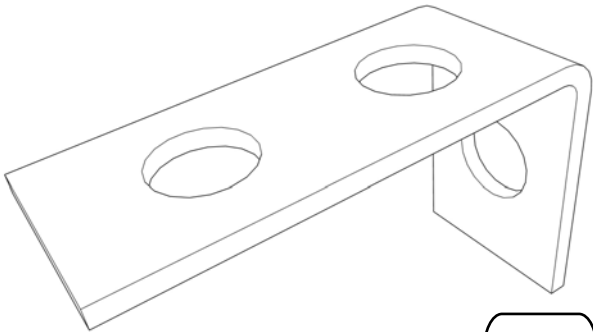
2

Skylight Frame (x1)



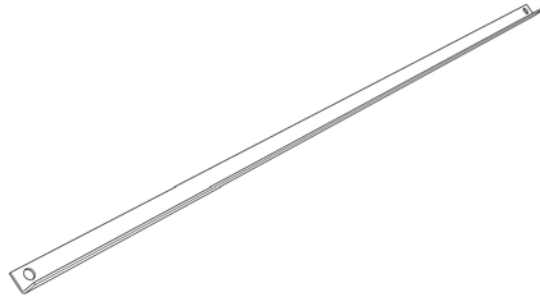
3

PC V - Polycarbonate Vent(x1)



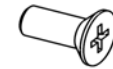
4

Bracket (x1)

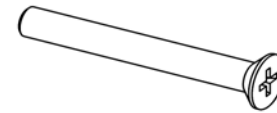


5

Leg (x1)



M5x12 (x6)



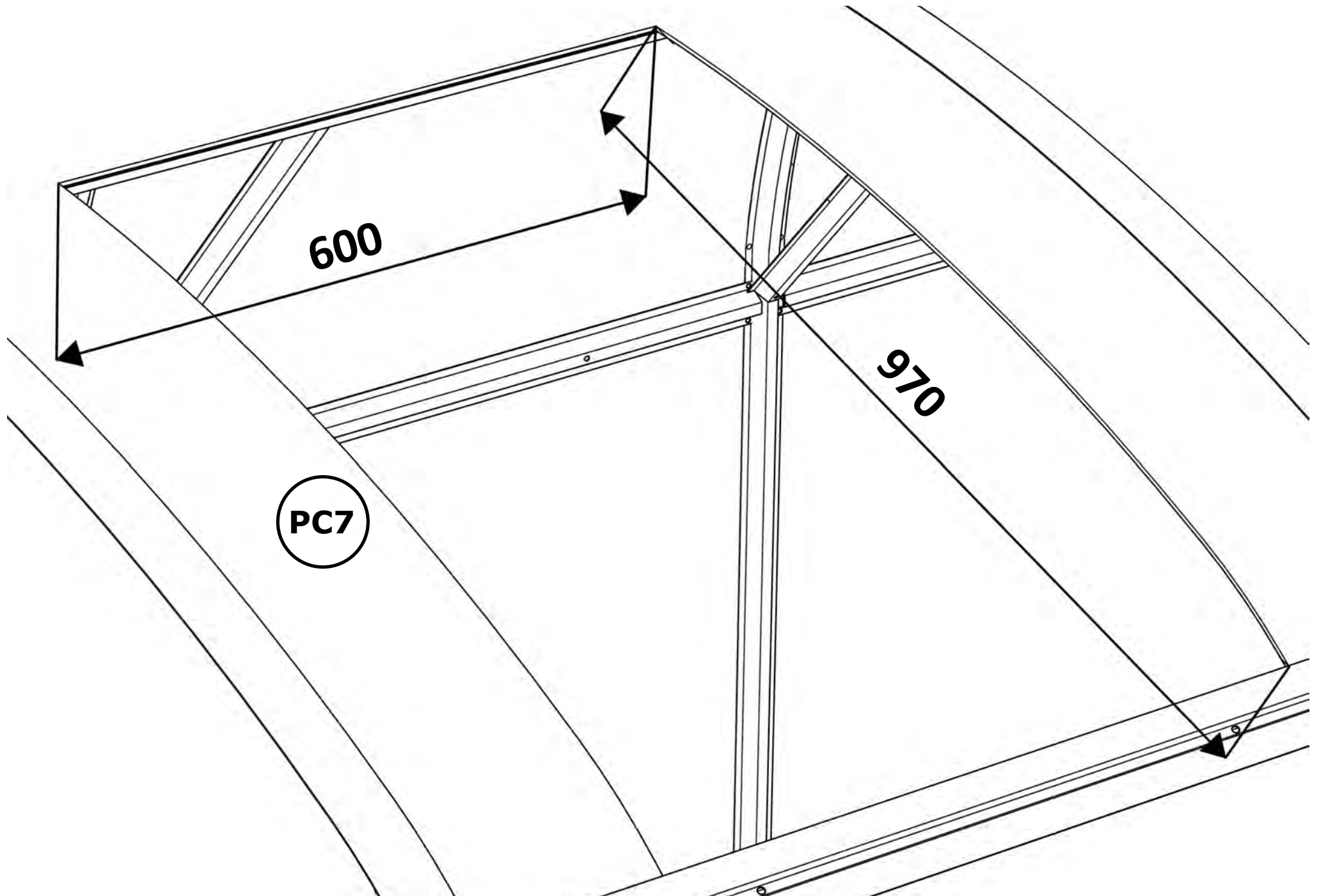
M5x40 (x8)

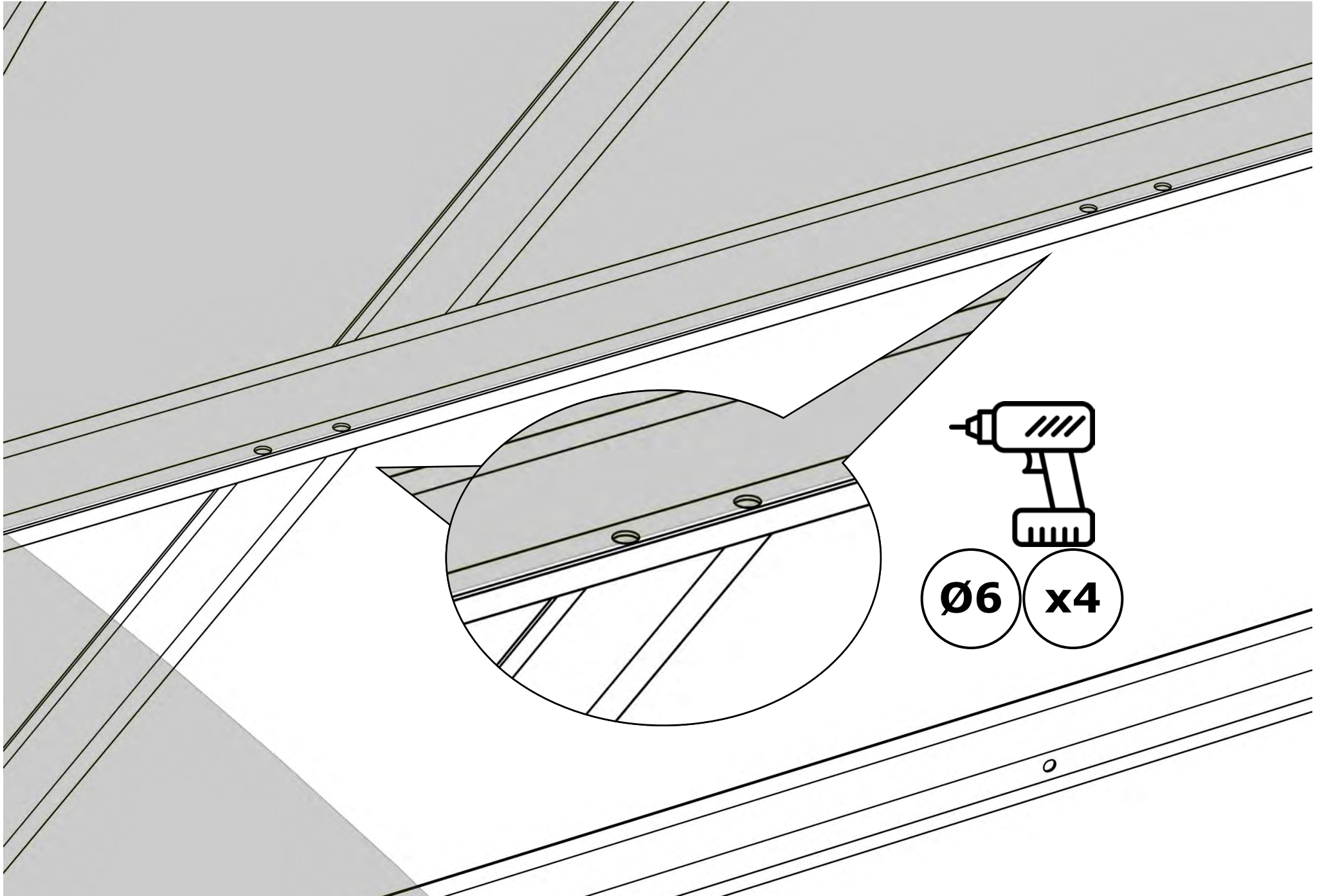


M5 (x14)



Ø40 (x8)





Ø6 x4

