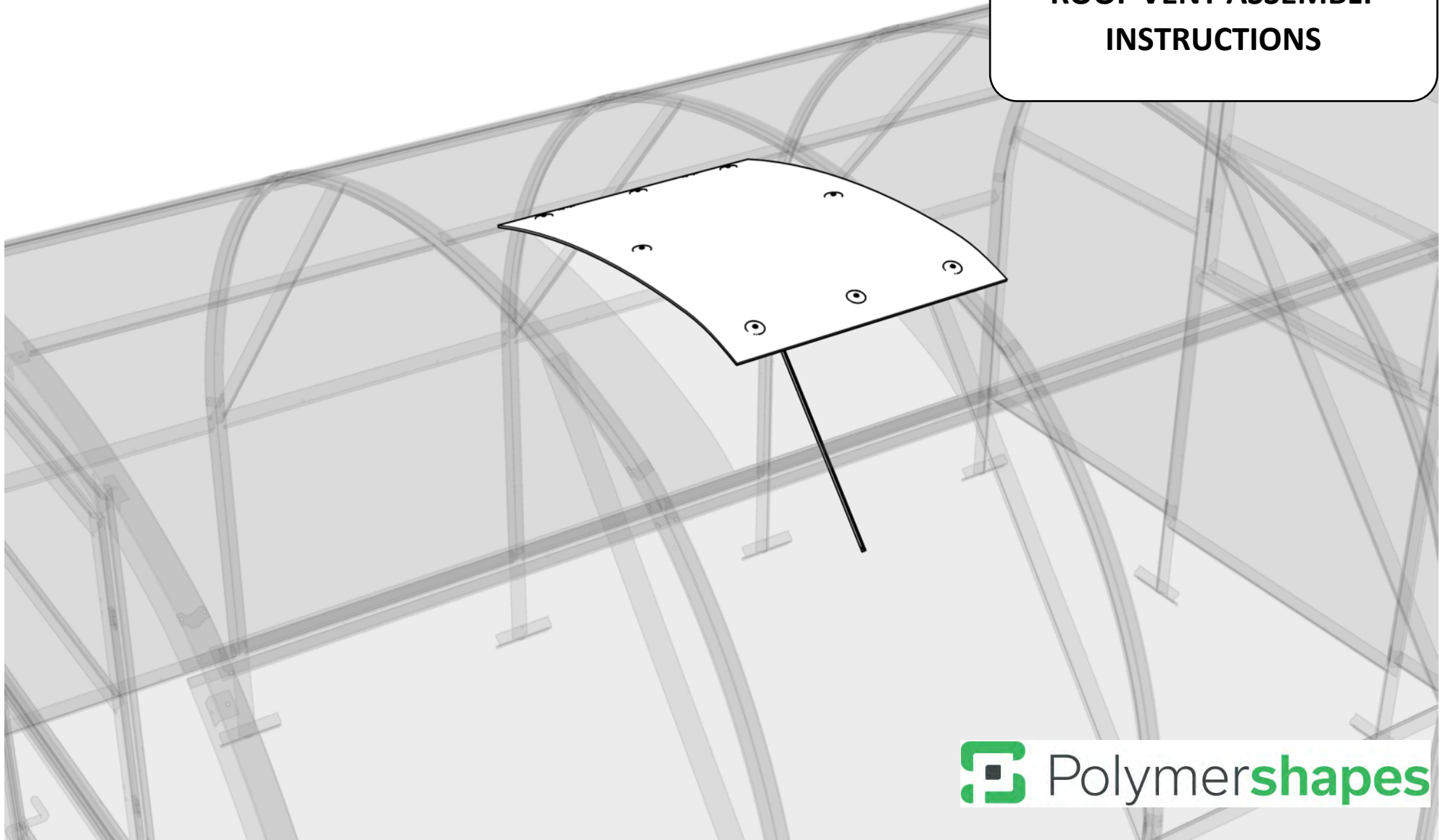
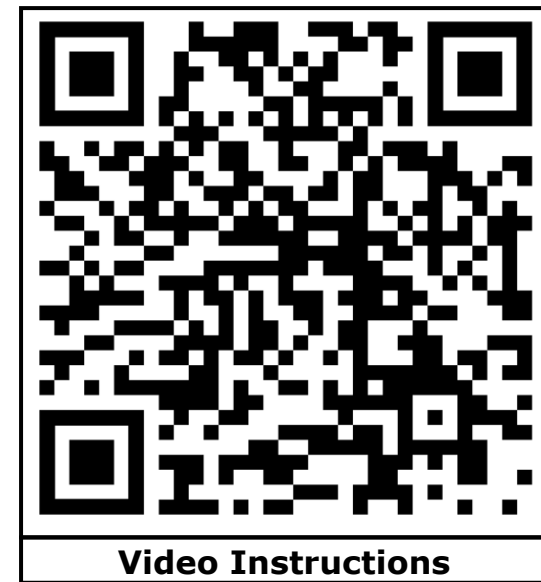
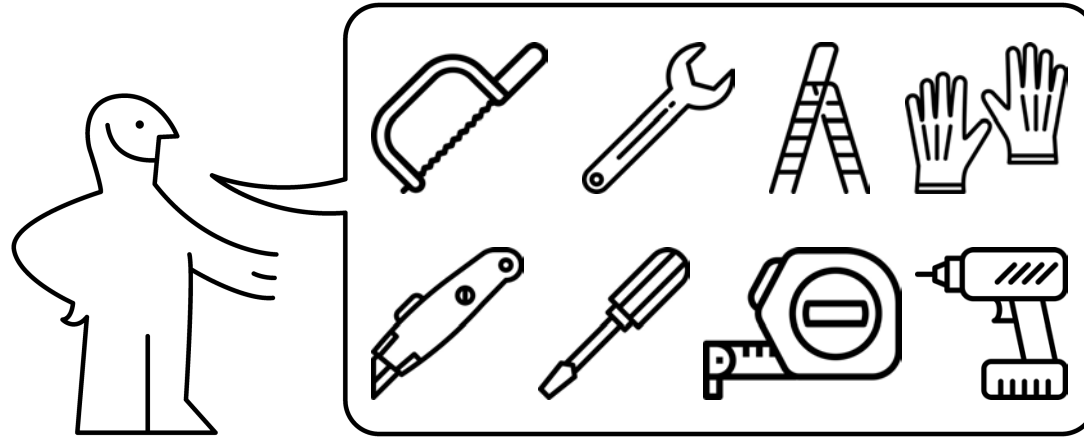
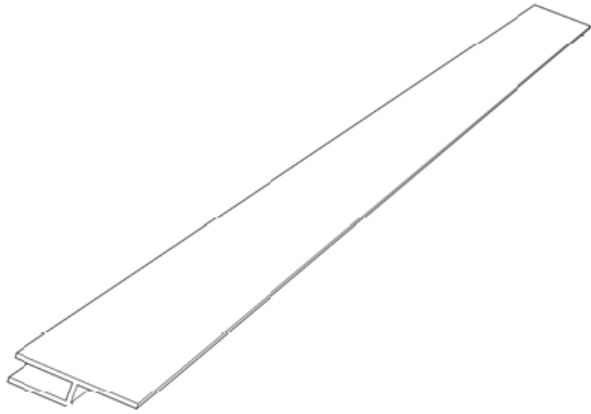


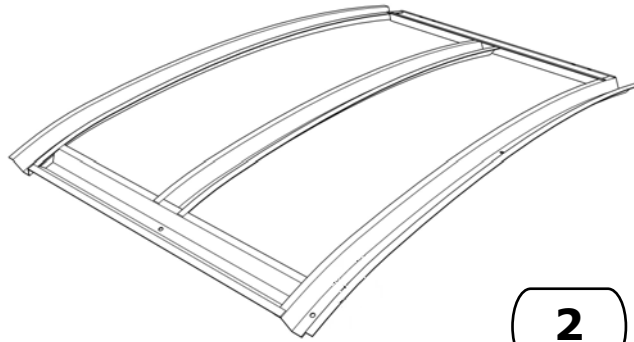
**PS GREENHOUSE
ROOF VENT ASSEMBLY
INSTRUCTIONS**





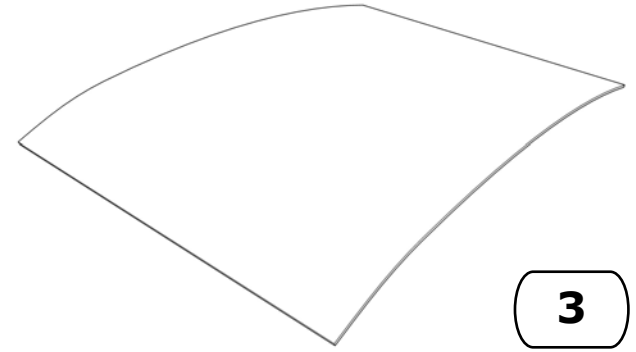


H-Profile(x1)



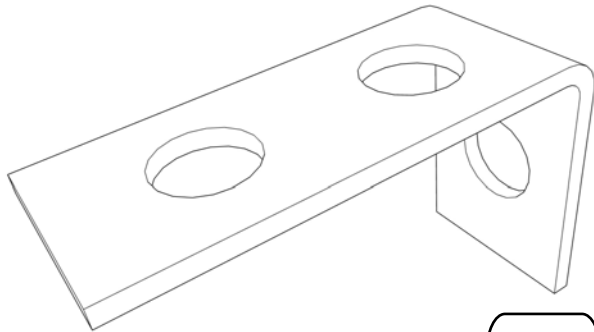
Skylight Frame (x1)

2



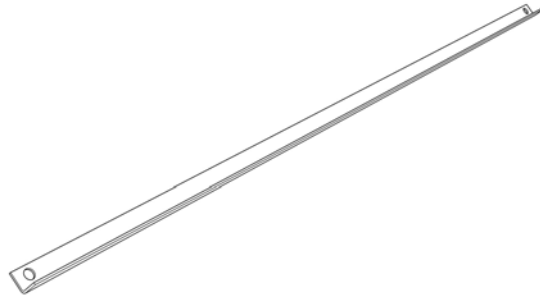
PC V - Polycarbonate Vent(x1)

3



Bracket (x1)

4

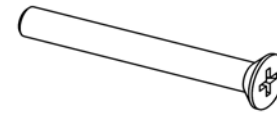


Leg (x1)

5



M5x12 (x6)



M5x40 (x8)

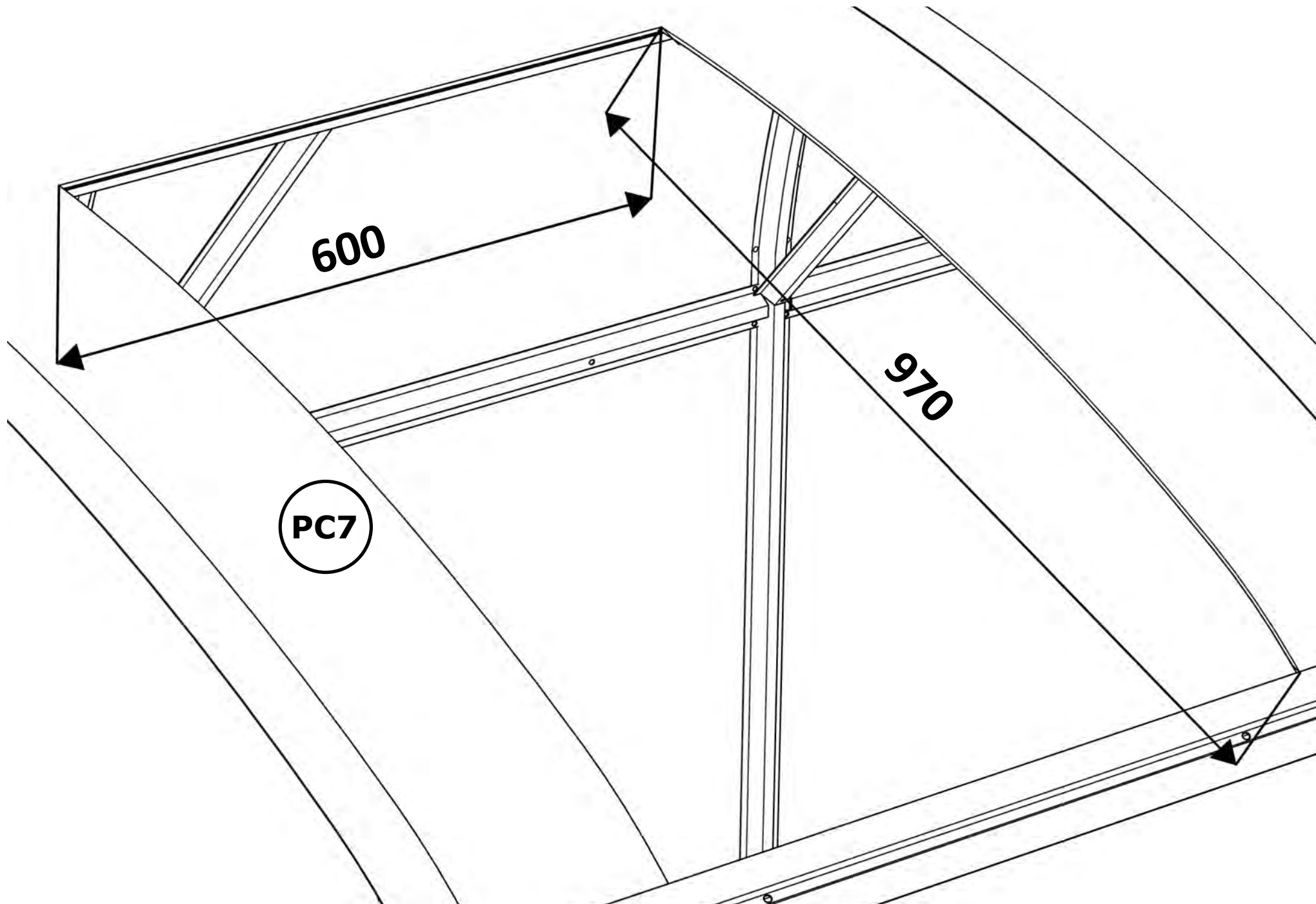


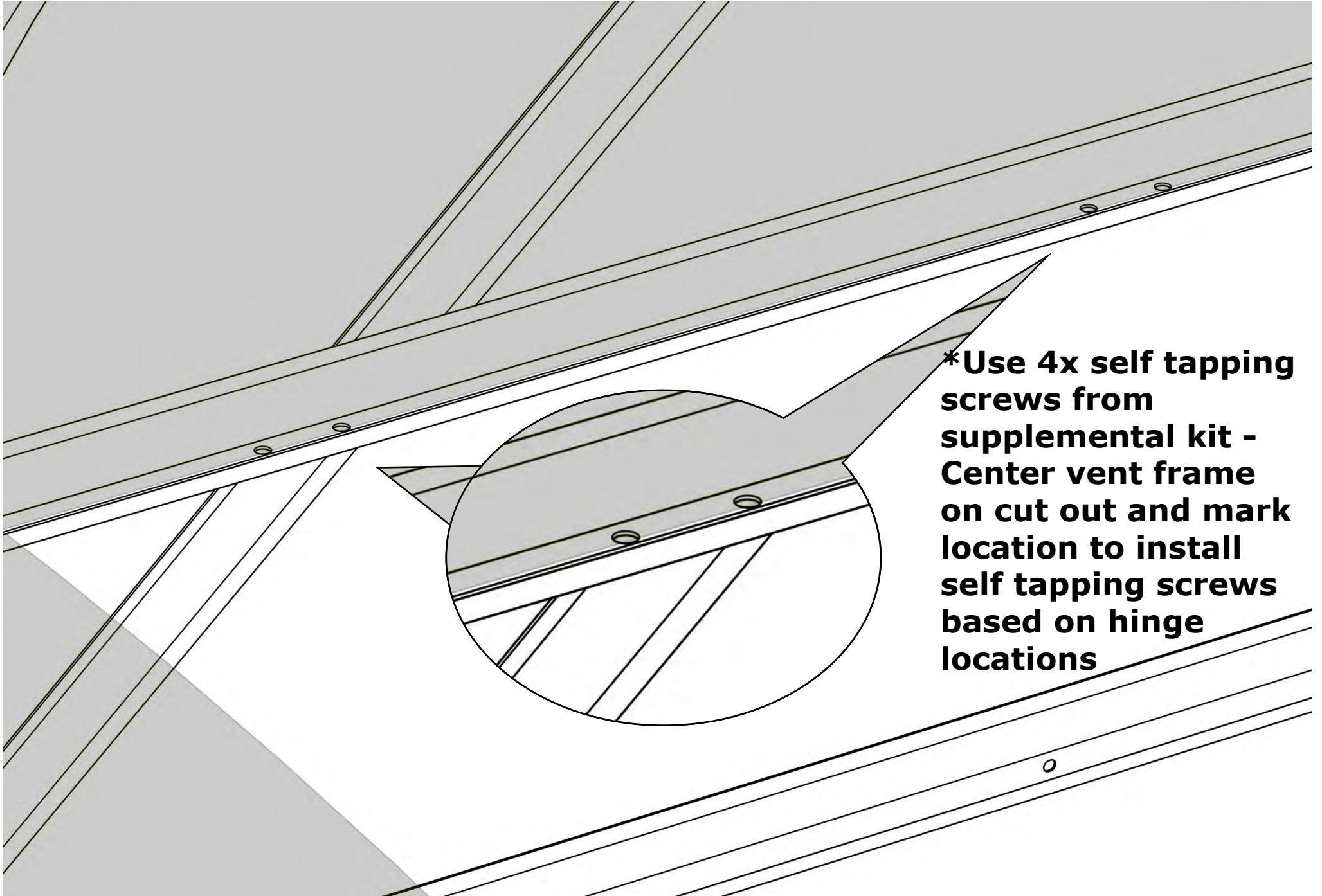
M5 (x14)



Ø40 (x8)

***4 self tapping screws
from supplemental kit***





***Use 4x self tapping screws from supplemental kit - Center vent frame on cut out and mark location to install self tapping screws based on hinge locations**

