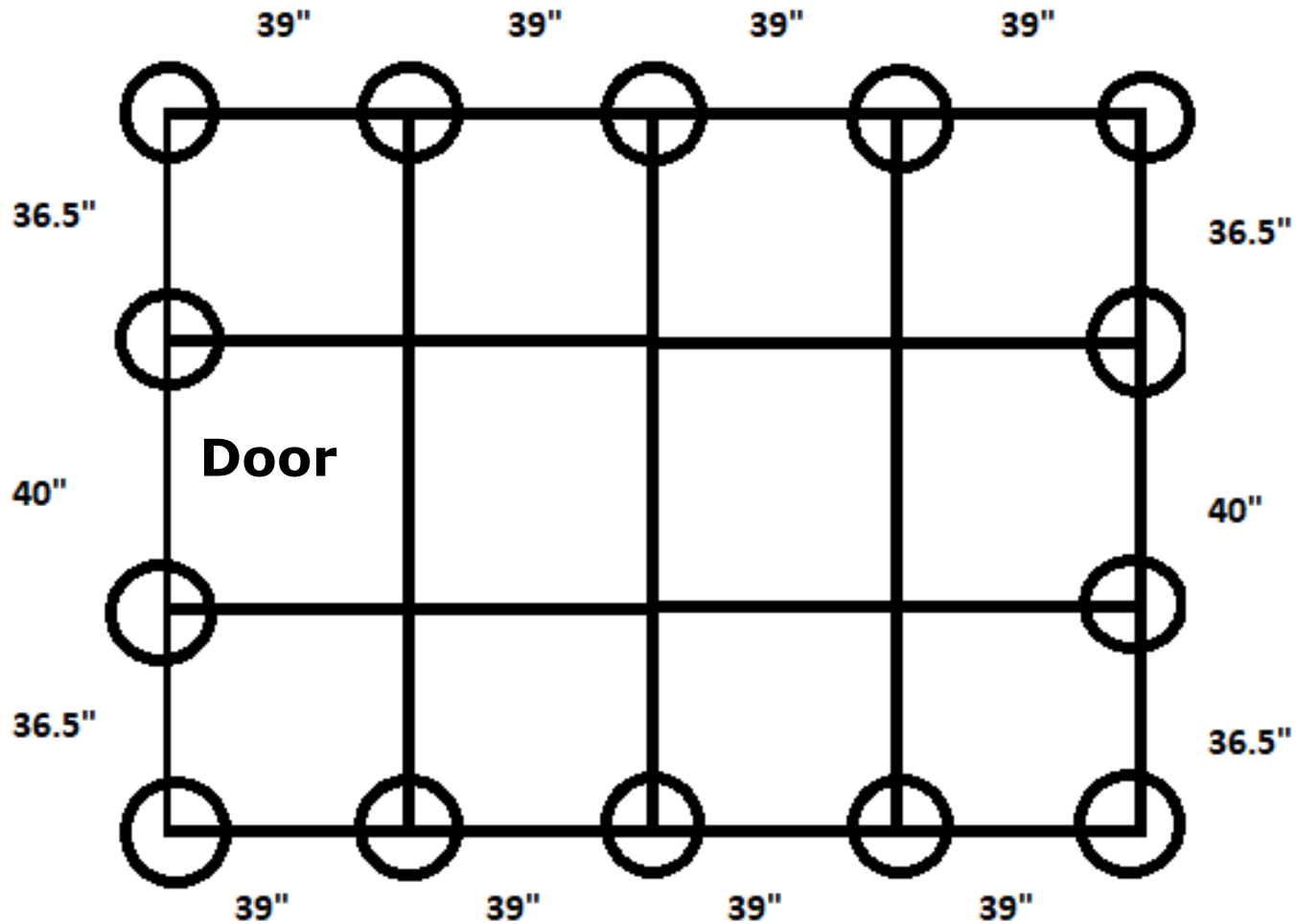


PS GREENHOUSE
(9.84'W x 13.12'L x 6.89'H)
(3m x 4m x 2.1m)

ASSEMBLY INSTRUCTIONS

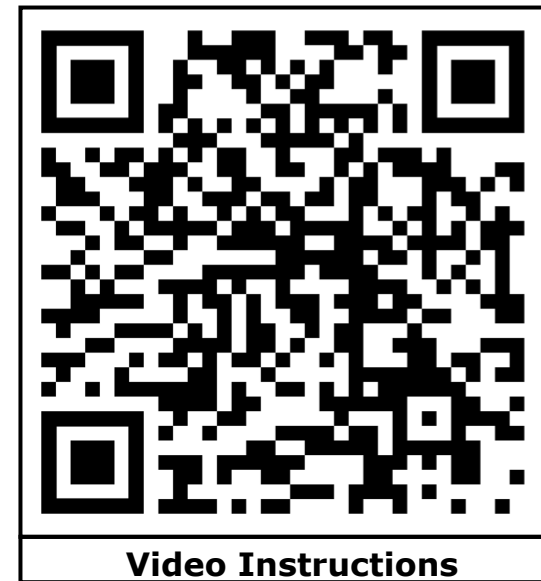
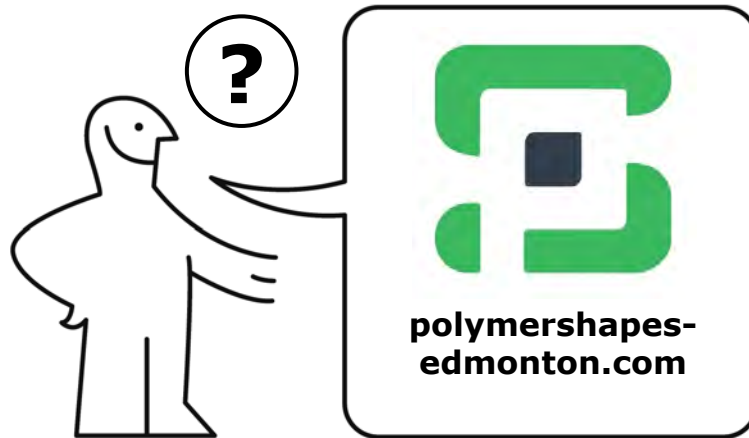
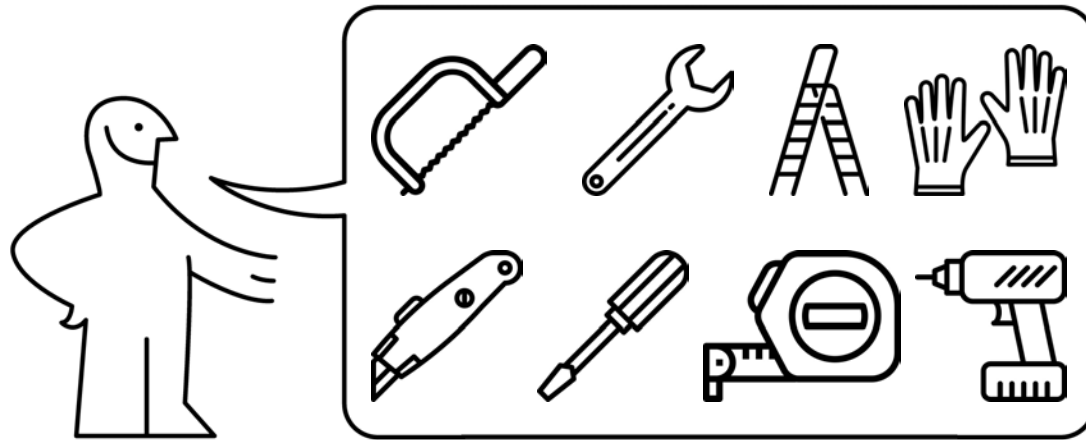
Greenhouse Ground Hole Layout



Holes should be at least 10" in diameter

Measurement is from middle of hole to middle of next hole

Measure ground to Thermoclear for hole depth (may vary)



BOX 1/4 - W 30 x L 175 x H 6.0 cm – 31 kg		BOX 2/4 - W 60 x L 197 x H 8.5 cm – 30 kg	
Piece No.	Quantity	Piece No.	Quantity
Nr.1	5	Nr.3	6
Nr.2	10	Nr.4	14
Nr.3	4	Nr.5	4
Nr.12a	4	Nr.7	6
Nr.12b	4	Nr.8	4
Nr.13	5	Nr.8-1	4
K1	6	Nr.10	5
K2	12	D1	3
D5	6	D2	3
D6	3	D3	9
Gasket slides Ø40		BOX 3/4 - W 60 x L 95.5 x H 9.5 cm – 18 kg	
Screws M5 x 12 / M5 x 40		Piece No.	Quantity
Washers M5		Nr.9	4
Double sided sticky tape	1	Nr.11	28
4/4 - Polycarbonate Bundle - W 110 x L 205 x H 15 cm – 67 kg			
Piece No.	Quantity	Width, cm	Length, cm
PC1A - Arch Shapes	4	105	200
PC2	2	105	99
PC3	2	105	94
PC4 - Top Arches	2	105	17
PC5	4	105	198
PC6	4	99	198
PC7 - Straight Cuts	1	99	200
PC7-V - Roof Vent Cut Out	1	105	200
PC1B - Straight Cuts	2	105	200

Supplemental Hardware: 1 Aluminum Plate + 14 M5x50 extended machine screws + 4 self tapping screws 3

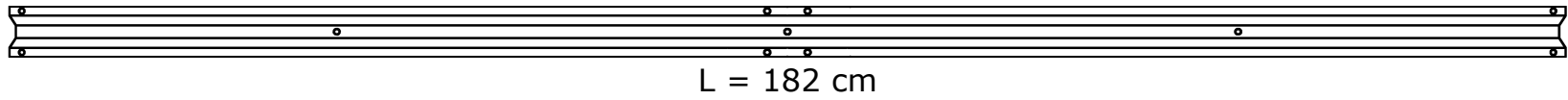
Extension for 3 x 6 m (1 x BOX 1/2 + Polycarbonate Bundle)**BOX 1/1 - W 31 x L 176 x H 7.0 cm – 23 kg**

Piece No.	Quantity		
Nr.1	2		
Nr.2	4		
Nr.3	4		
Nr.4	4		
Nr.7	4		
Nr.11	14		
Nr.12a	4		
Nr.13	2		

2/2 - Polycarbonate Bundle - W 110 x L 205 x H 7.0 cm – 8 kg

Piece No.	Quantity	Width, cm	Length, cm
PC6	4	99	198
PC7	2	99	200

Extension for 3 x 8 m - 2 x BOX 1/2 & 2 x Polycarbonate Bundles (2/2)**Extension for 3 x 10 m - 3 x BOX 1/2 & 3 x Polycarbonate Bundles (2/2)****4x M5x50 extended bolts per extension for strapping**



Nr.1 (x5)

L = 182 cm



Nr.2 (x10)

L = 120 cm



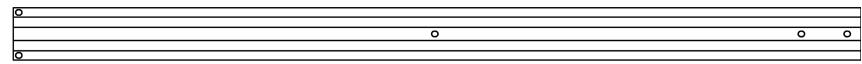
L = 123 cm

Nr.3 (x10)



Nr.4 (x14)

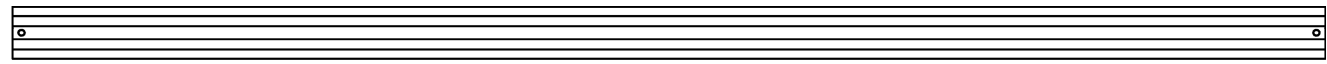
L = 20 cm



Nr.5 (x4)

L = 92,5 cm

This side up!



Nr.7 (x6)

L = 147 cm



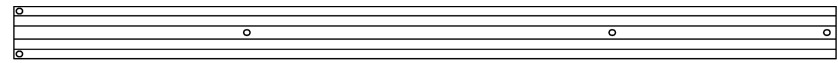
Nr.8 (x4)

L = 197 cm



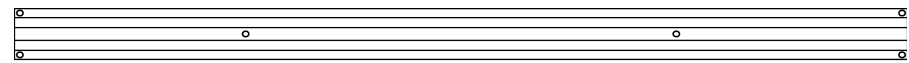
L = 36 cm

Nr.8-1 (x4)



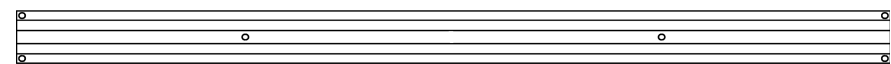
Nr.9 (x4)

L = 90 cm



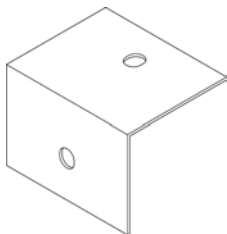
Nr.10 (x5)

L = 98,5 cm

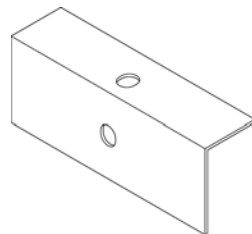


Nr.11 (x28)

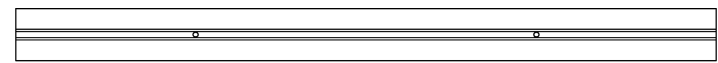
L = 95,5 cm



K1 (x6)

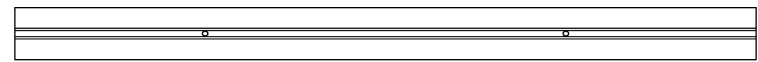


K2 (x12)



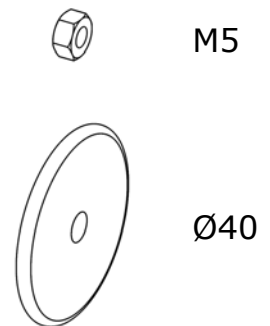
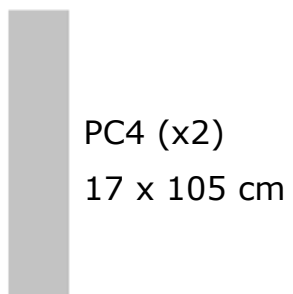
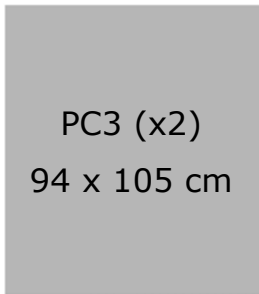
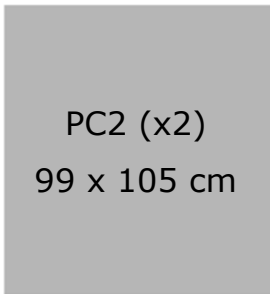
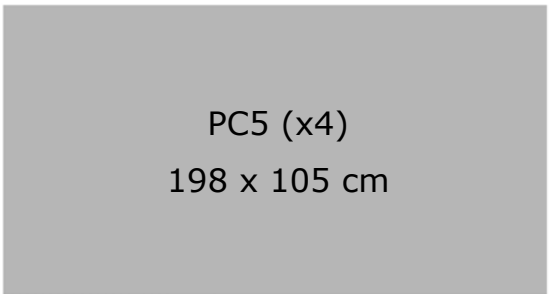
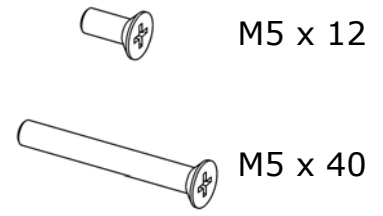
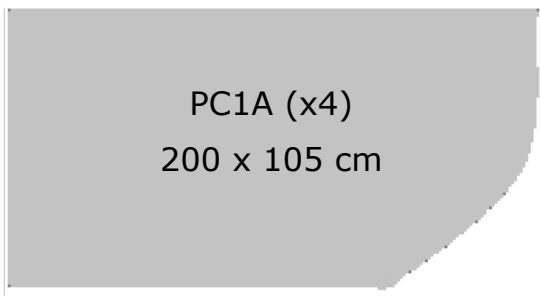
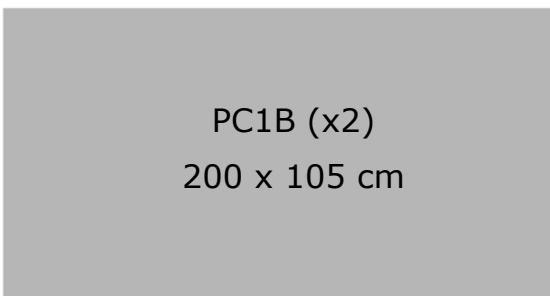
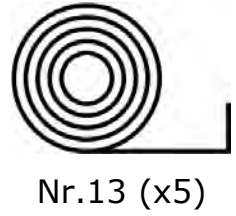
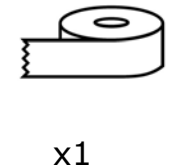
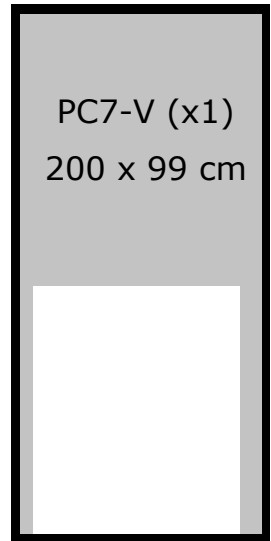
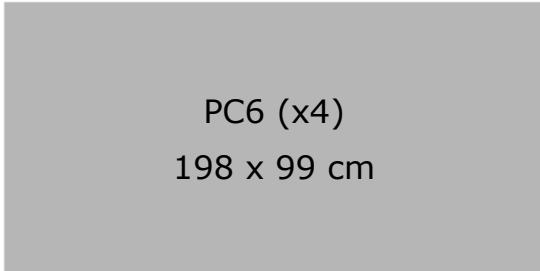
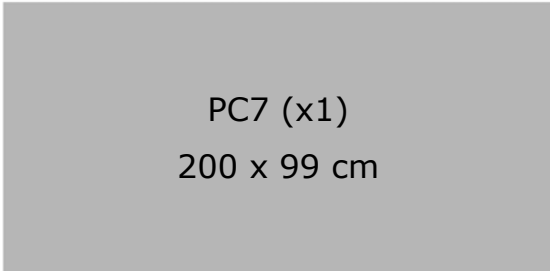
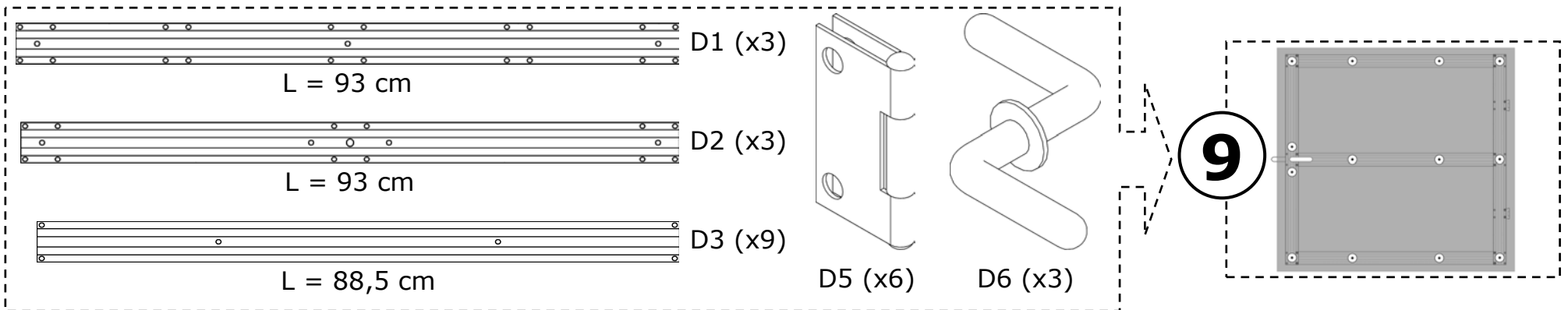
Nr.12a (x4)

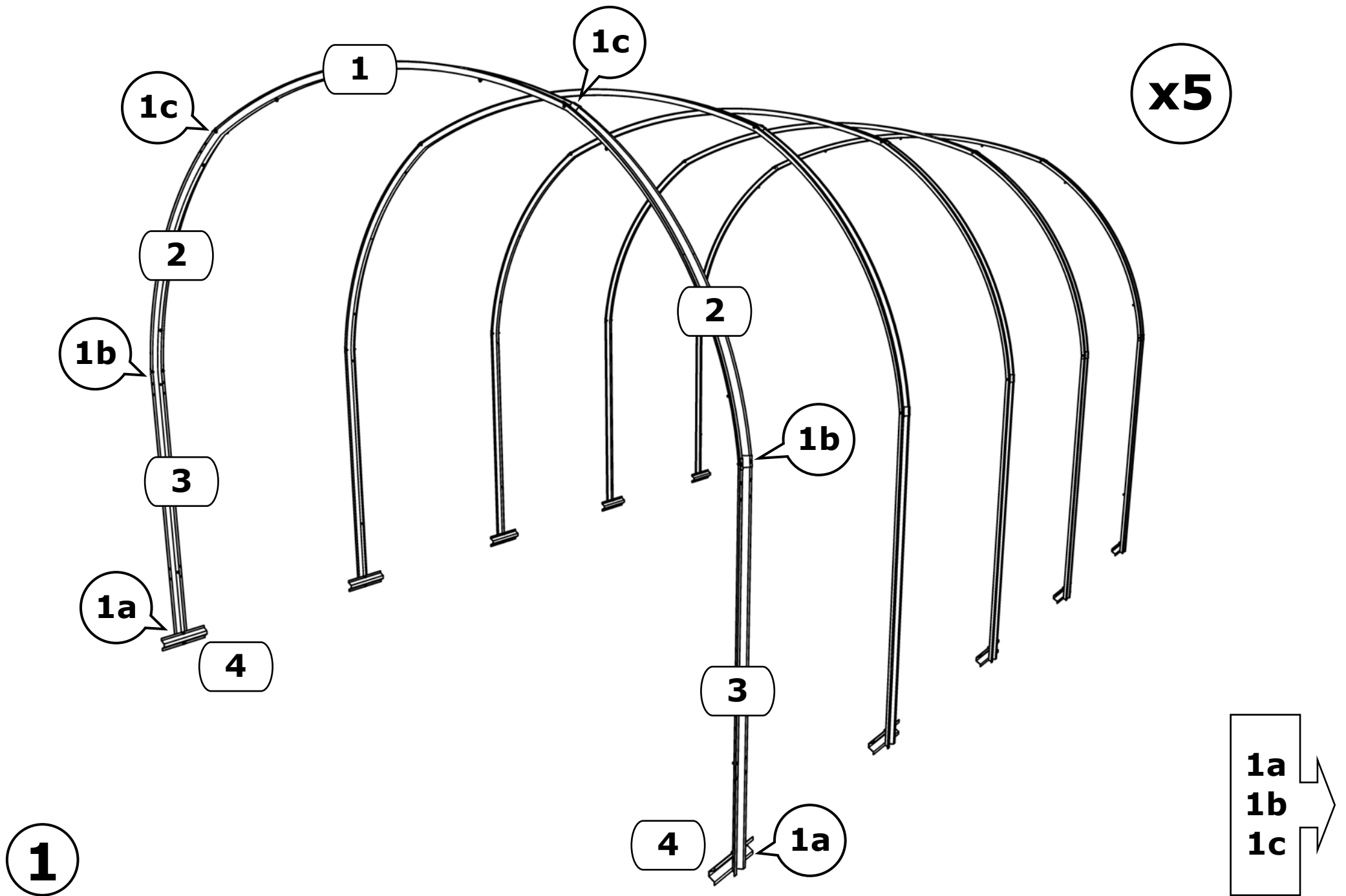
L = 99 cm



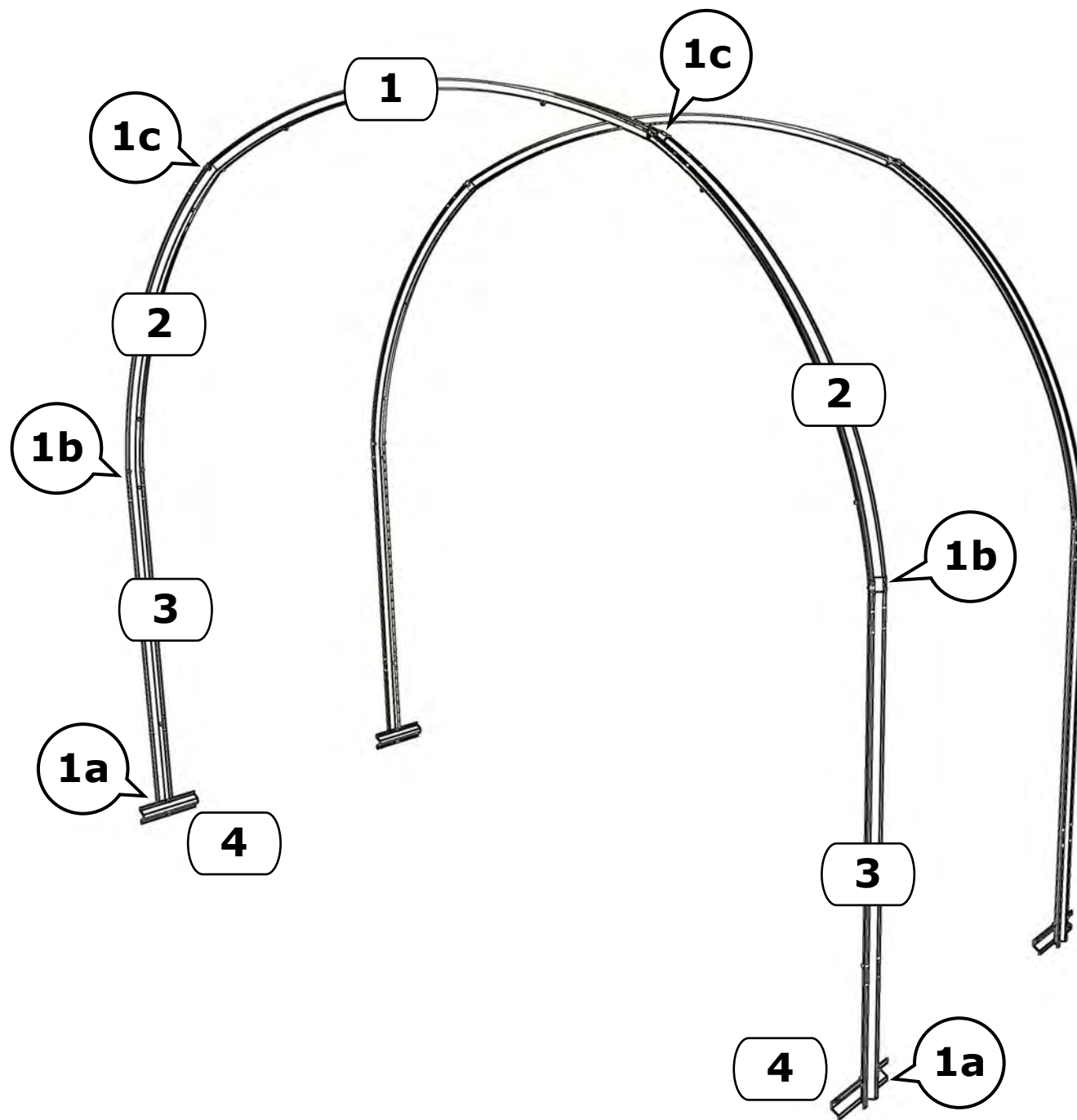
Nr.12b (x4)

L = 105 cm

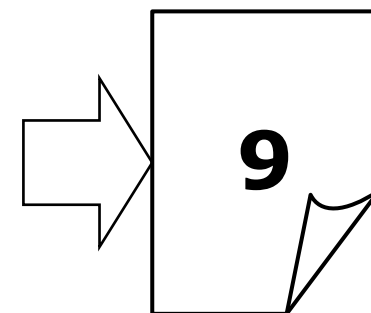




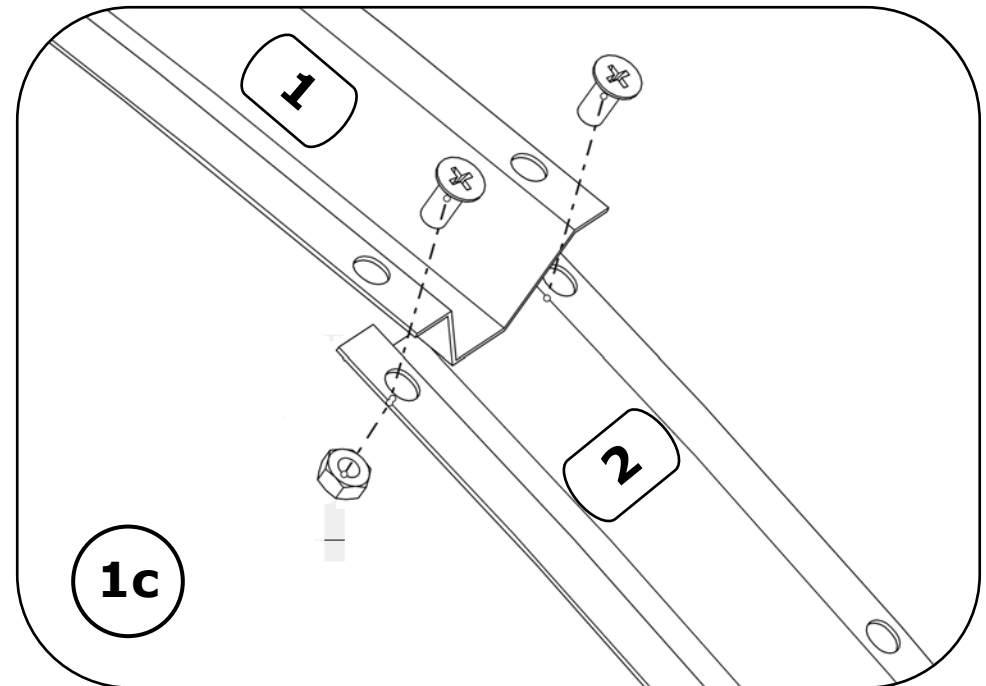
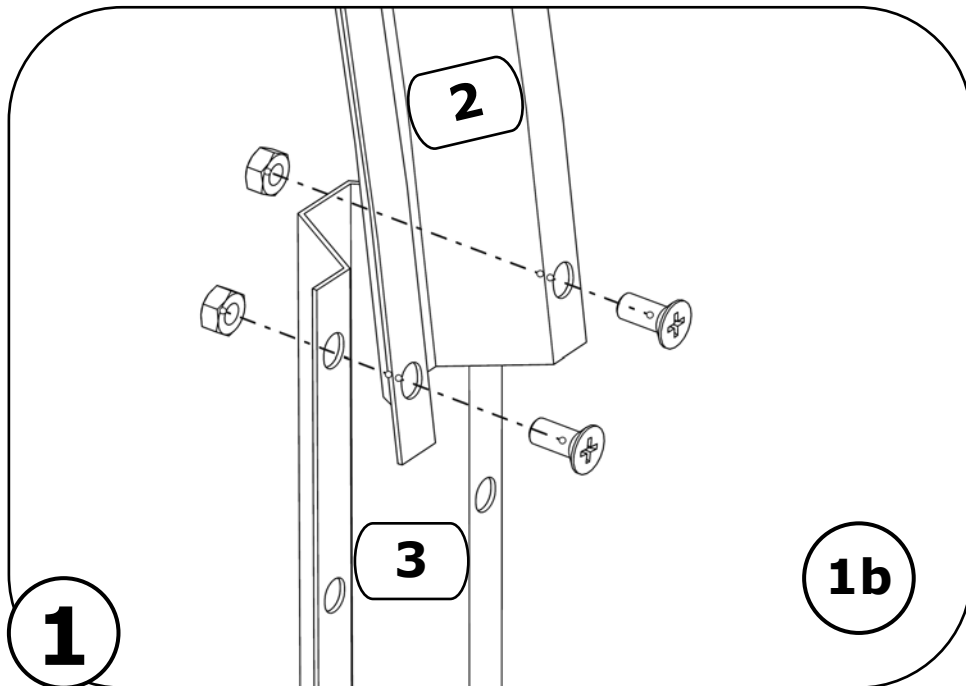
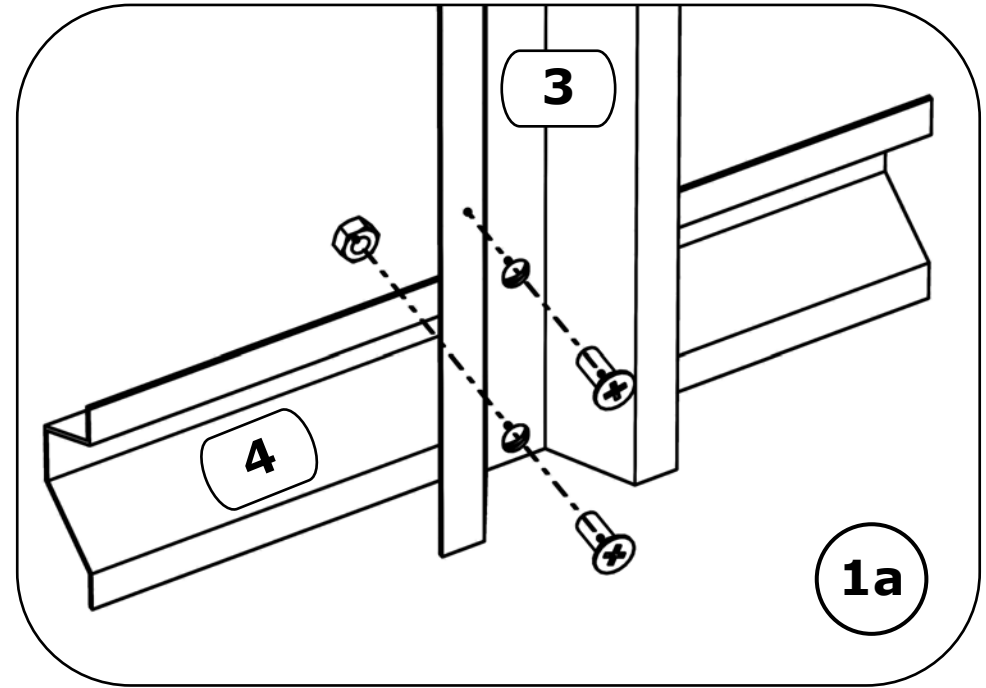
****PERFORM IF YOU HAVE EXTENSION, IF NOT, PROCEED TO NEXT PAGE****



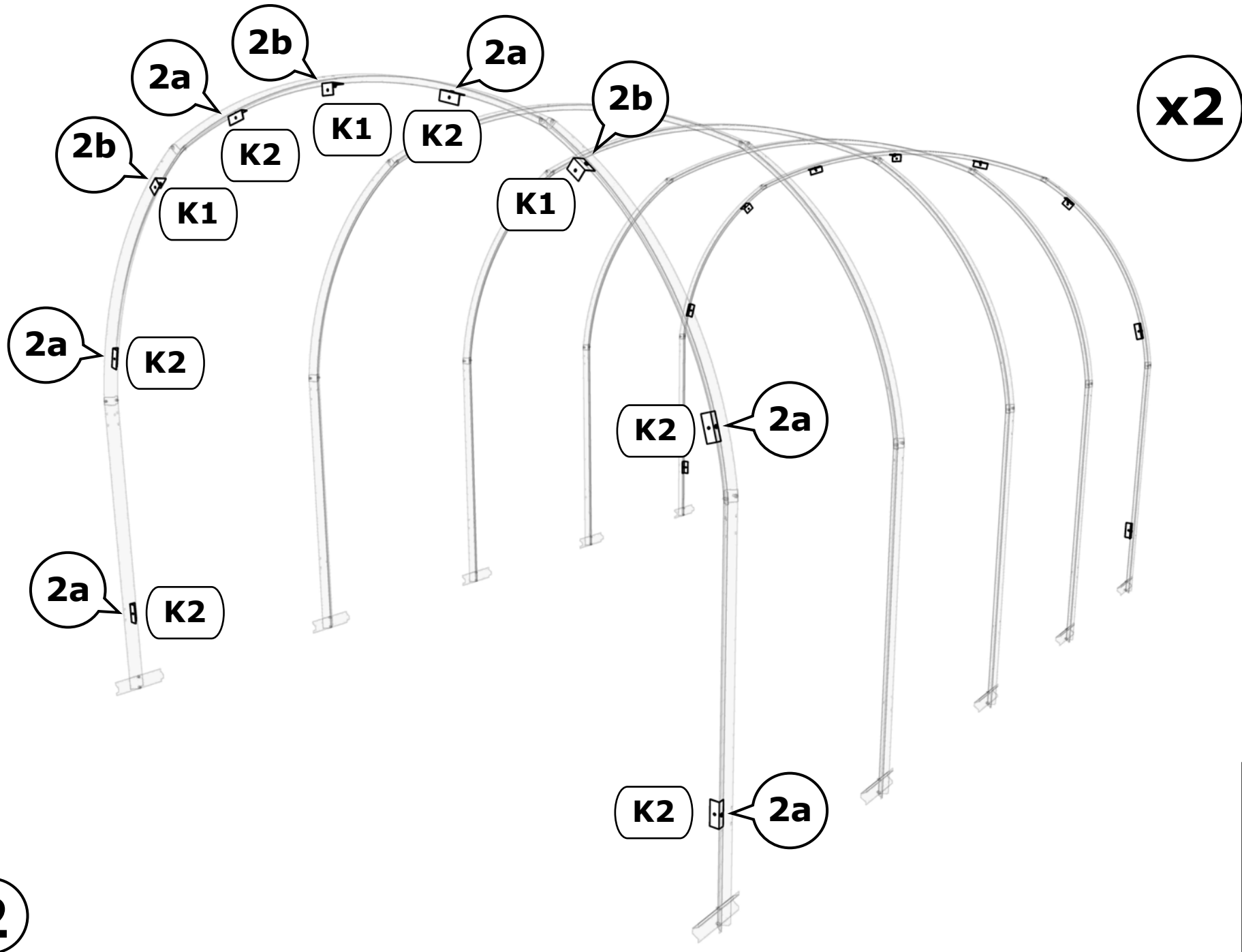
1 ext - x1
2 ext - x2
3 ext - x3



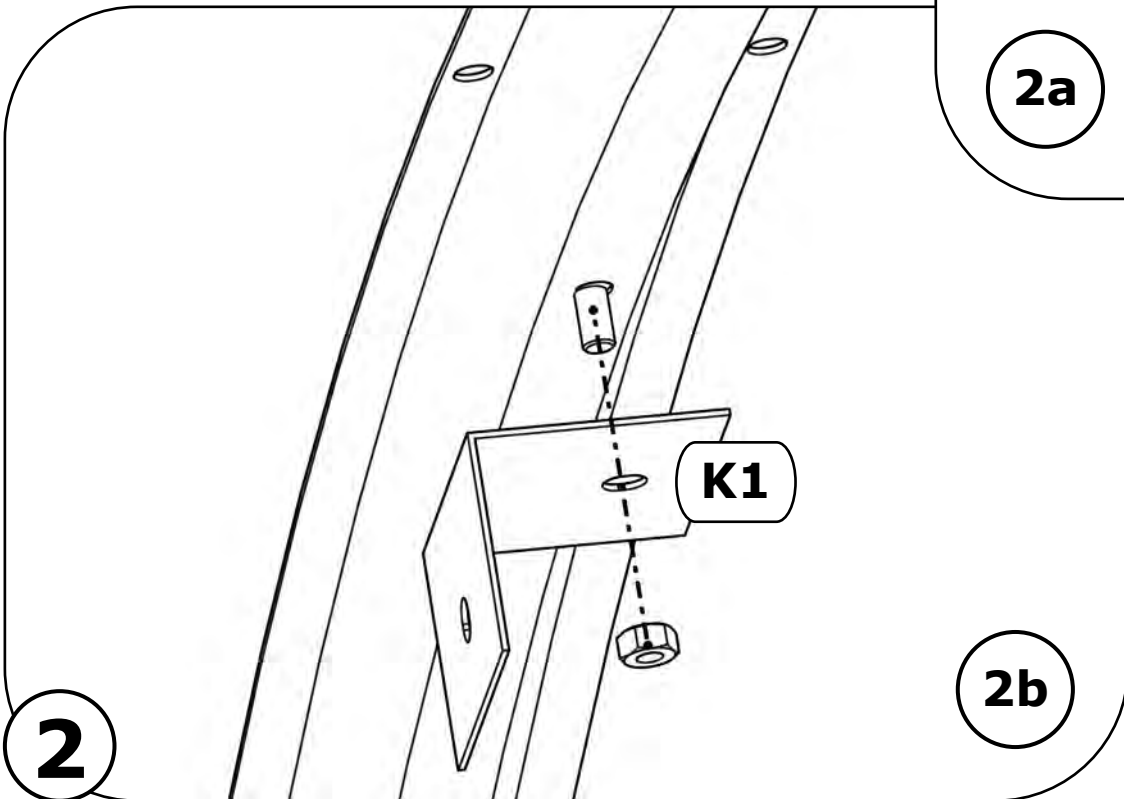
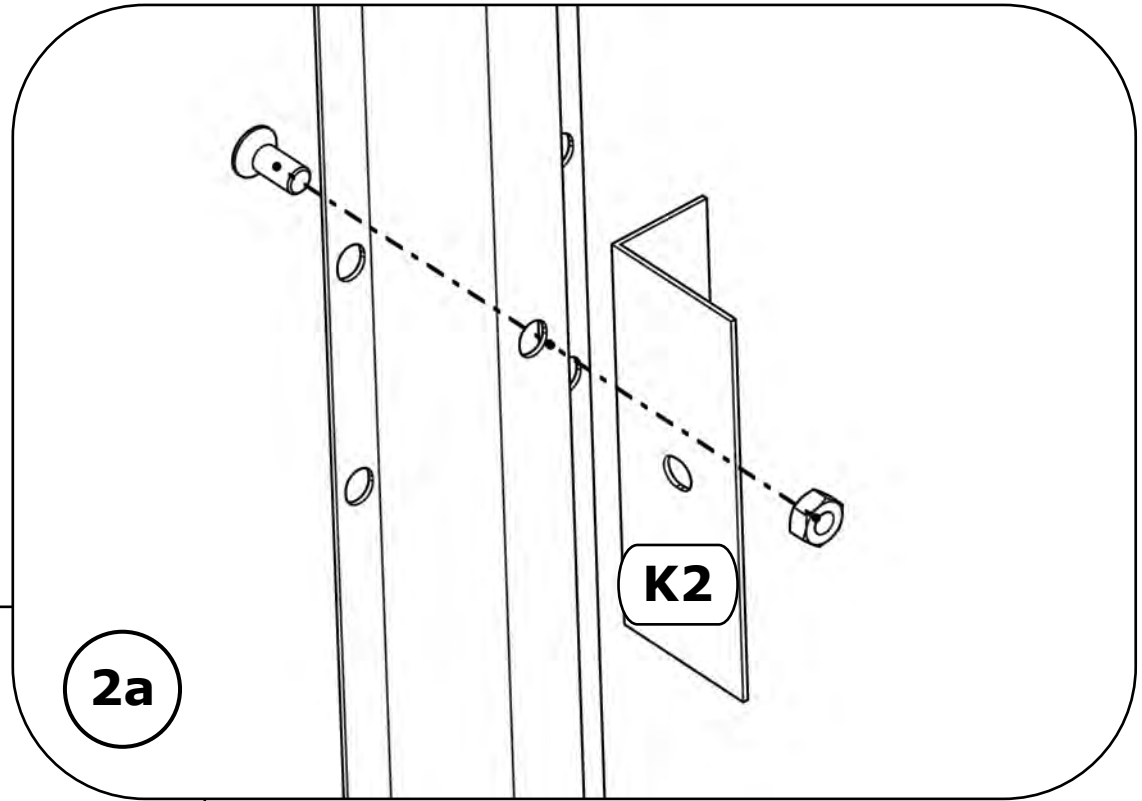
Piece No.	Quantity			
	3 x 4 m	3 x 6 m	3 x 8 m	3 x 10 m
Nr.1	5	10	15	20
Nr.2	10	20	30	40
Nr.3	10	20 </td <td>30</td> <td>40</td>	30	40
Nr.4	10	20	30	40
Screws M5 x 12				
Washers M5				



2

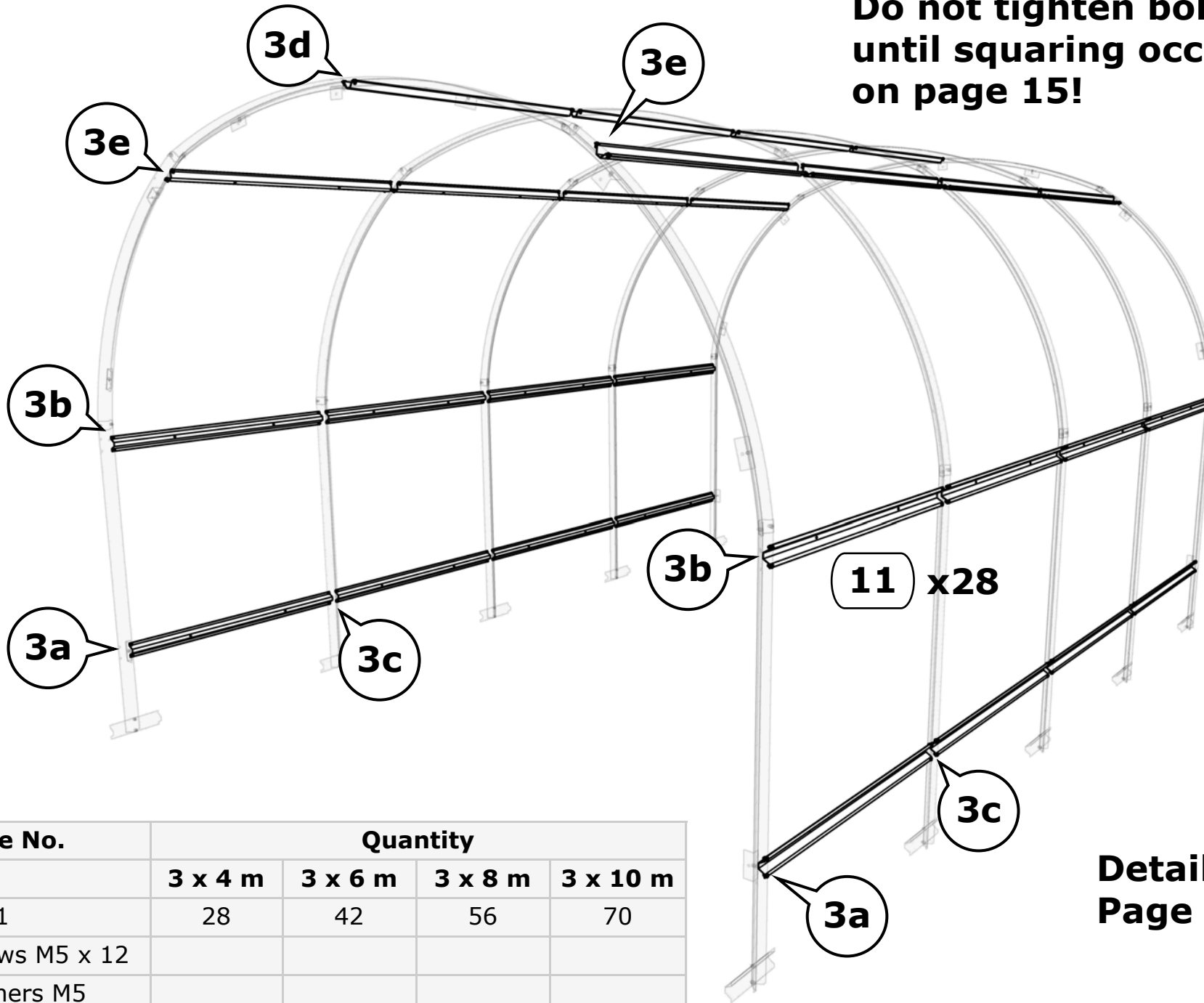


Piece No.	Quantity
K1	6
K2	12
Screws M5 x 12	
Washers M5	



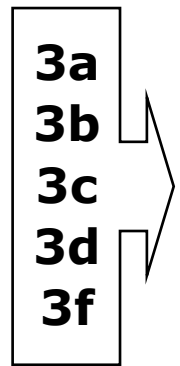
Do not tighten bolts until squaring occurs on page 15!

3

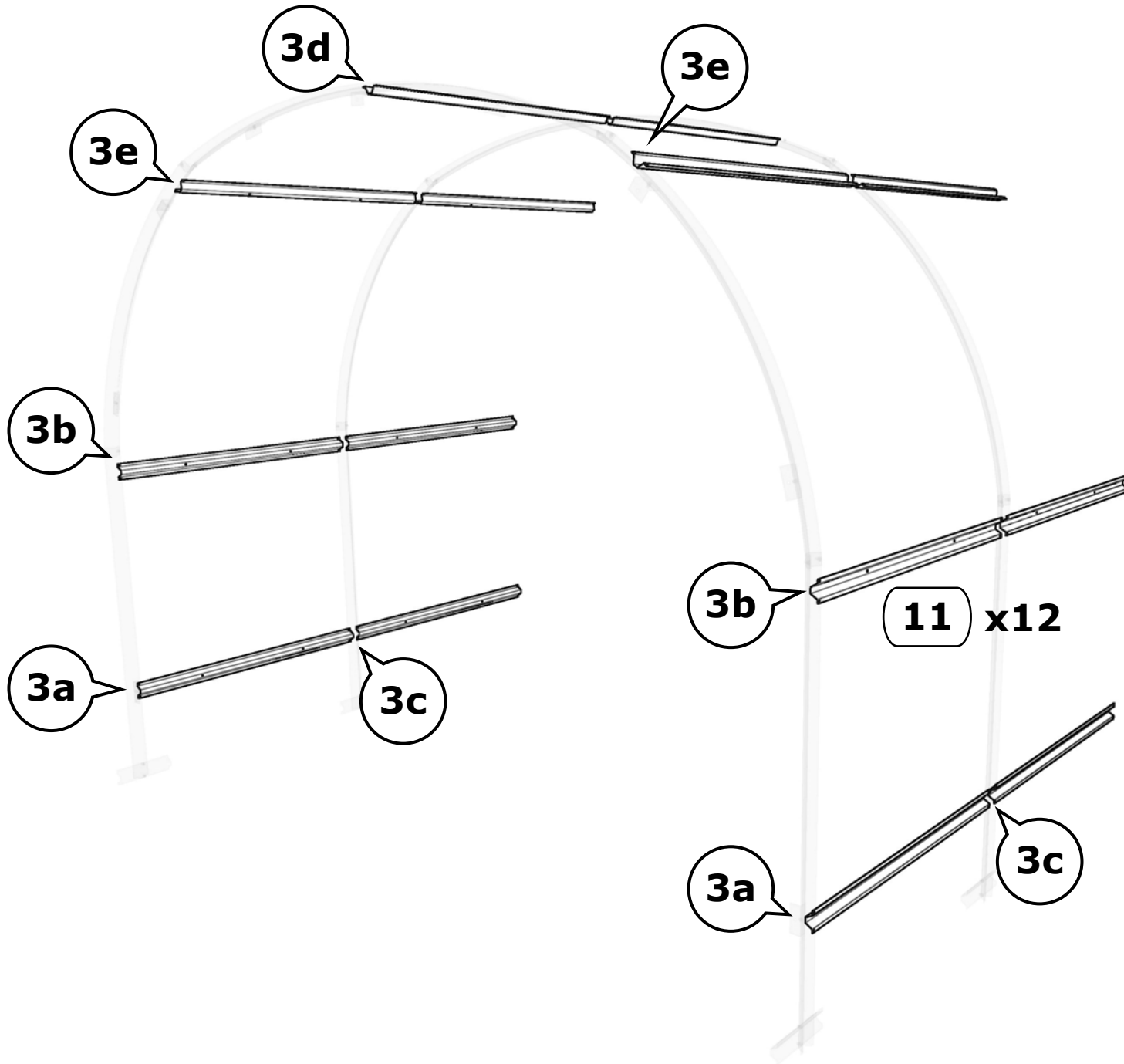


Piece No.	Quantity			
	3 x 4 m	3 x 6 m	3 x 8 m	3 x 10 m
Nr.11	28	42	56	70
Screws M5 x 12				
Washers M5				

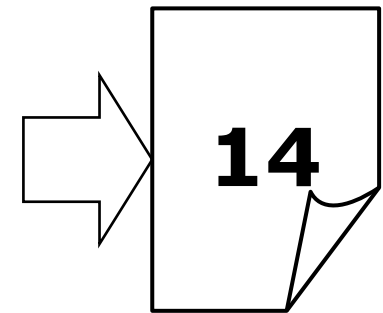
Details on Page 14

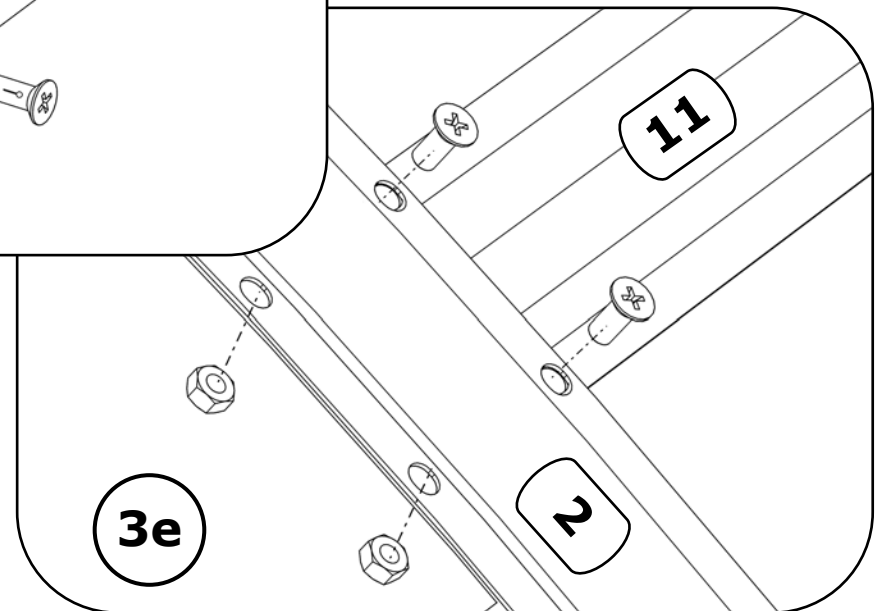
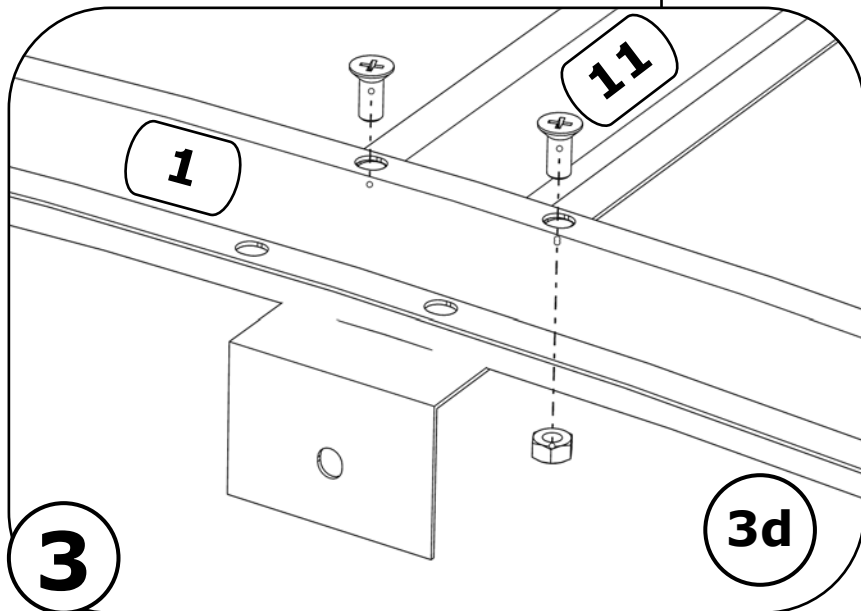
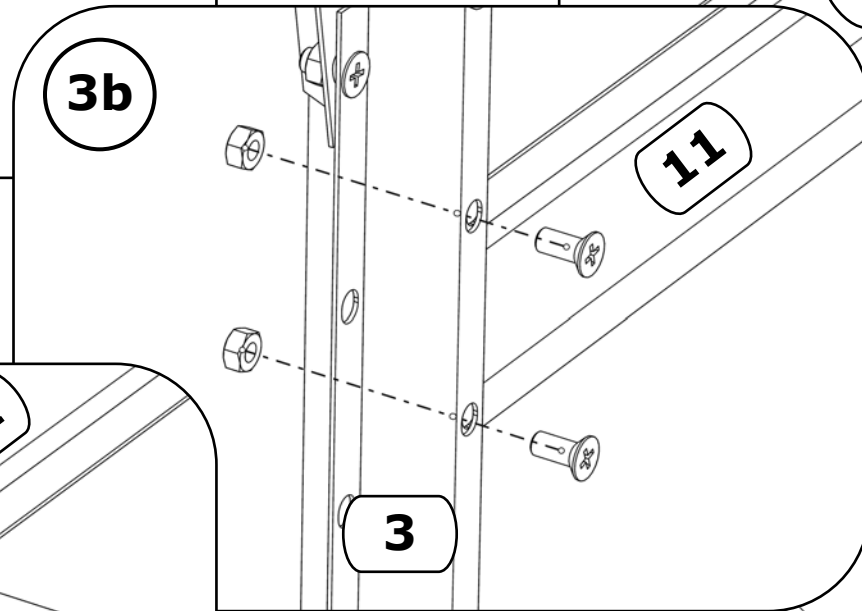
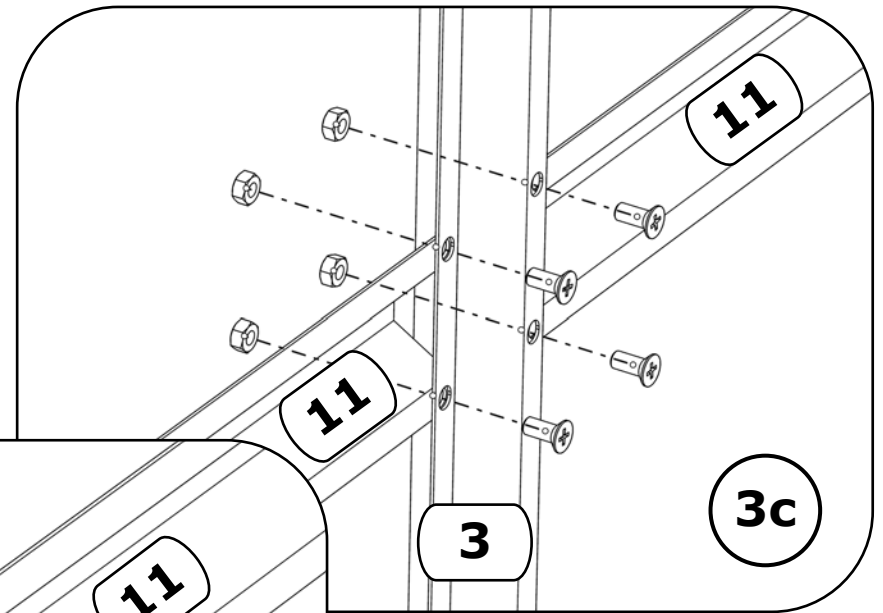
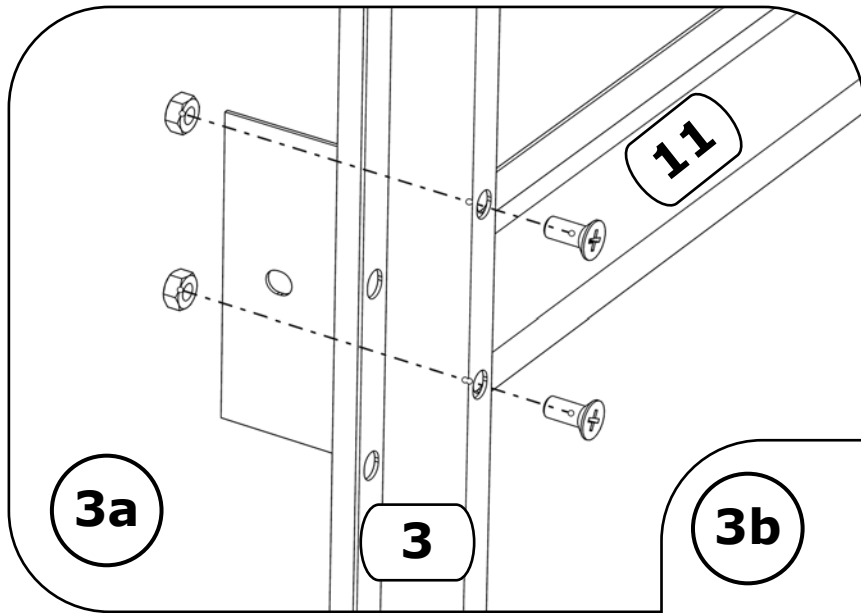


****PERFORM IF YOU HAVE EXTENSION, IF NOT, PROCEED TO NEXT PAGE****

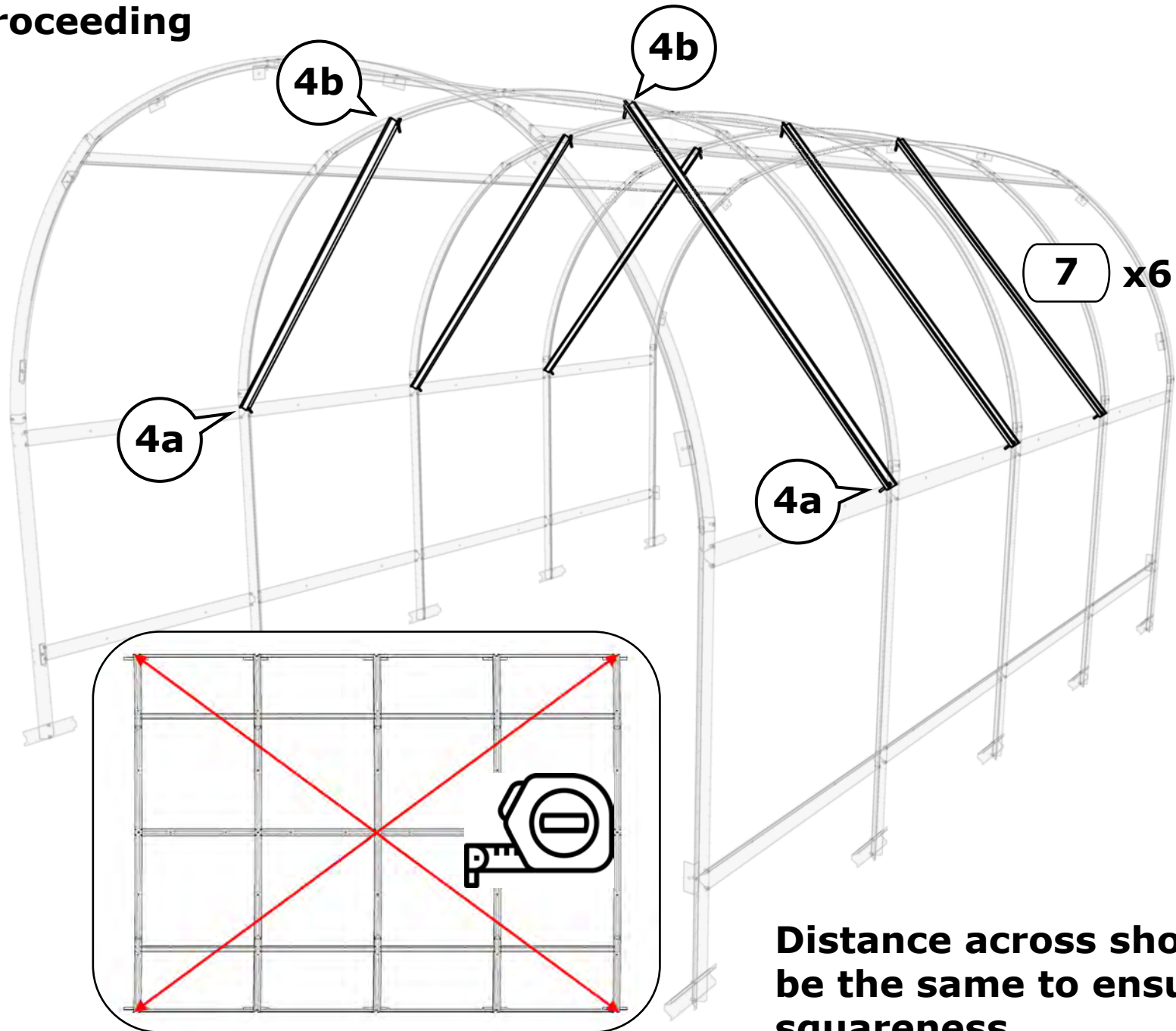


1 ext - x1
2 ext - x2
3 ext - x3





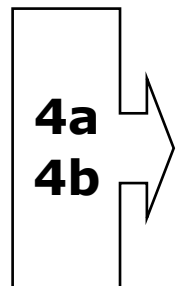
**Measure corner to corner
to square greenhouse
before proceeding**



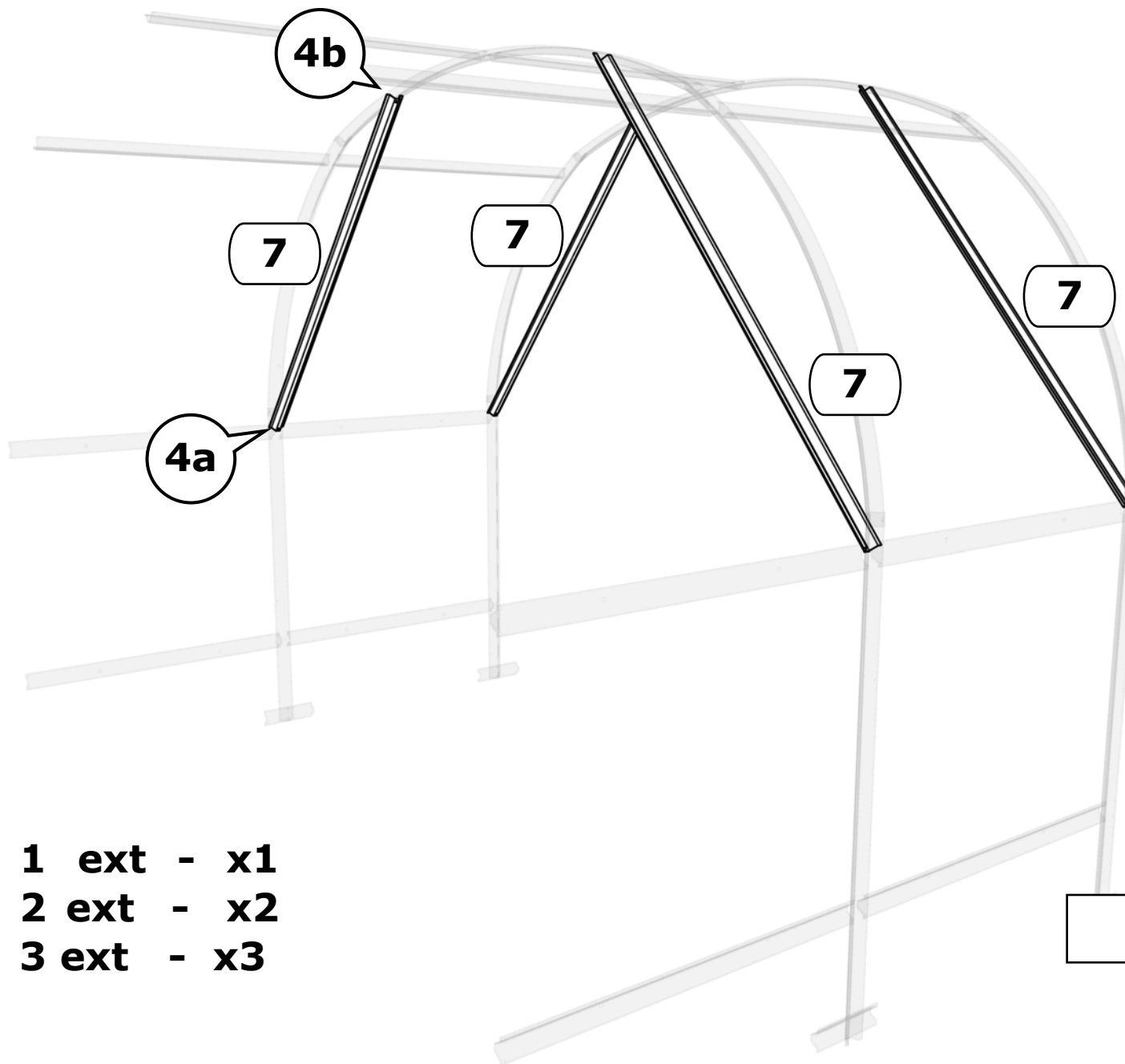
**Details on
page 17**

4

**Distance across should
be the same to ensure
squareness**

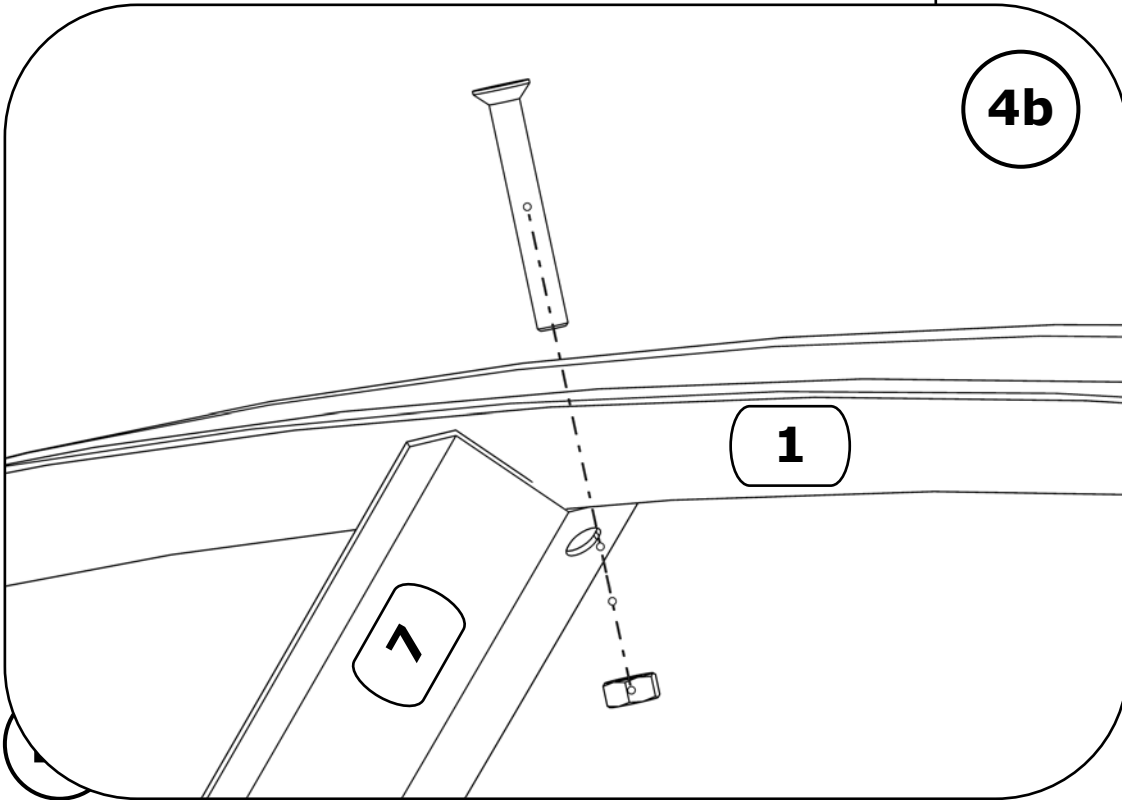
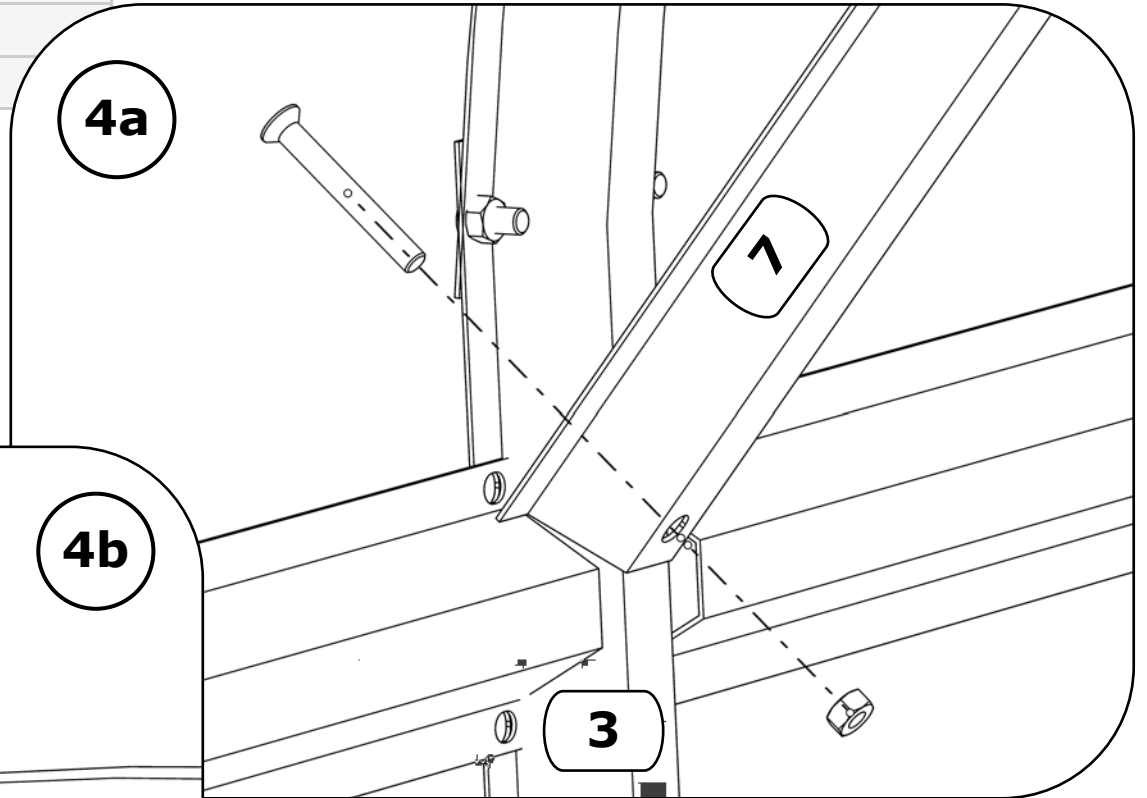


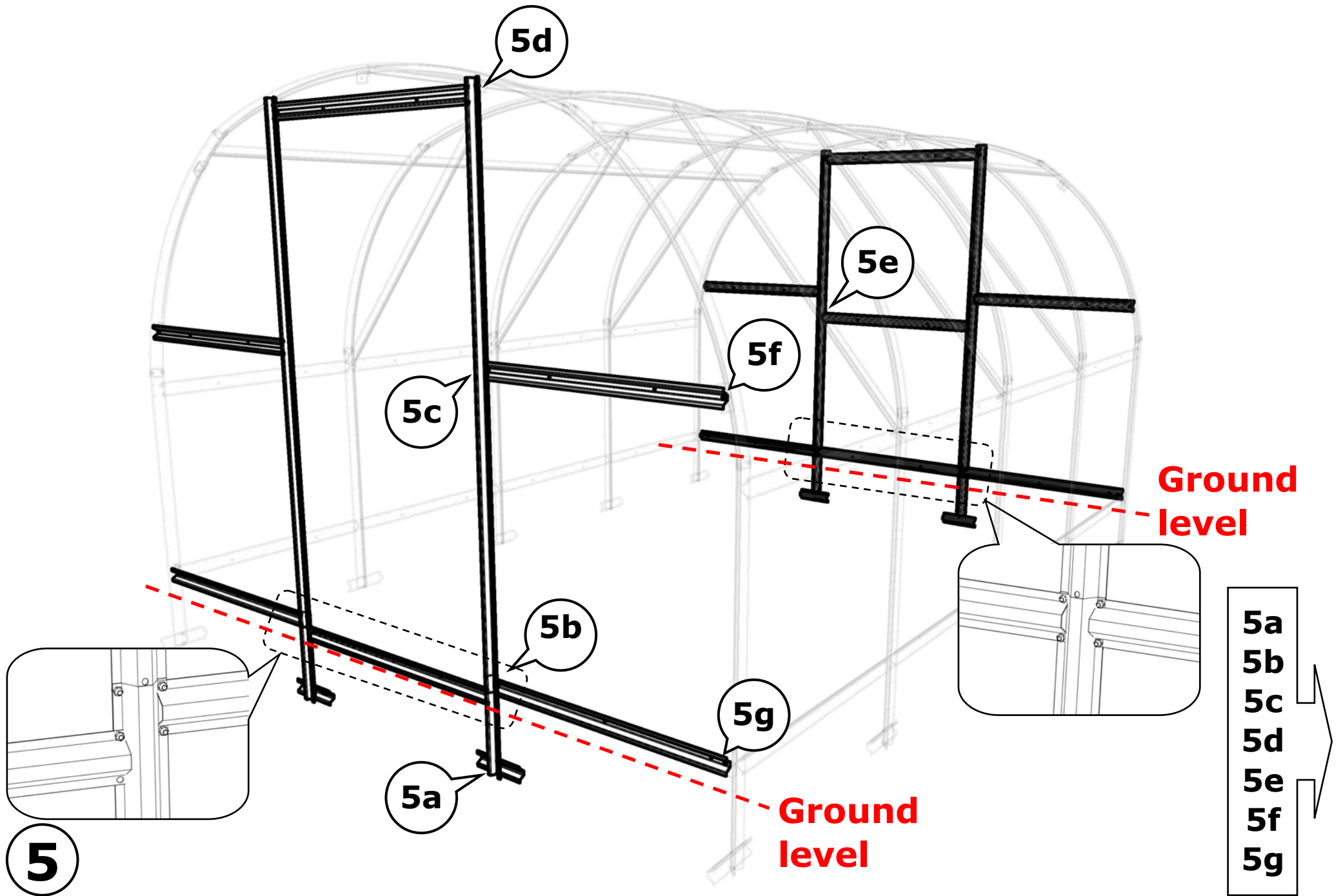
****PERFORM IF YOU HAVE EXTENSION, IF NOT, PROCEED TO NEXT PAGE****



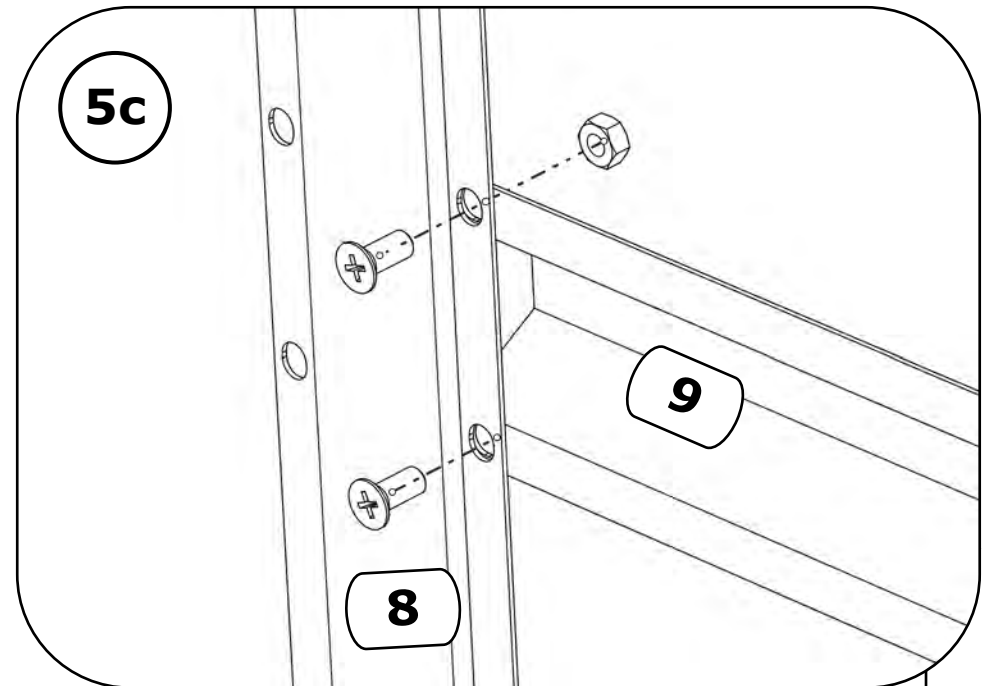
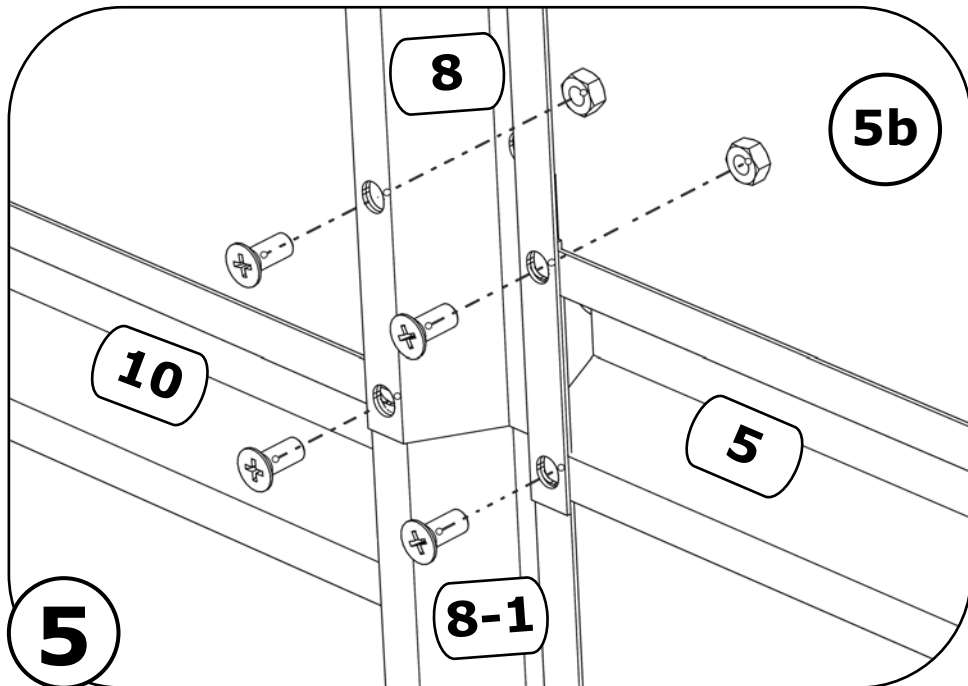
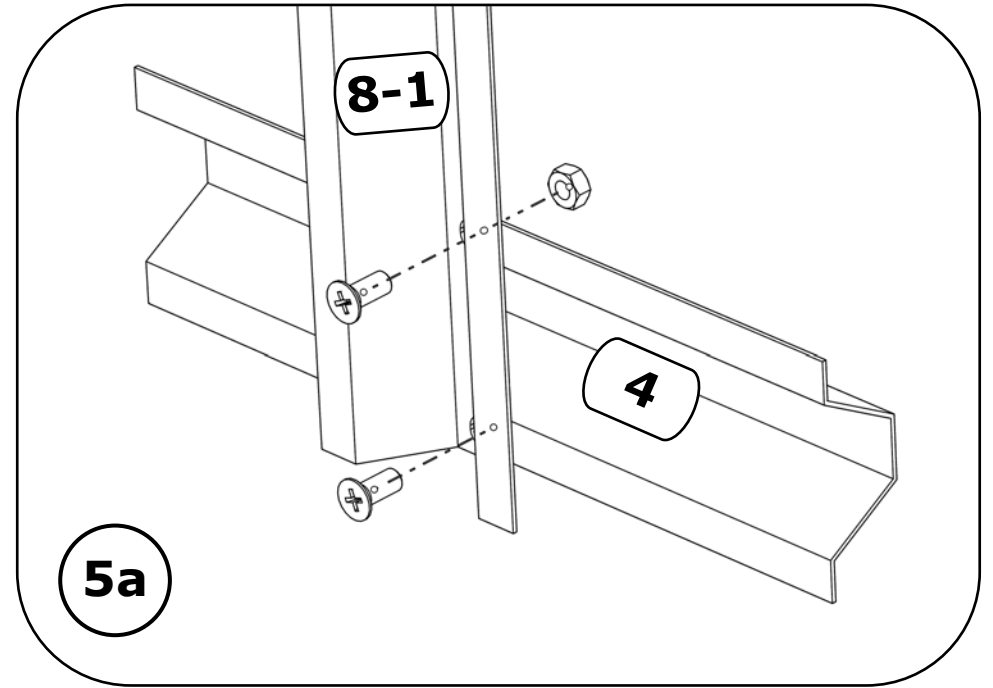
1 ext - x1
2 ext - x2
3 ext - x3

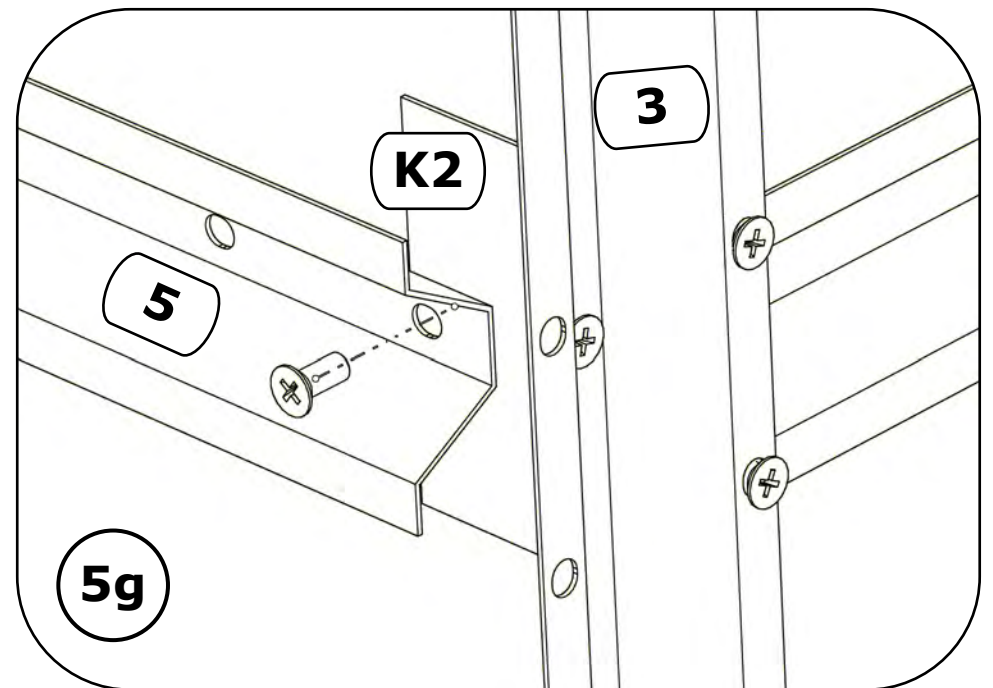
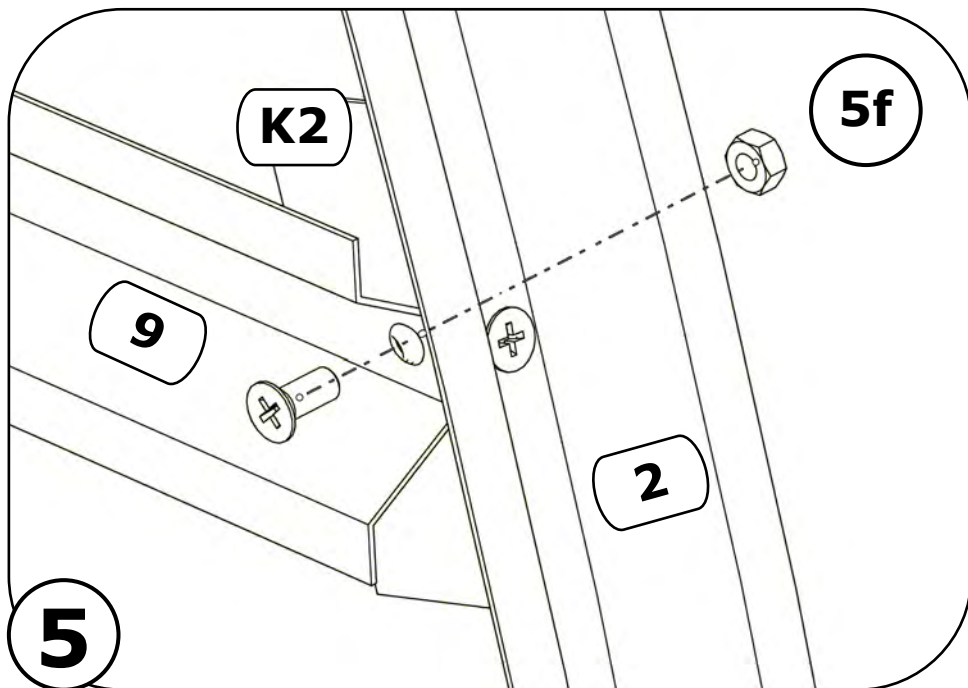
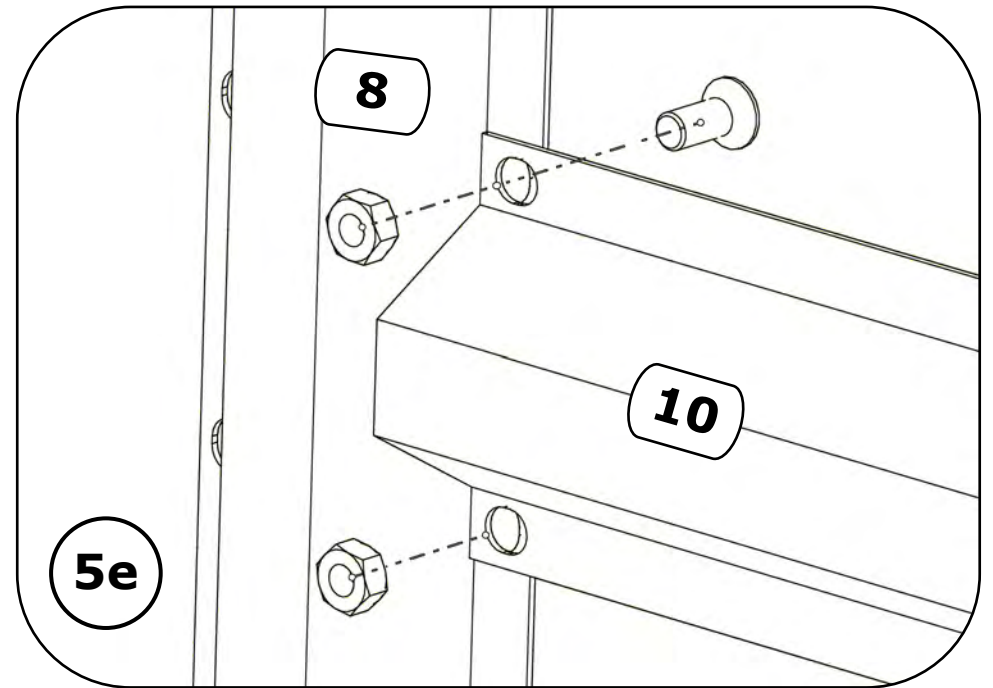
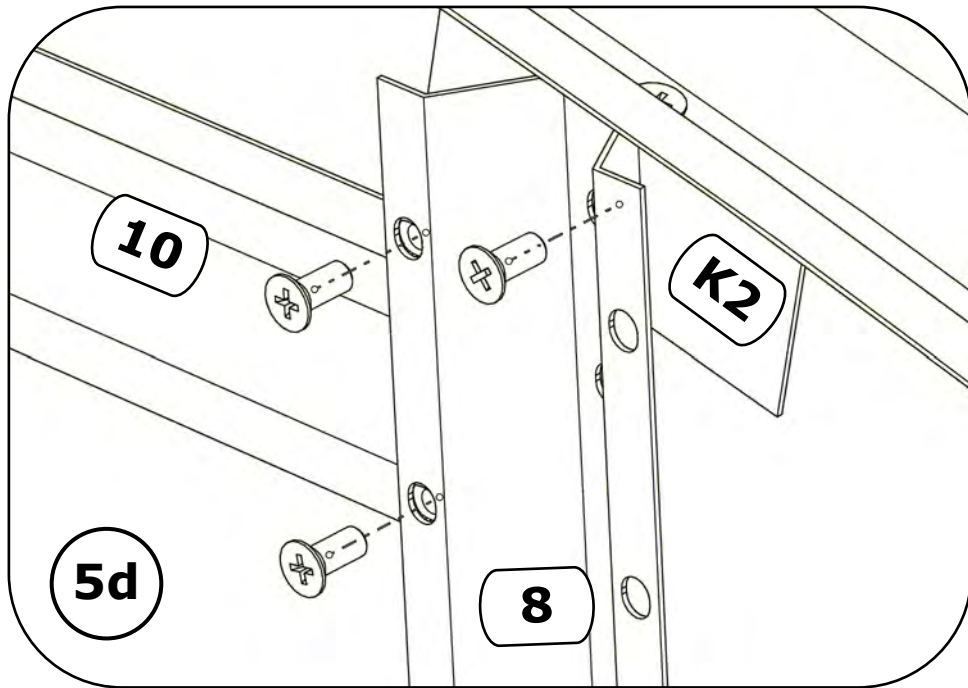
Piece No.	Quantity			
	3 x 4 m	3 x 6 m	3 x 8 m	3 x 10 m
Nr.7	6	10	14	18
Screws M5 x 40				
Washers M5				



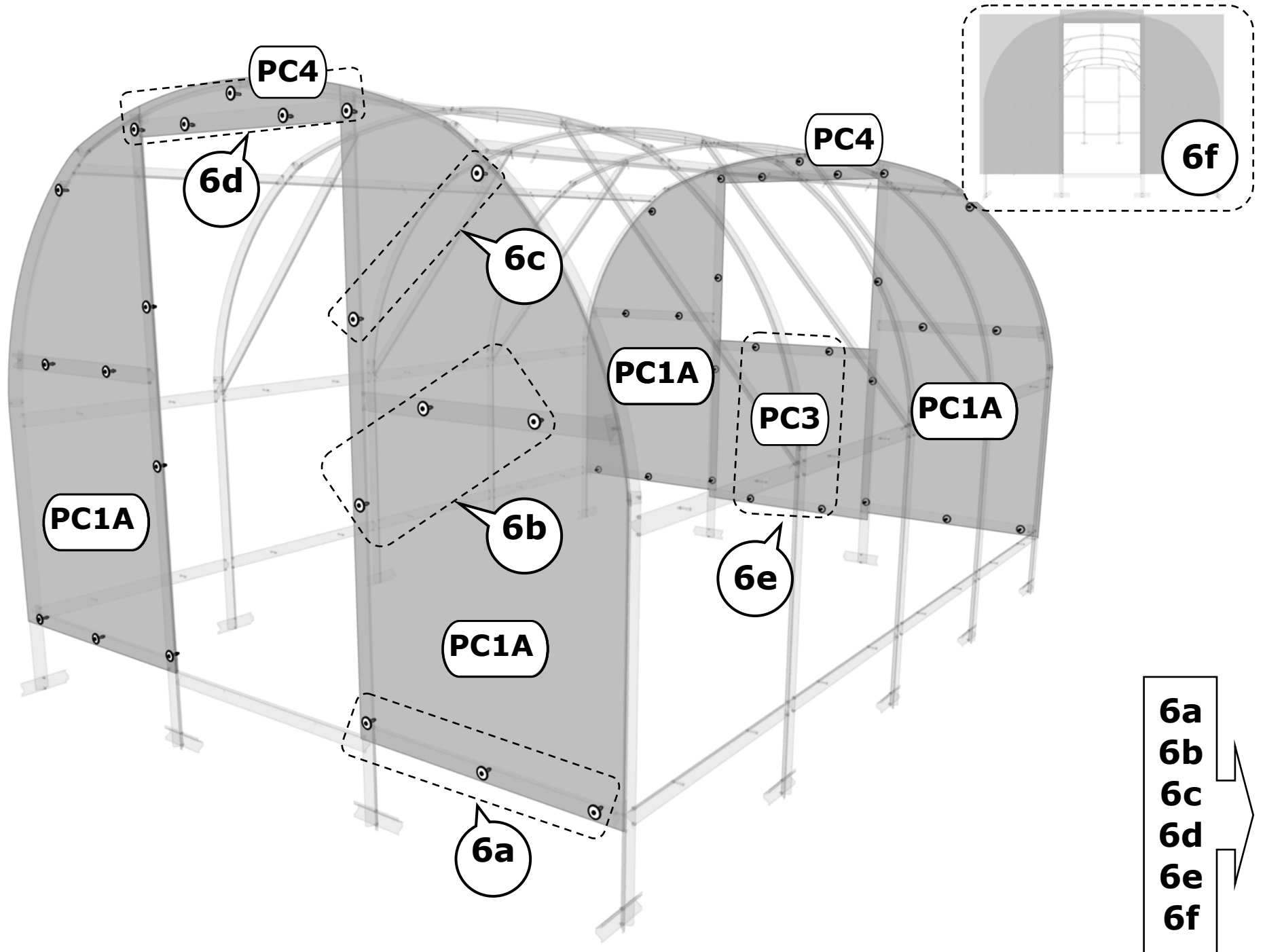


Piece No.	Quantity
Nr.4	4
Nr.5	4
Nr.8	4
Nr.8-1	4
Nr.9	4
Nr.10	5
Screws M5 x 12	
Washers M5	



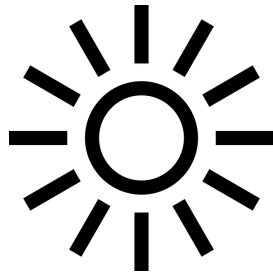


6

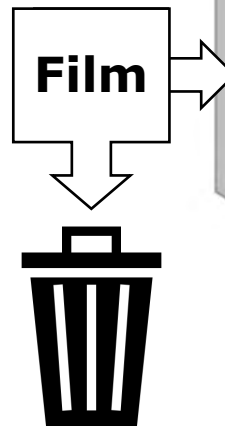


Piece No.	Quantity
PC1A	4
PC3	1
PC4	2
Screws M5 x 40	
Washers M5	
Gasket slides Ø40	

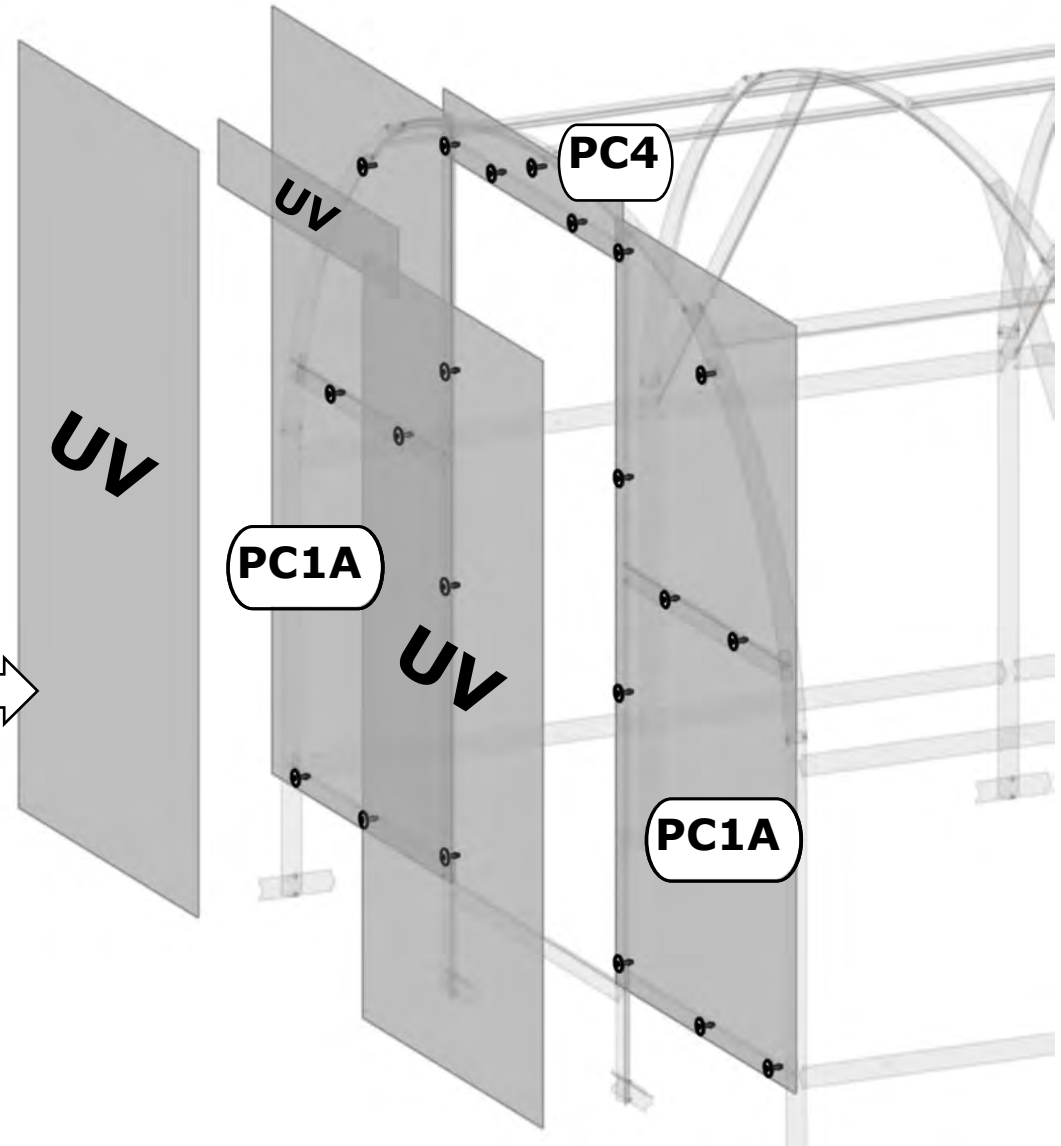
Screws M5 x 50 (for PC3)

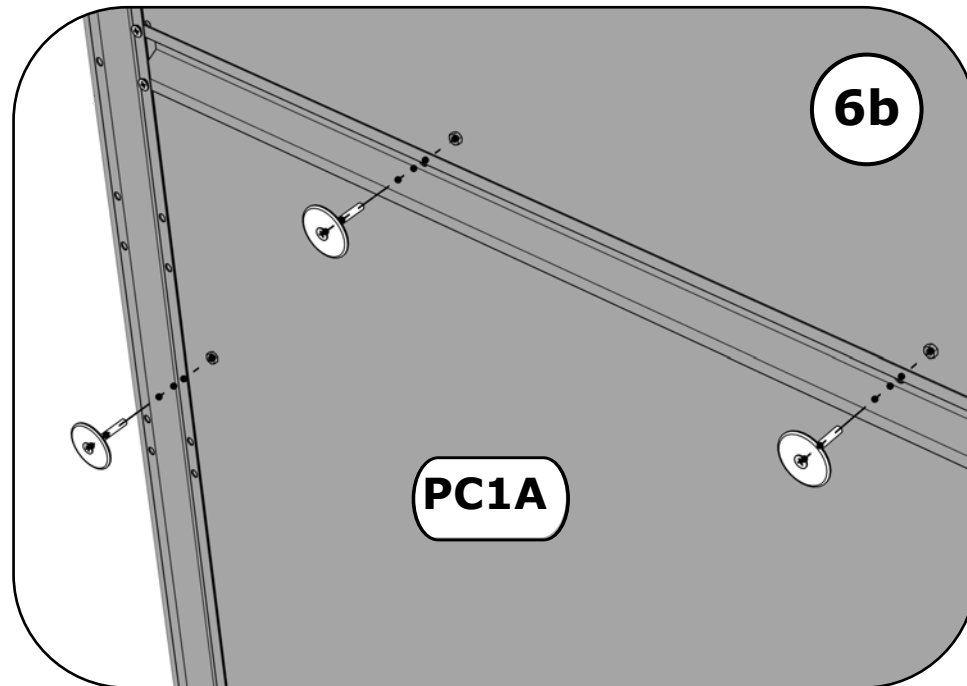
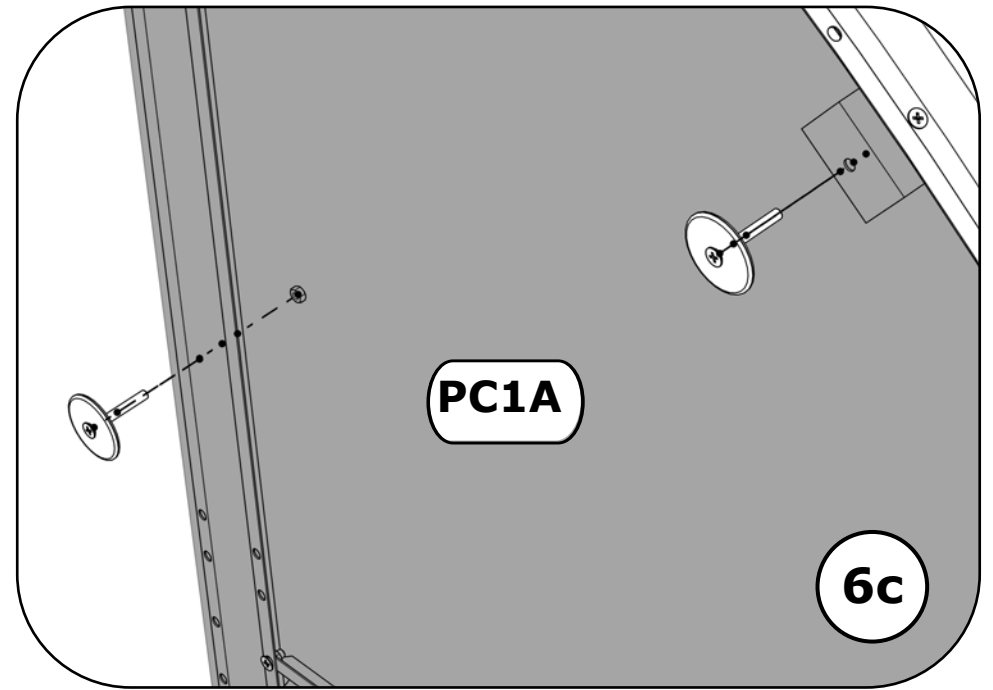
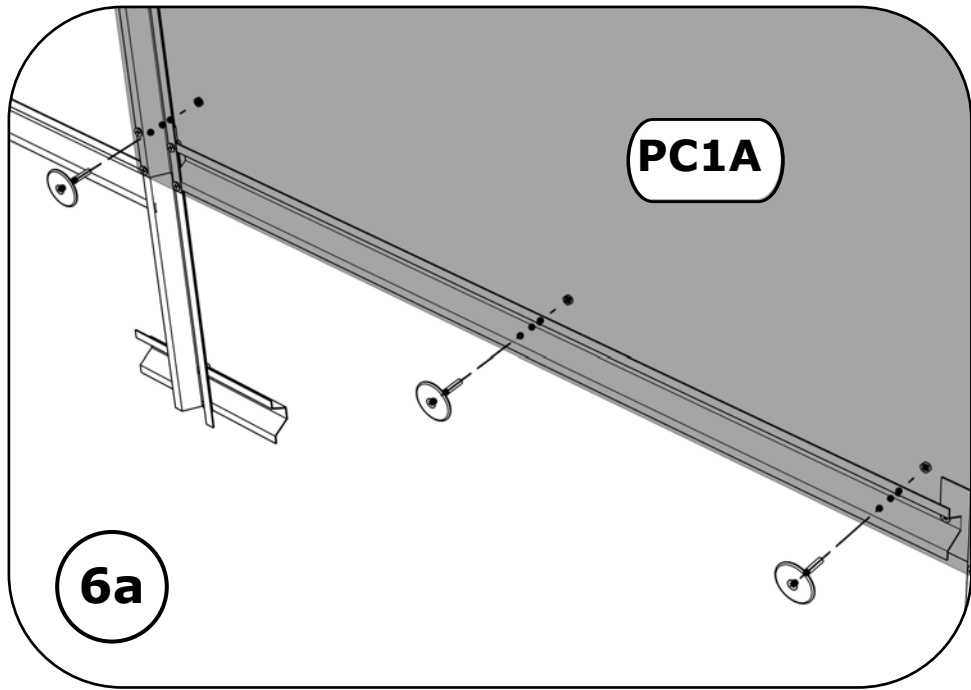


****IMPORTANT:
ENSURE UV SIDE IS
OUT ON SHEET****

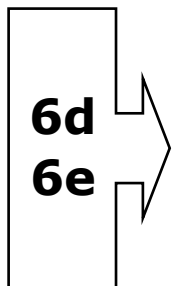


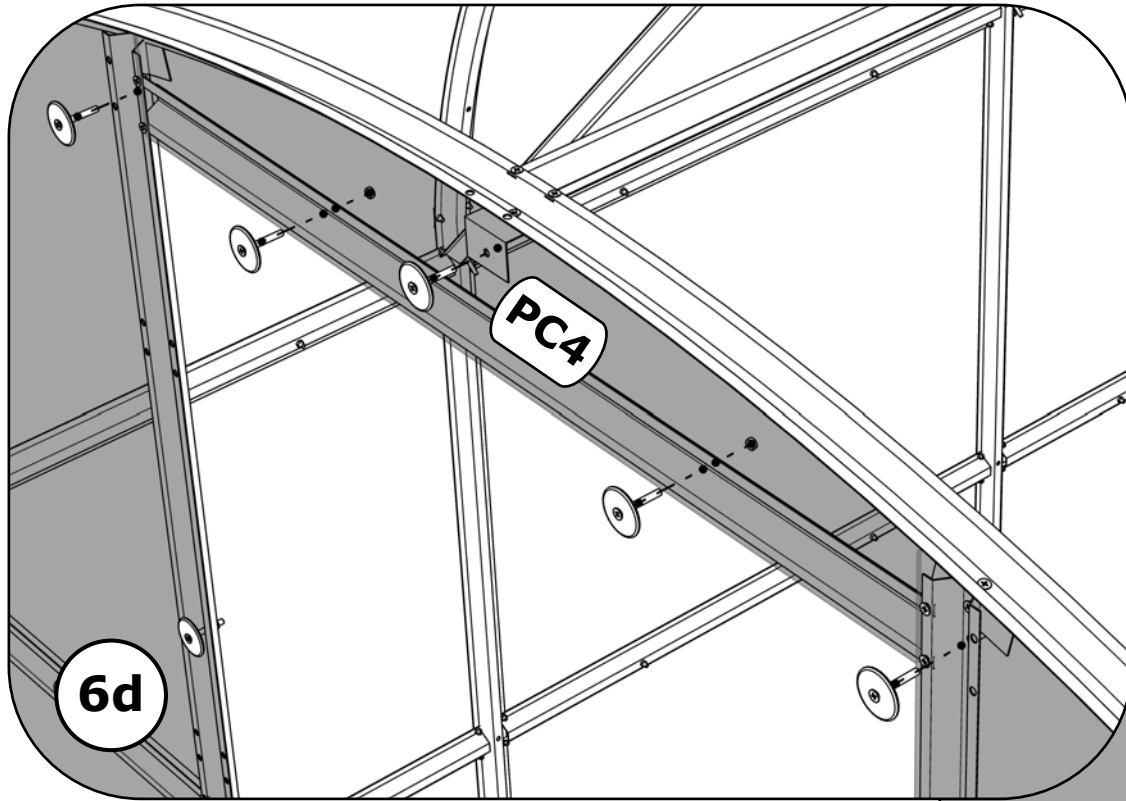
****For added results, add Aluminum tape to the top of door/window panels, and vent tape to the bottom of all exposed panels. Please contact Polymershapes for purchase****



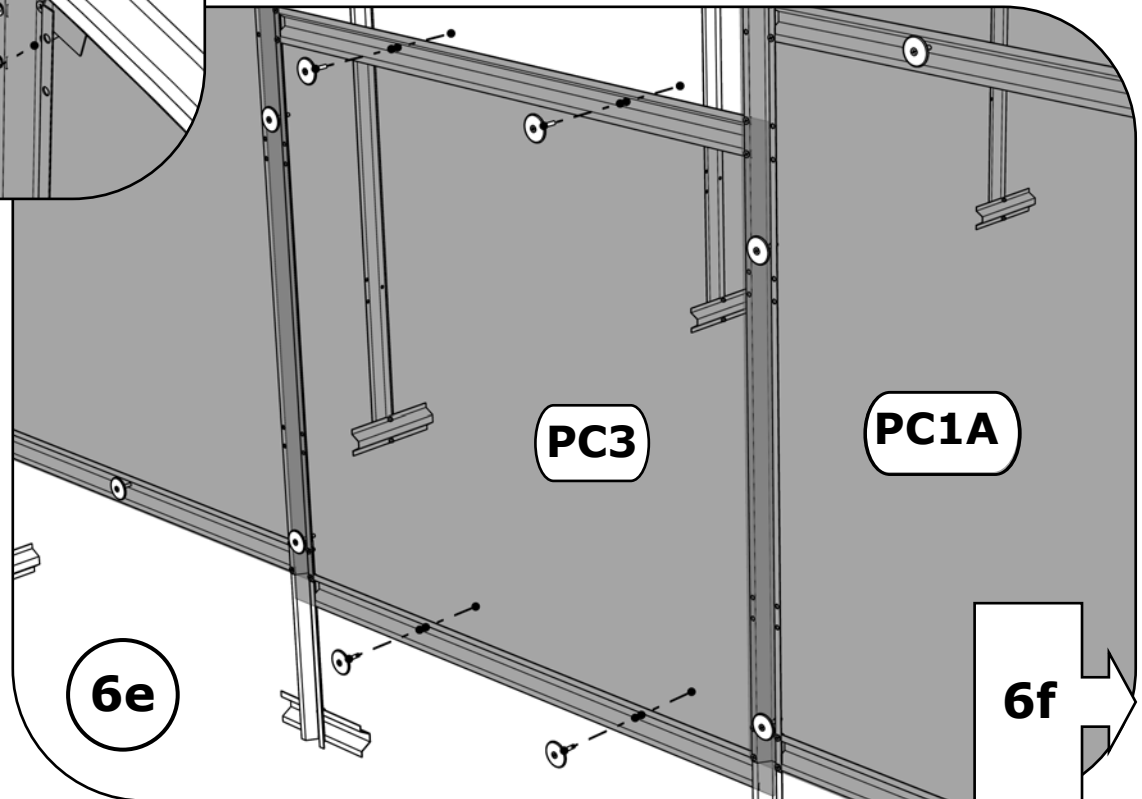


6



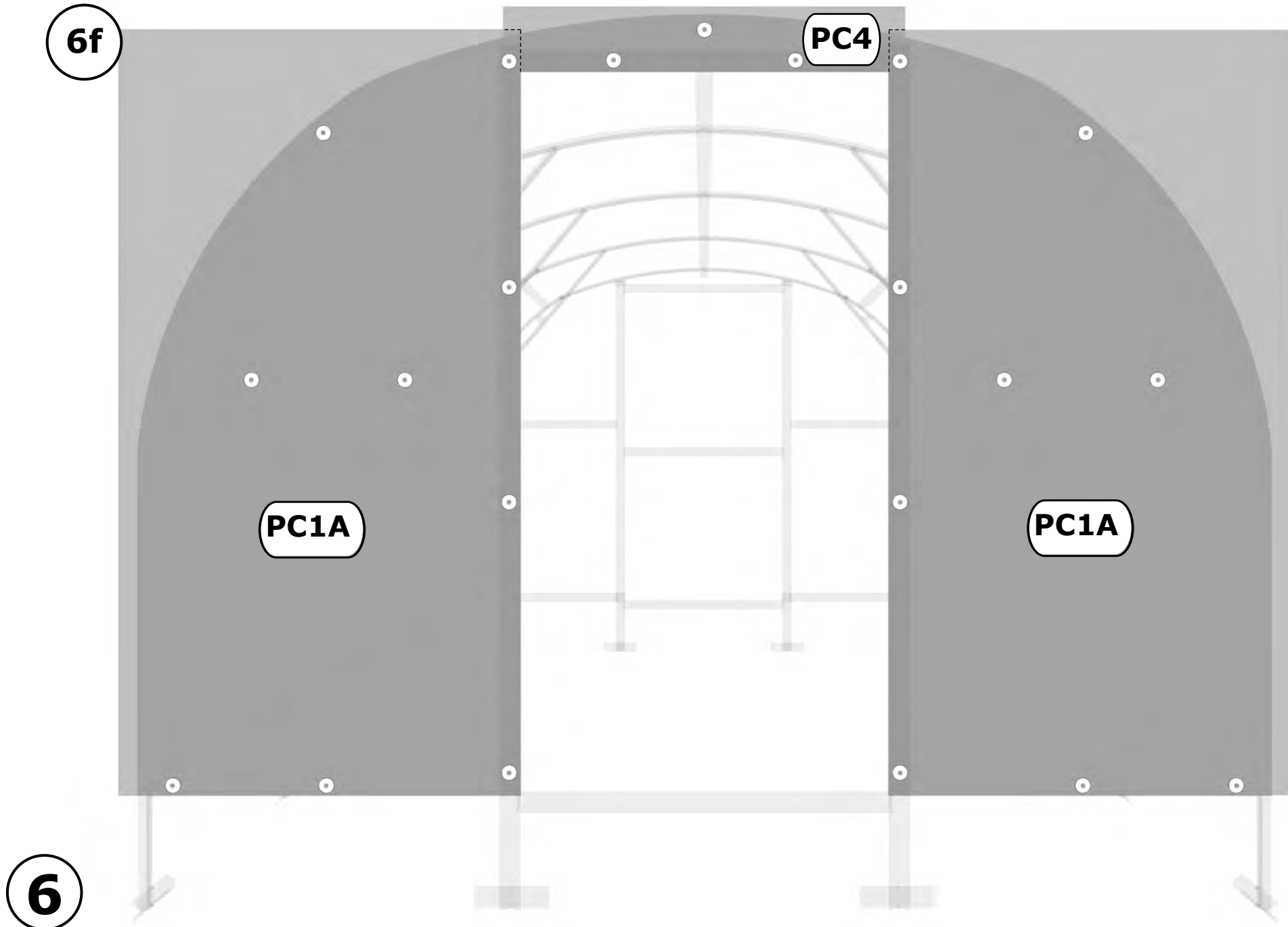


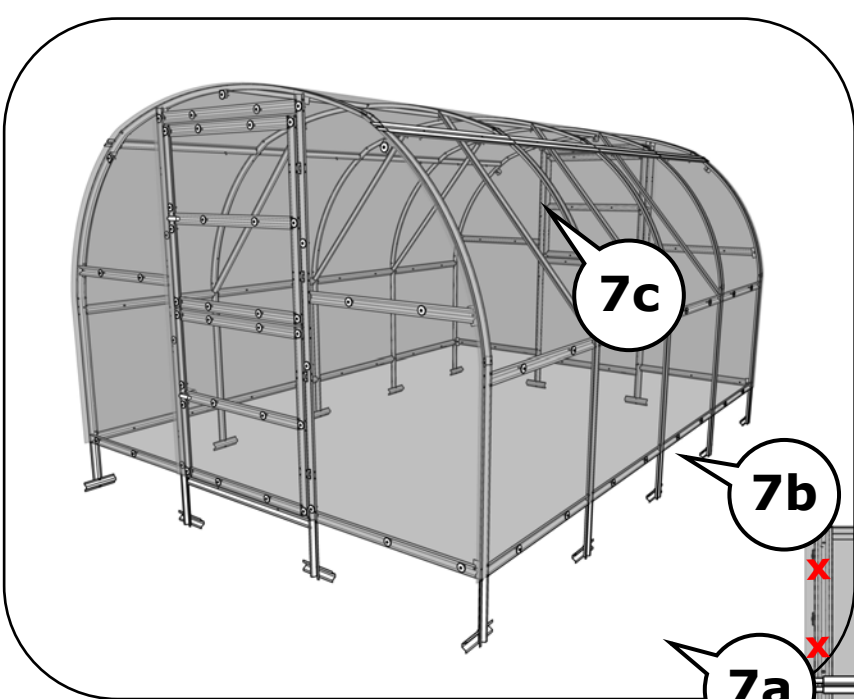
6e - Use extended machine screws (M5x50) in supplemental hardware on PC3 backside (this will allow washer to fit).



6

****Panels are already precut, no cutting required****



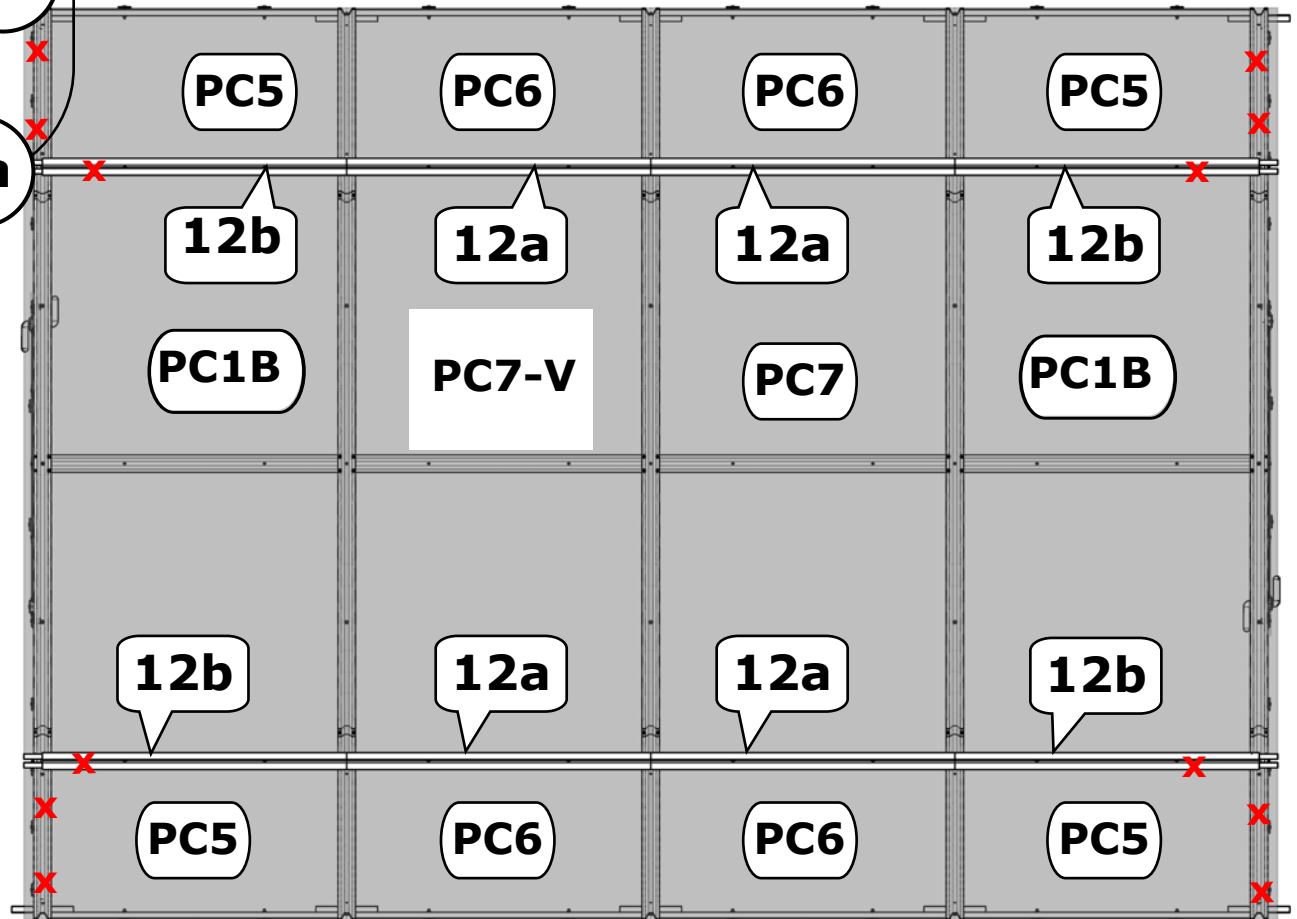


TIP: Install PC7-V first, then go to "ROOF VENT ASSEMBLY INSTRUCTIONS" and complete instructions, then come back and install panels PC7, followed by PC1B panels, and then PC5 and PC6. This will allow for better install access.

7a
7b
7c

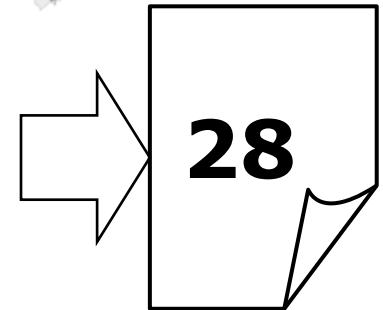
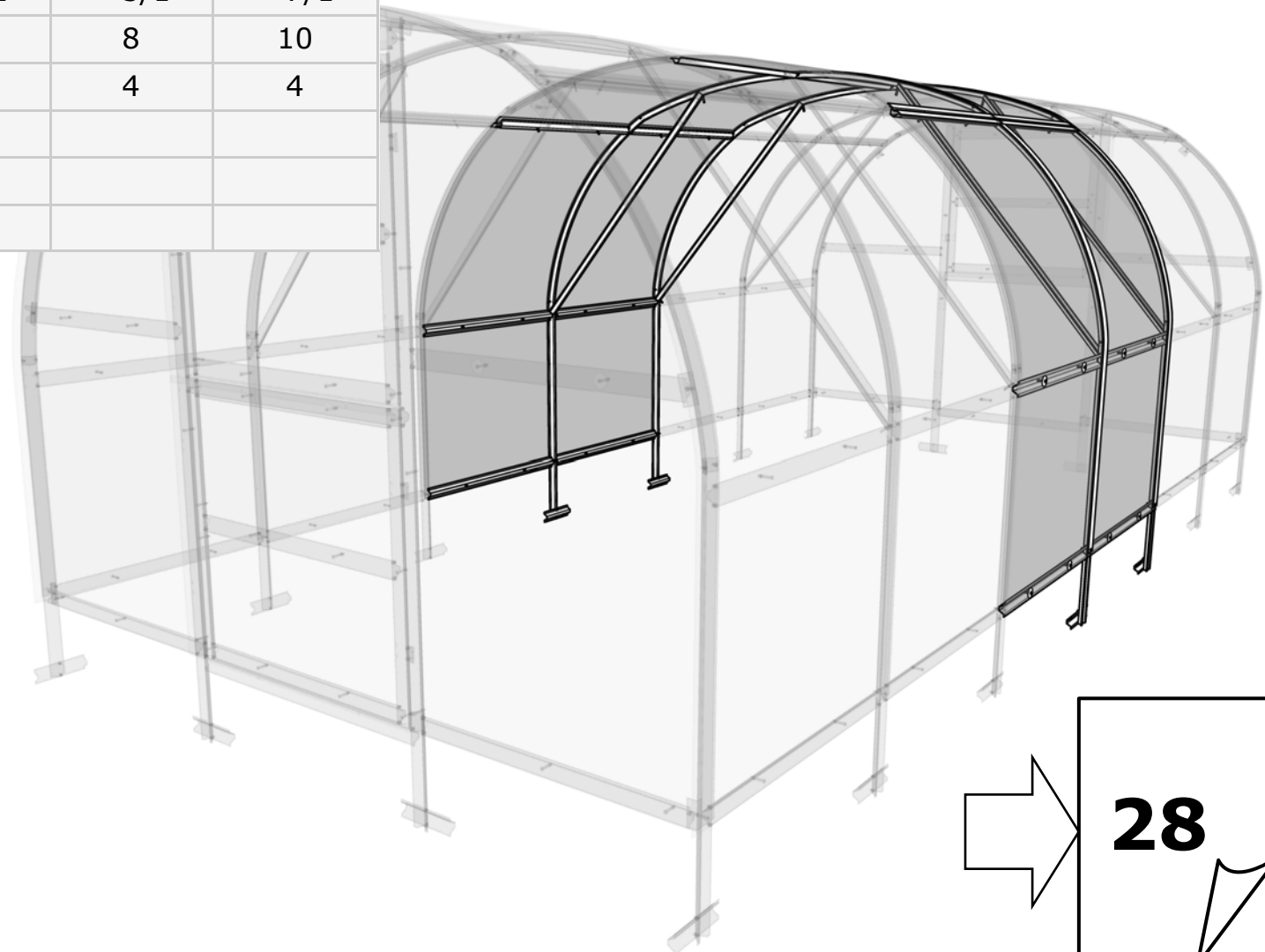
****On red X's, screws should be added to provide additional support to structure and remove any gap. (Along 12B cap moulding, and PC5 panel)****

****When installing panels, leave 1/4" gap between sheets to allow for expansion and contraction.****



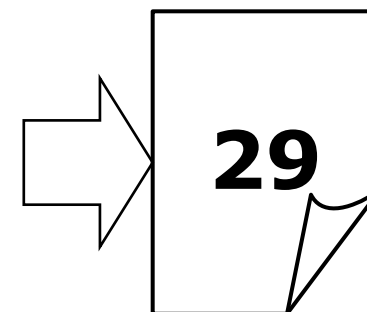
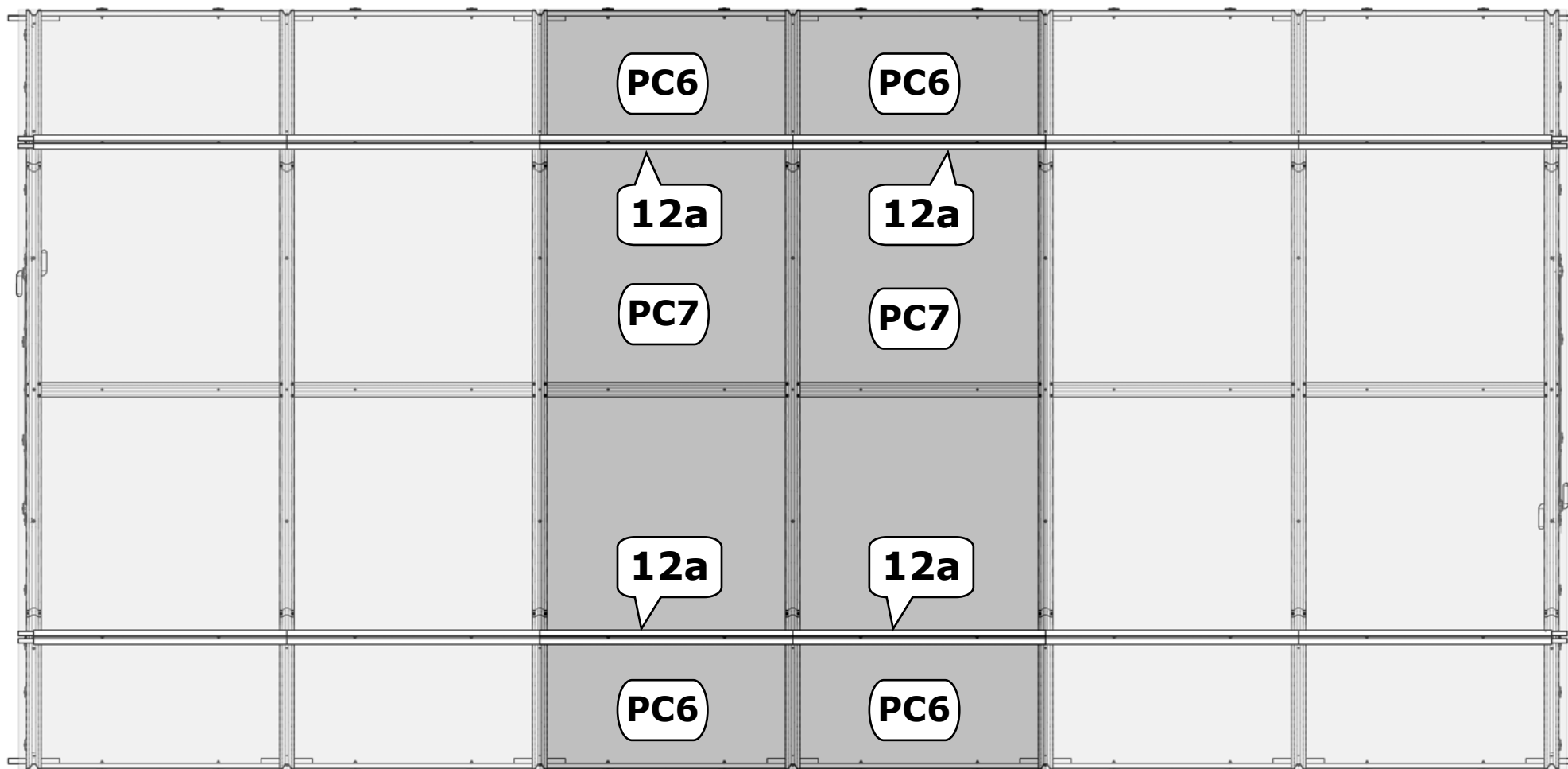
7

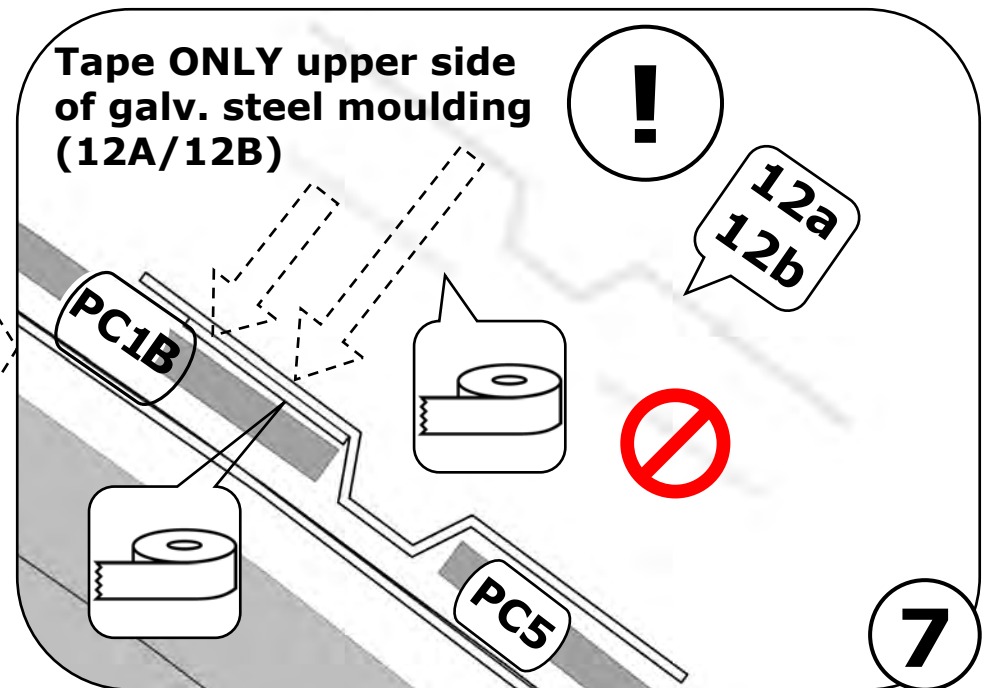
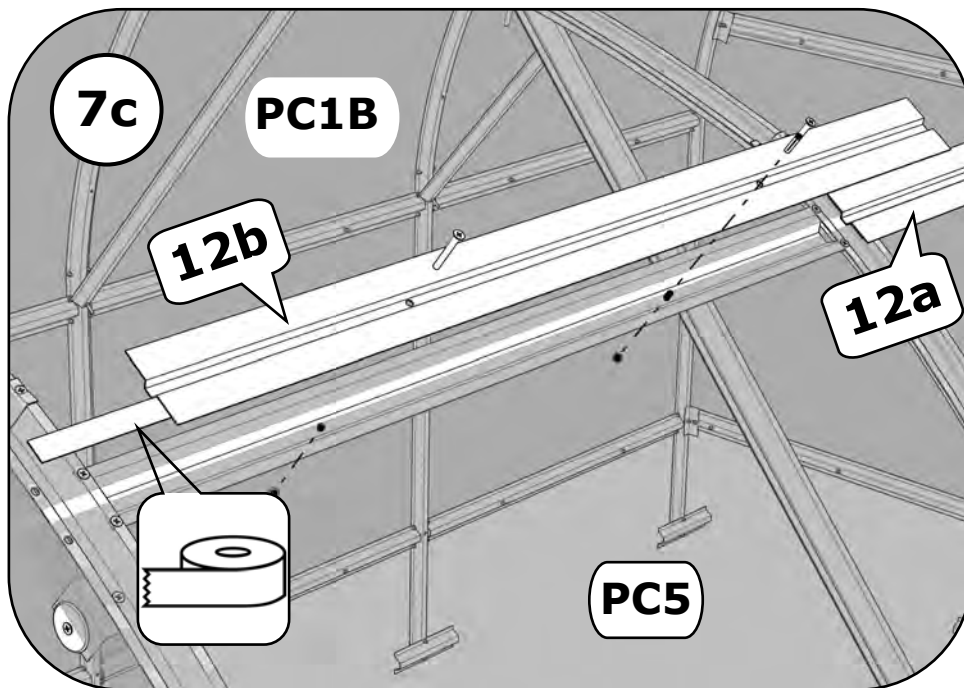
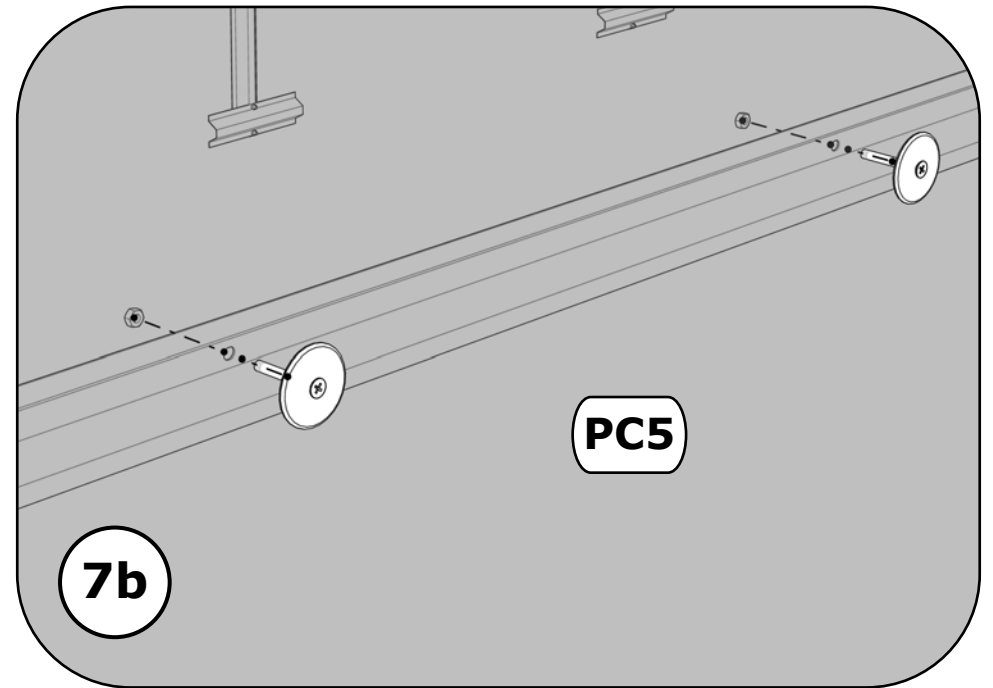
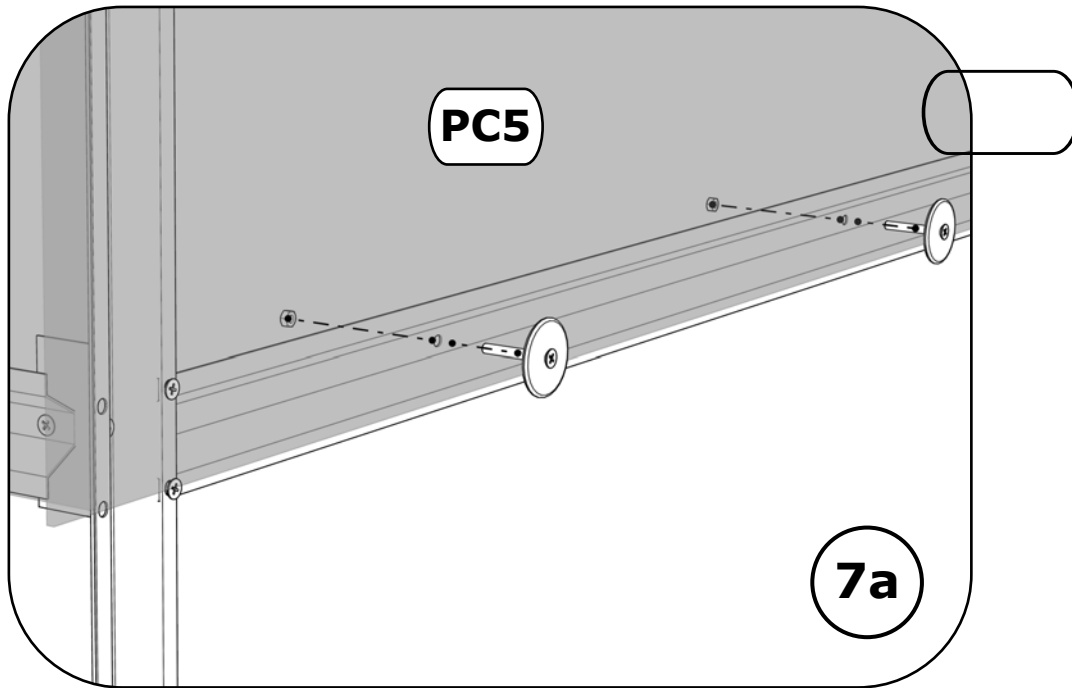
Piece No.	Quantity			
	3 x 4 m	3 x 6 m	3 x 8 m	3 x 10 m
PC1B	2	2	2	2
PC5	4	4	4	4
PC6	4	8	12	16
PC7 / PC7-V	1/1	3/1	5/1	7/1
Nr.12a	4	6	8	10
Nr.12b	4	4	4	4
Screws M5 x 40				
Washers M5				
Gasket slides Ø40				



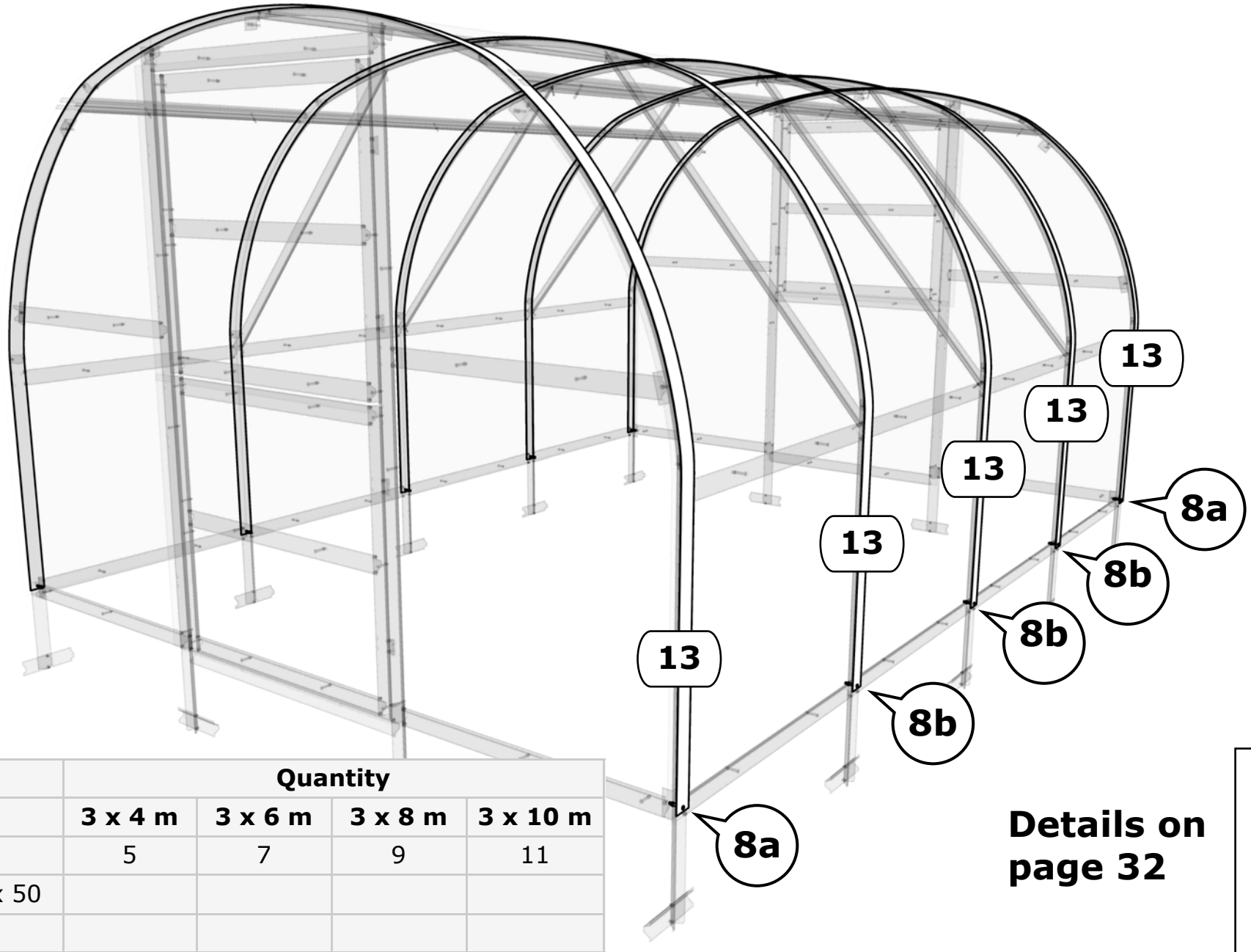
****PERFORM IF YOU HAVE EXTENSION, IF NOT PROCEED TO PAGE 29****

****PERFORM IF YOU HAVE EXTENSION, IF NOT, PROCEED TO NEXT PAGE****



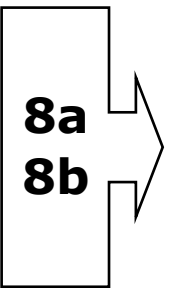


8

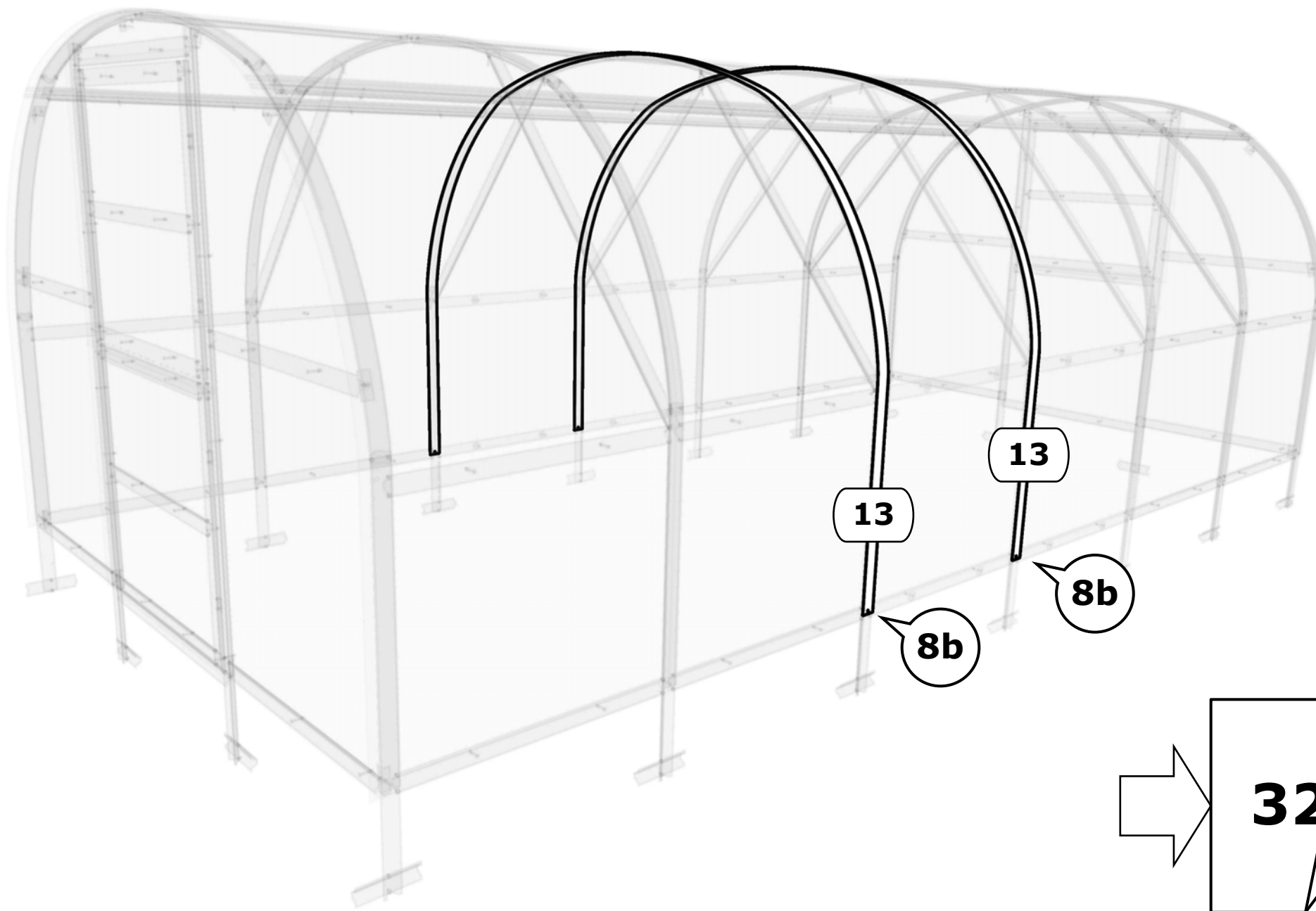


Piece No.	Quantity			
	3 x 4 m	3 x 6 m	3 x 8 m	3 x 10 m
Nr.13	5	7	9	11
Screws M5 x 50				
Washers M5				

Details on page 32

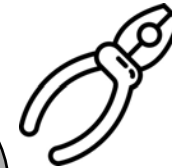
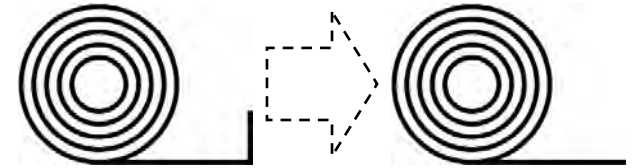
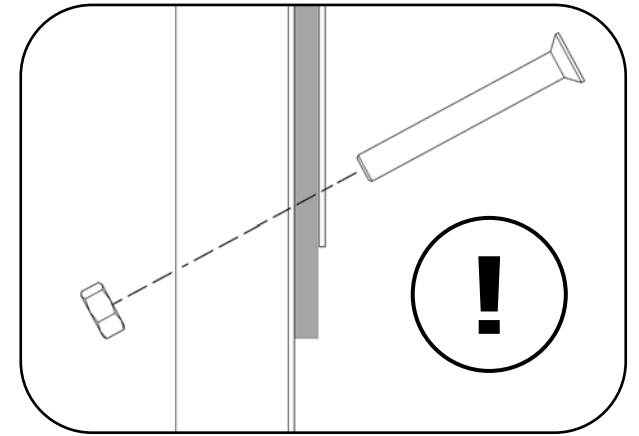


****PERFORM IF YOU HAVE EXTENSION, IF NOT, PROCEED TO NEXT PAGE****

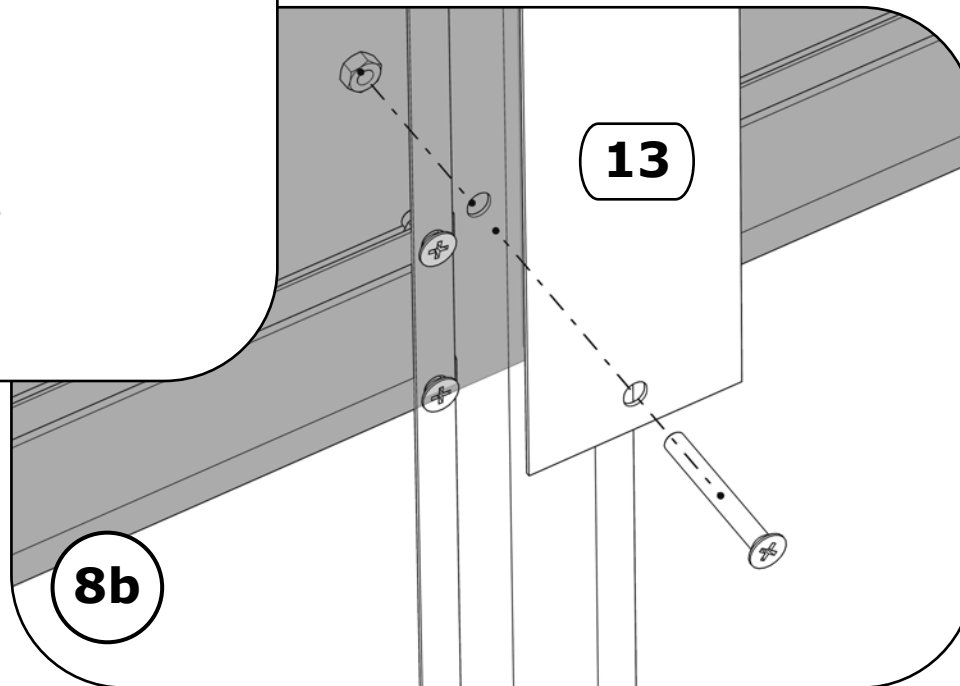
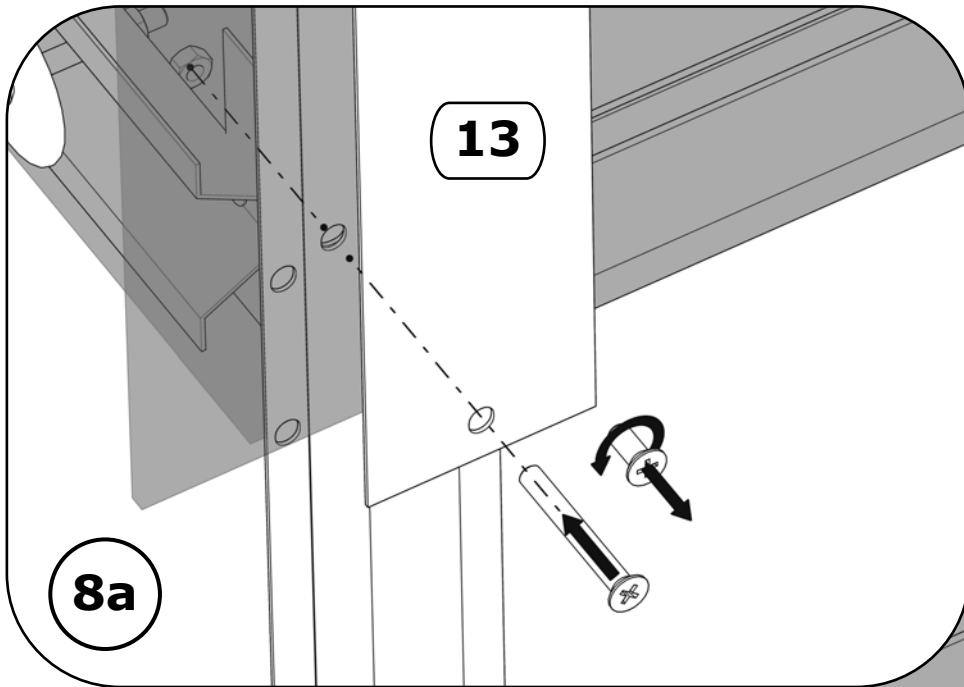


Instructions:

- a. First, unscrew the M5x12 screws on both sides of the greenhouse.
- b. Unroll the band Nr.13 and fold the end of the band with pliers.
- c. Place the band Nr.13 on the greenhouse.
- d. Secure one end of the band with an extended M5x50 screw, but do not tighten it completely.
- e. Tighten the other end of the band completely with an extended M5x50 screw.
- f. Finish fully tightening the first screw M5x50.

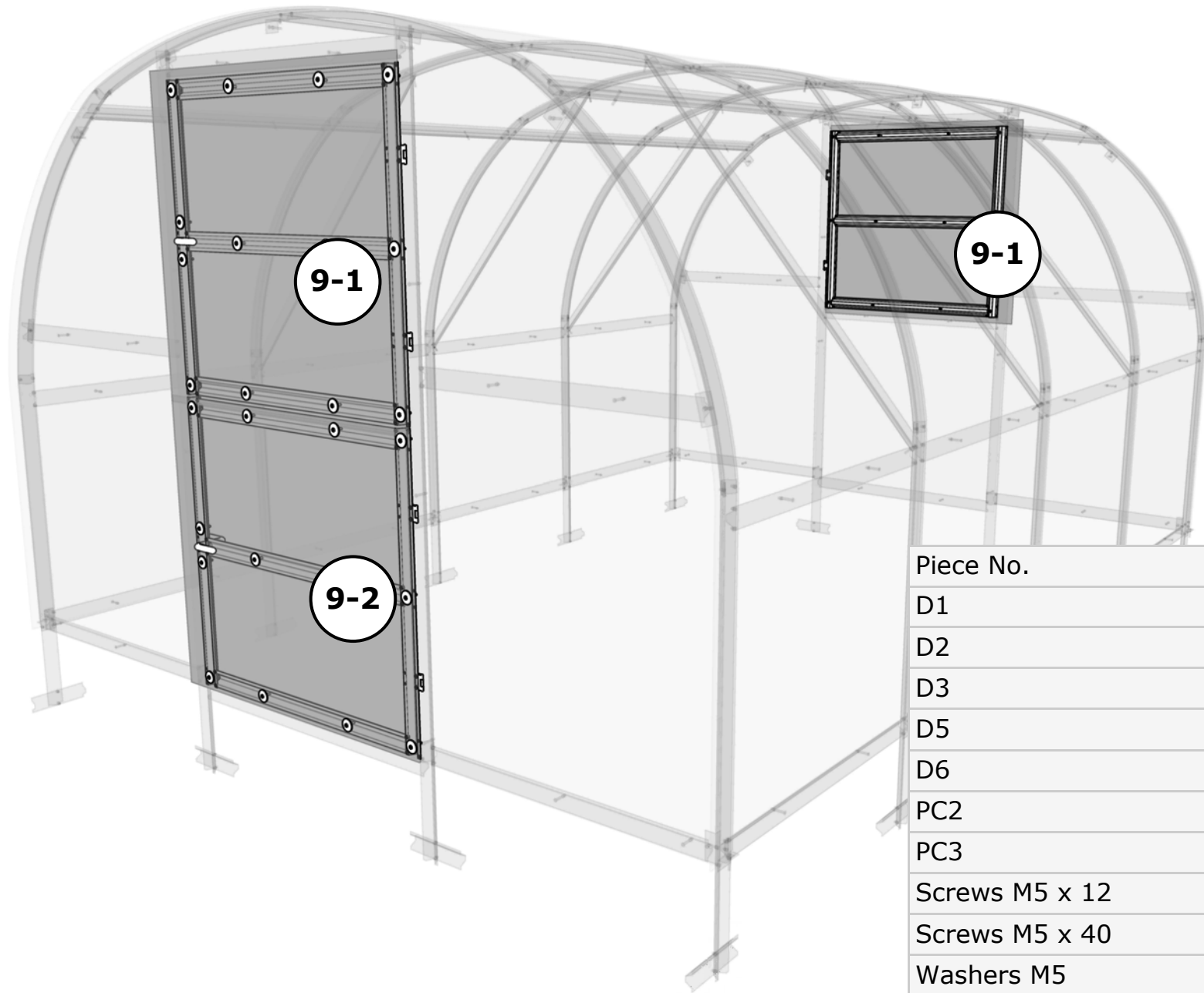


x5



8 *Use 10x extended machine screws for strapping from supplemental kit

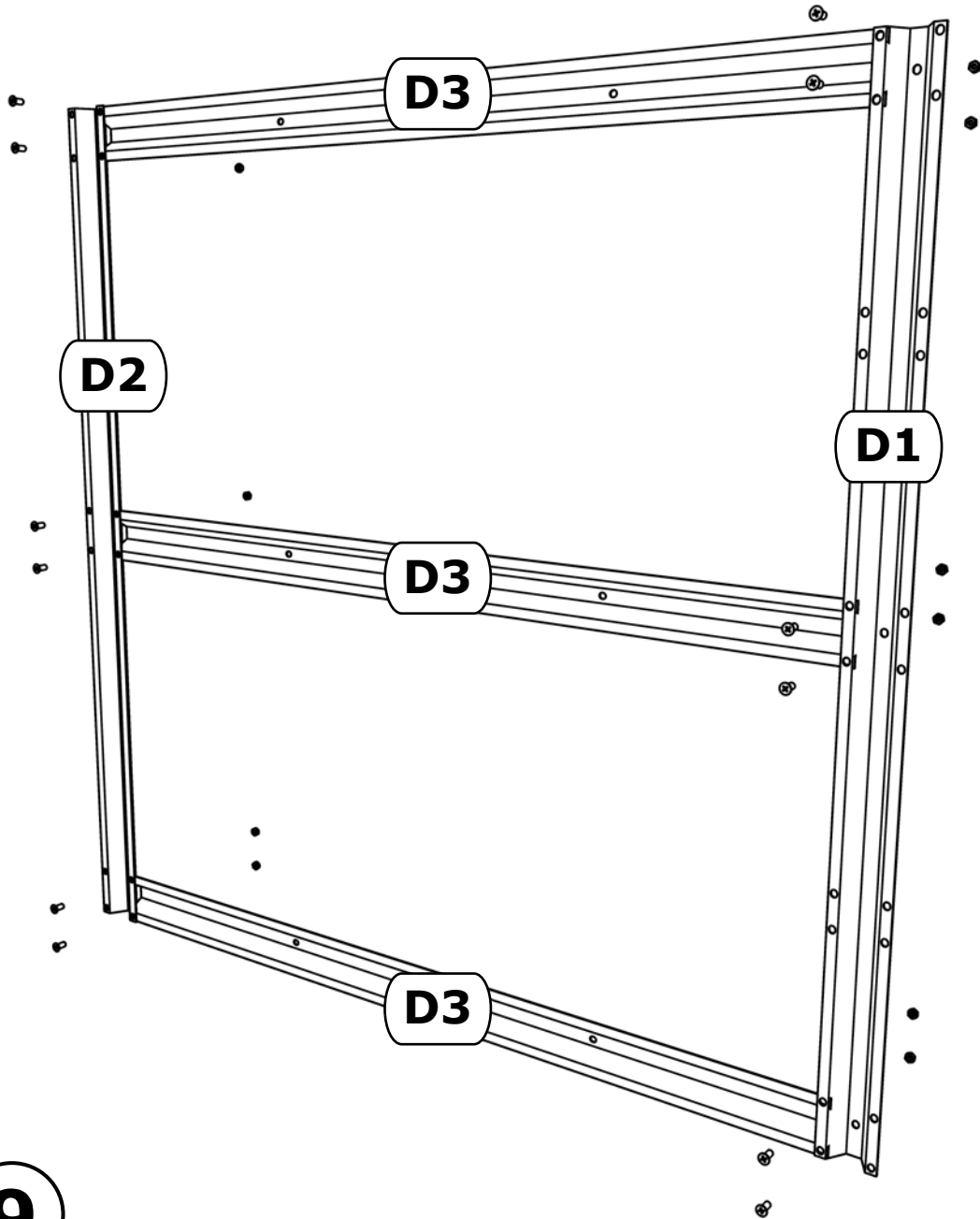
9



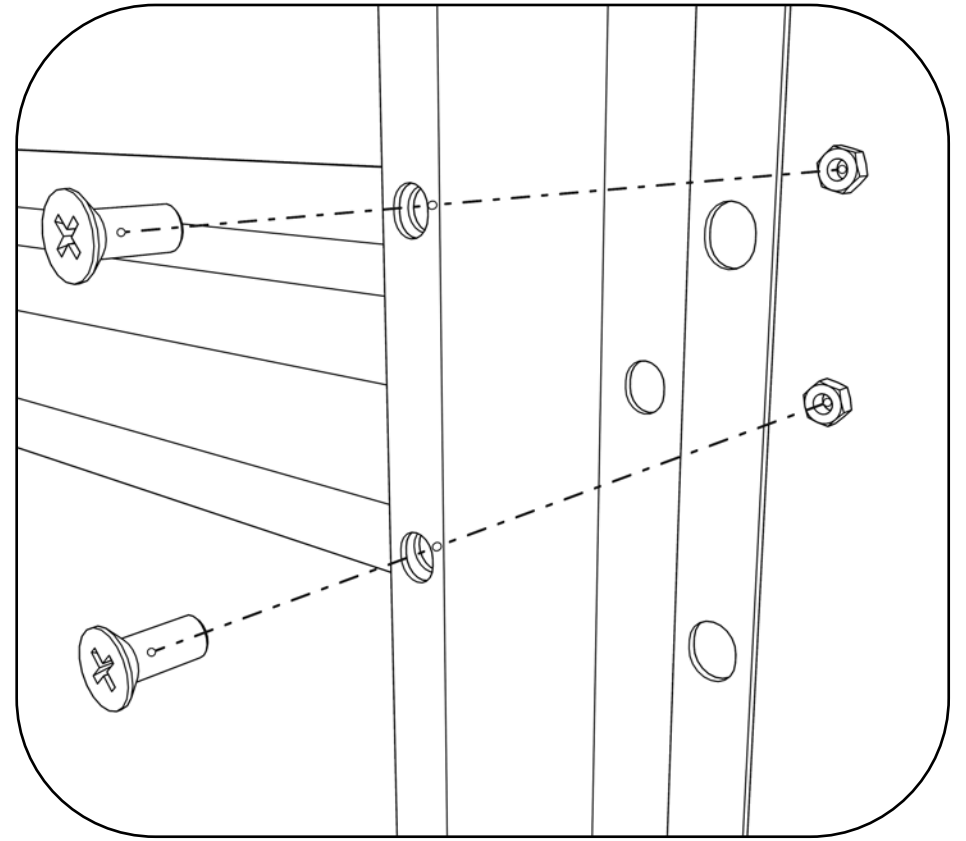
9-1 →
9-2 →

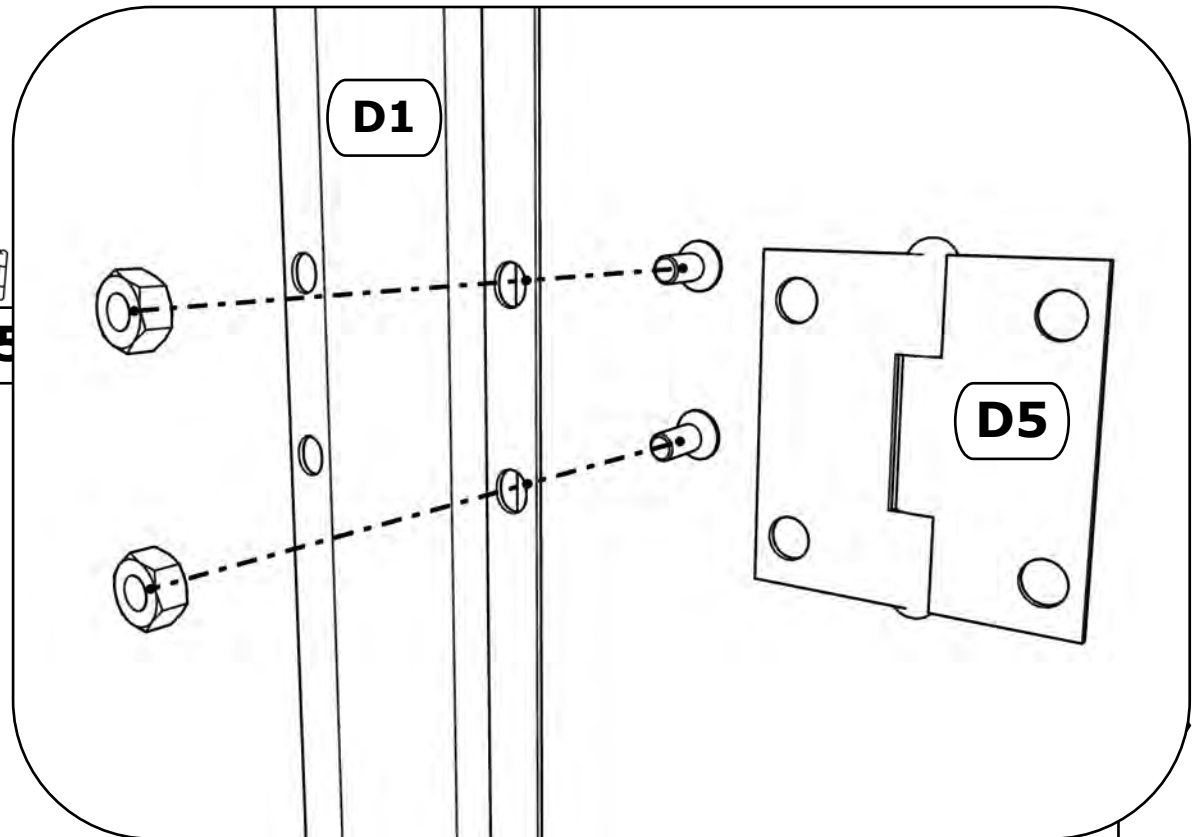
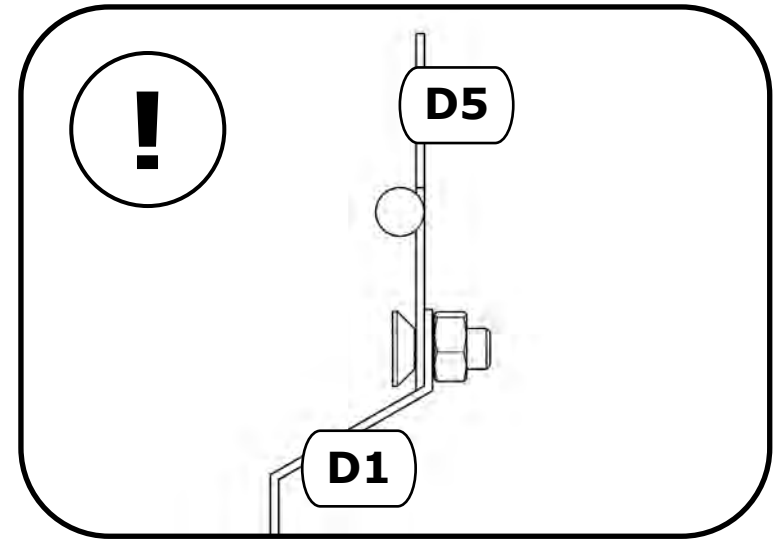
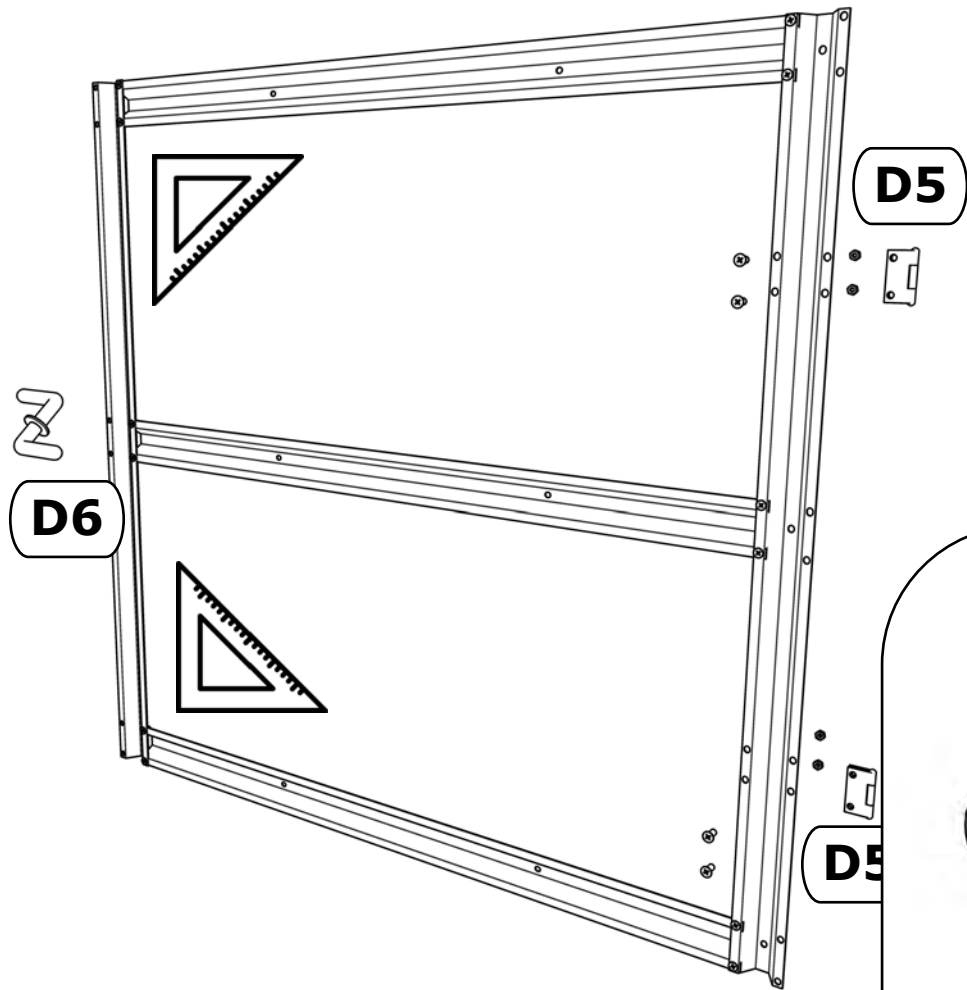
Piece No.	Quantity
D1	3
D2	3
D3	9
D5	6
D6	3
PC2	2
PC3	1
Screws M5 x 12	
Screws M5 x 40	
Washers M5	
Gasket slides Ø40	

9



9-1 9-2 x3

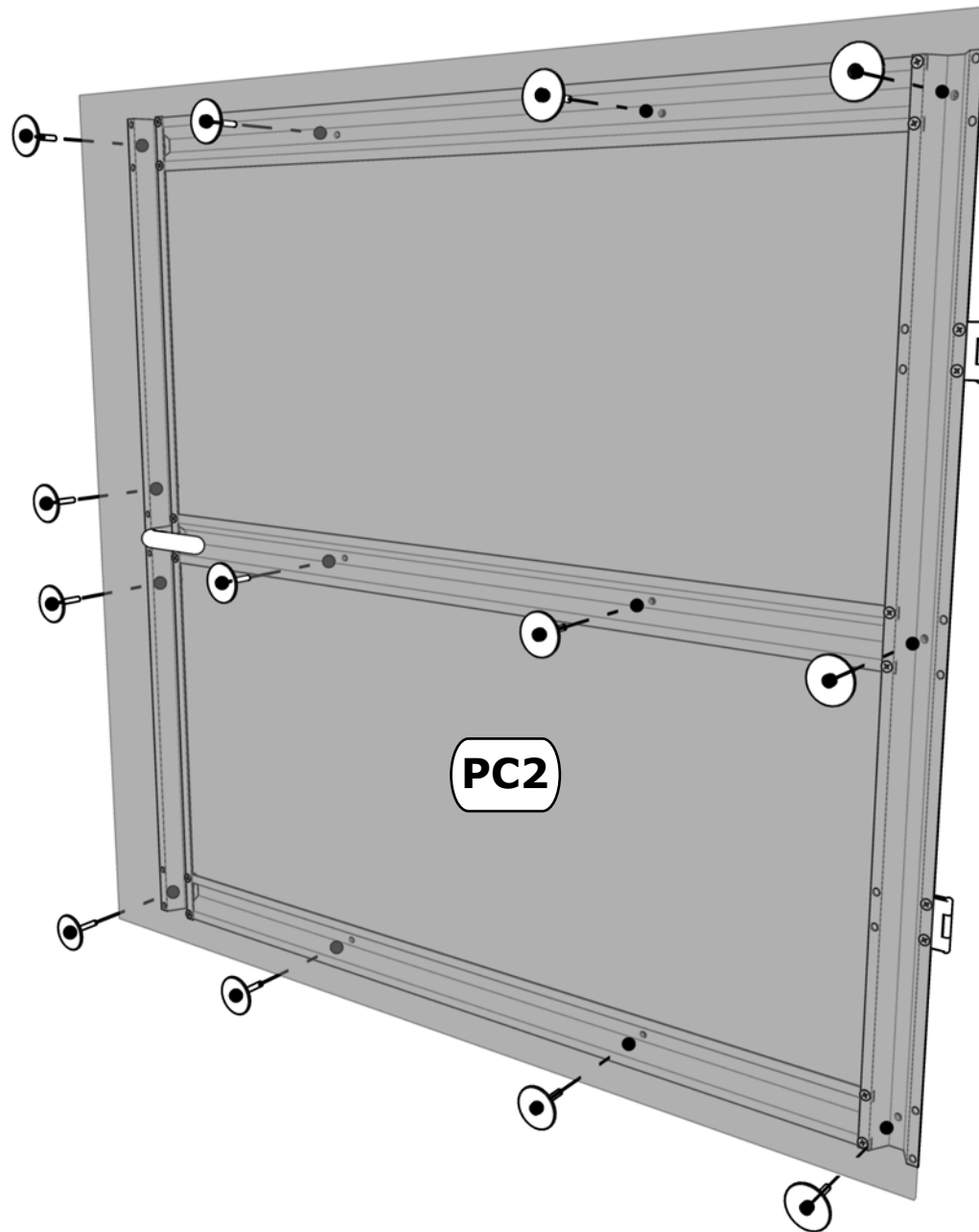




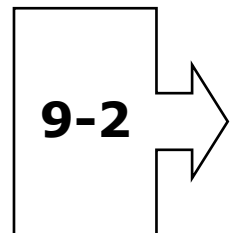
9-1 9-2 x3

9

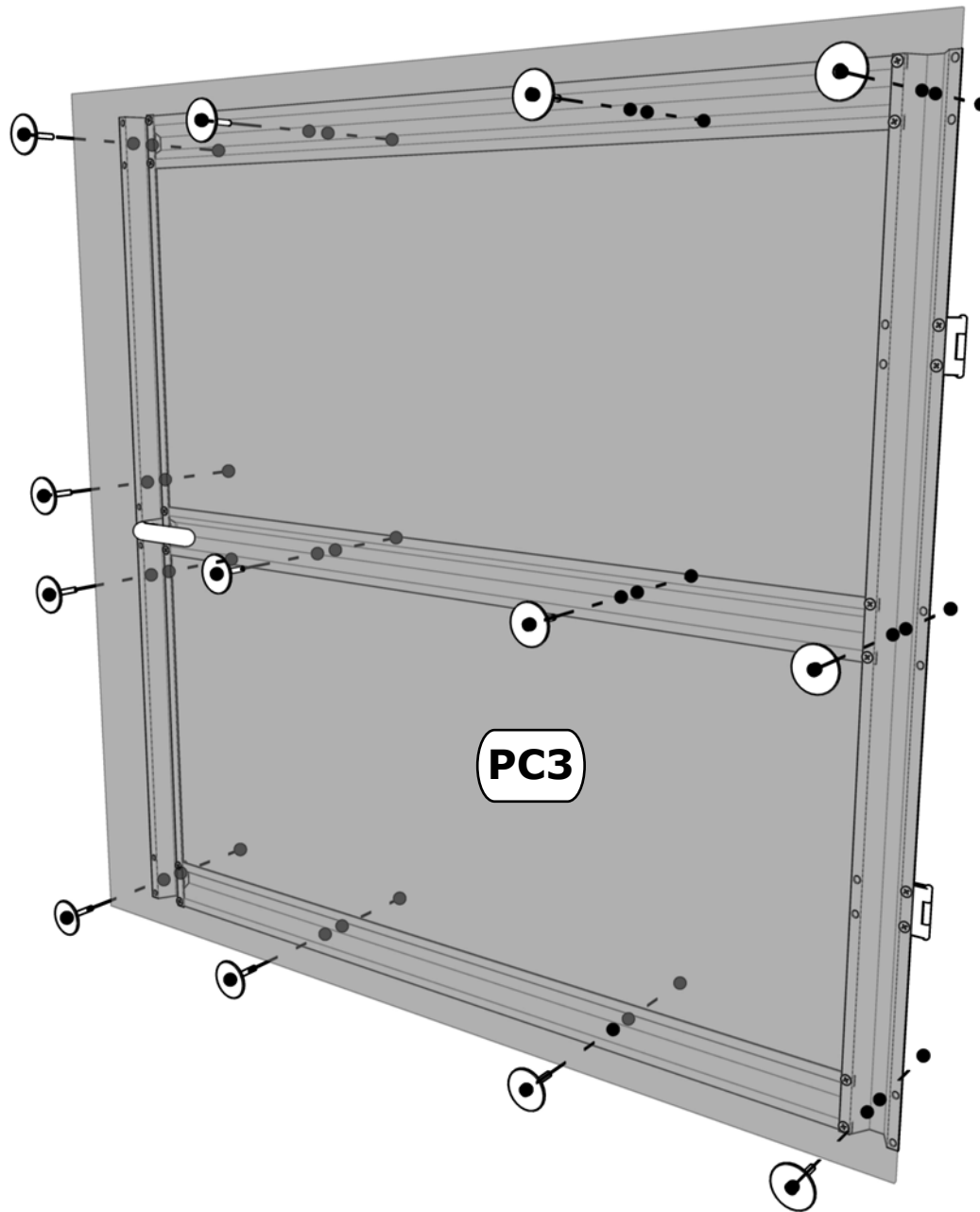
9



9-1 x2



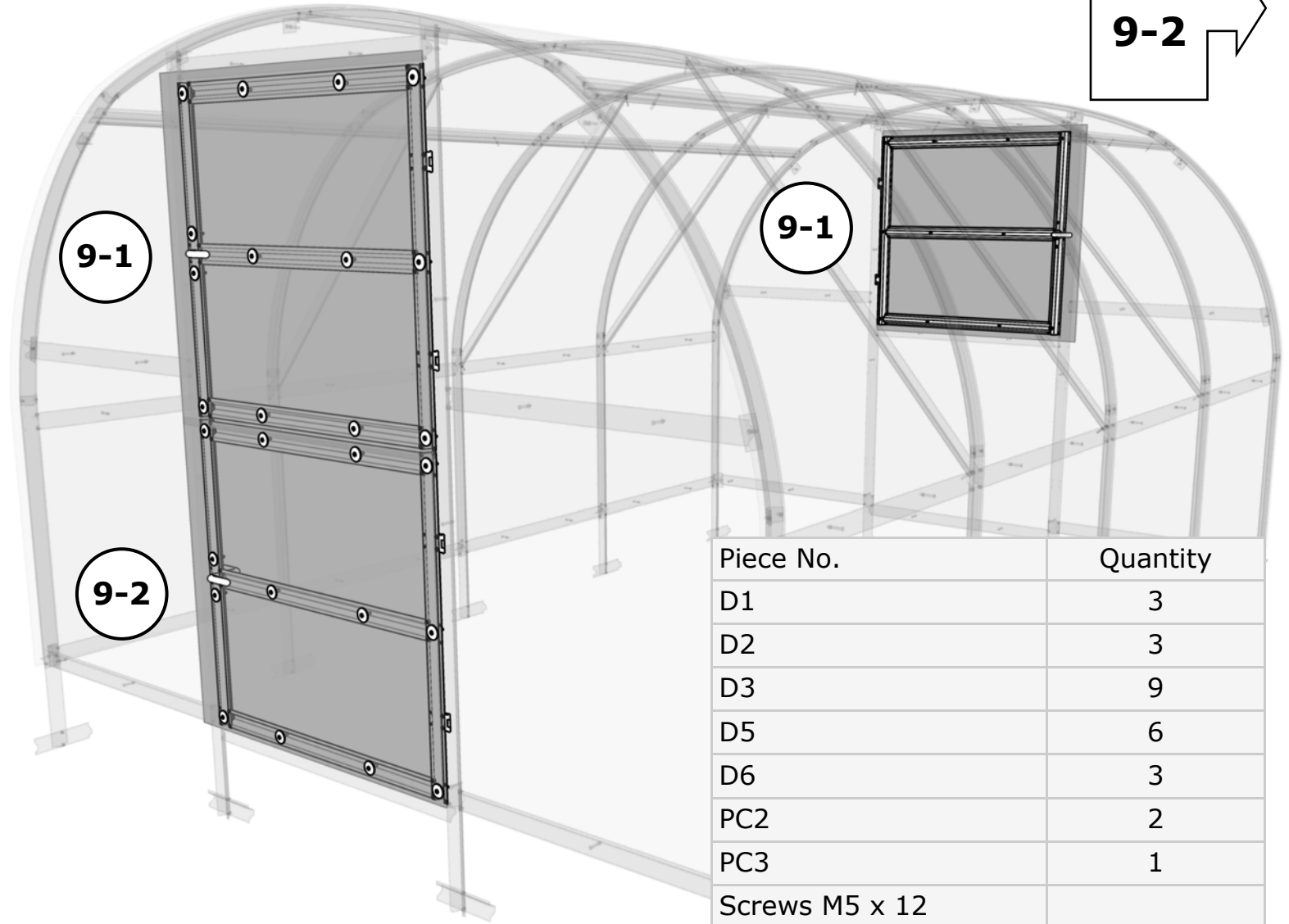
9



9-2 x1

Add optional aluminum plate to convert dutch door to solid door. On INSIDE of door (plate on inside greenhouse)

9-1 →
9-2 →



9

Piece No.	Quantity
D1	3
D2	3
D3	9
D5	6
D6	3
PC2	2
PC3	1
Screws M5 x 12	
Screws M5 x 40	
Washers M5	
Gasket slides Ø40	