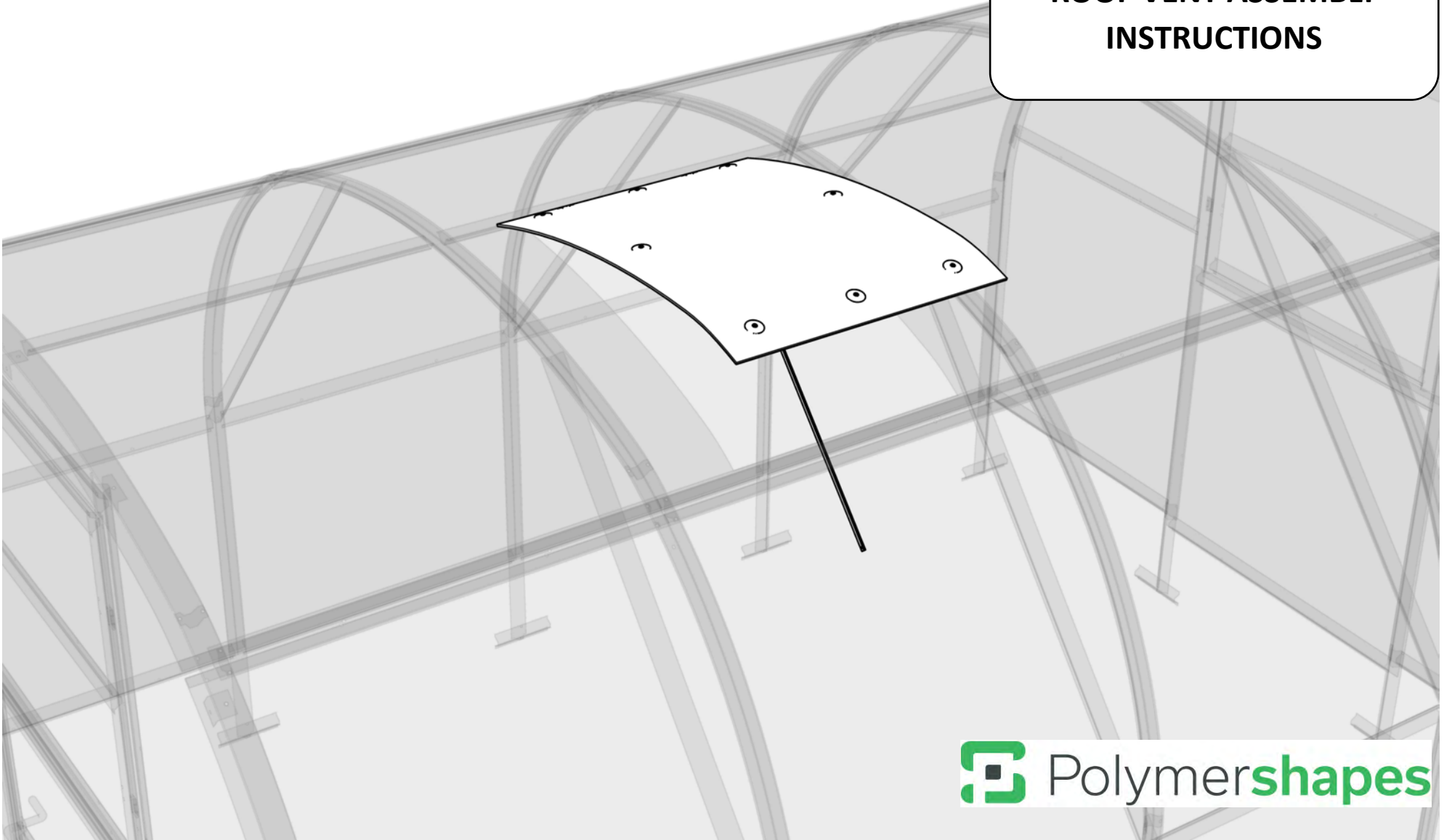
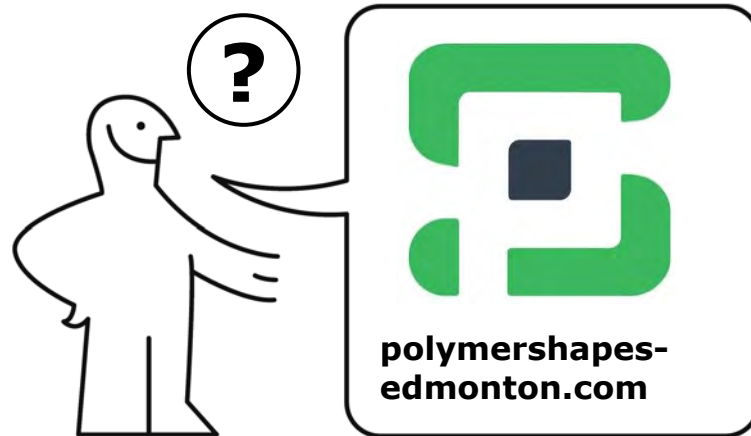
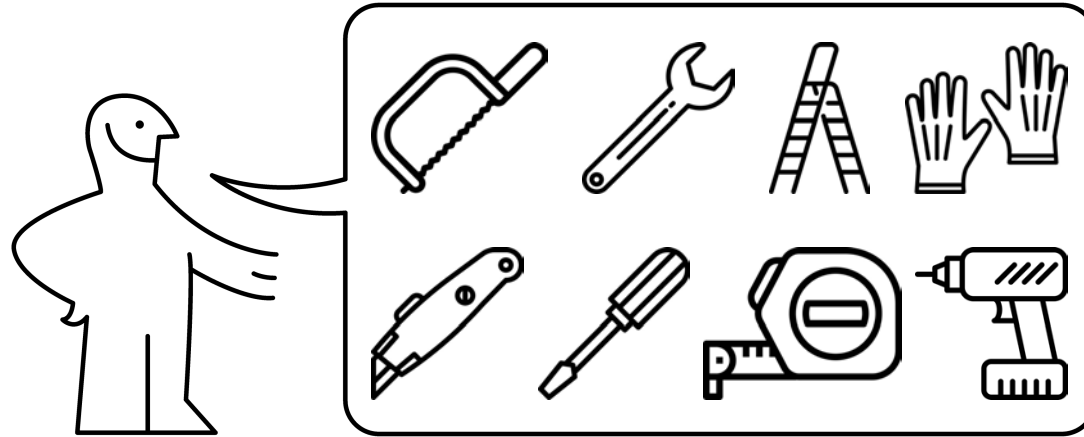
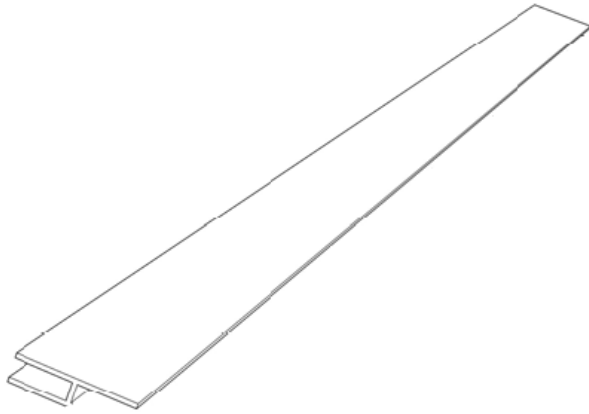


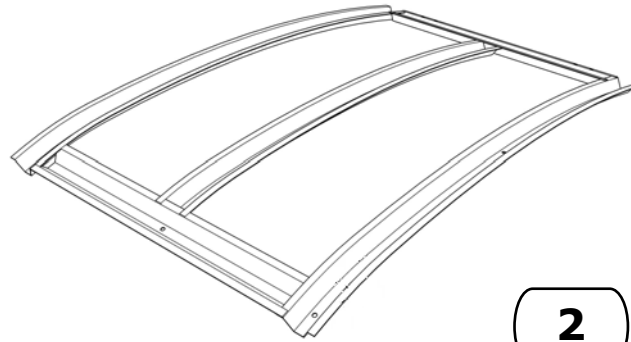
**PS GREENHOUSE  
ROOF VENT ASSEMBLY  
INSTRUCTIONS**





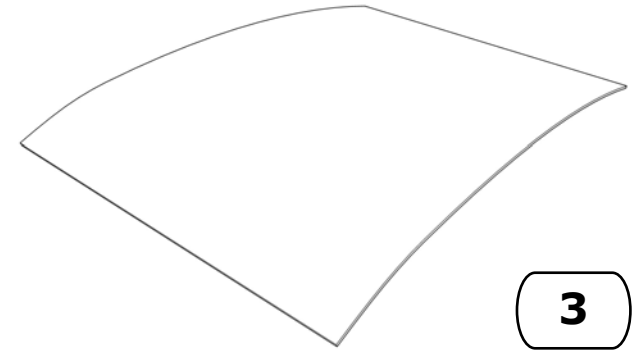


H-Profile(x1)



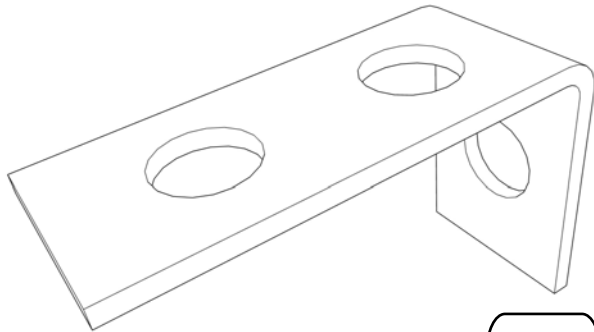
Skylight Frame (x1)

2



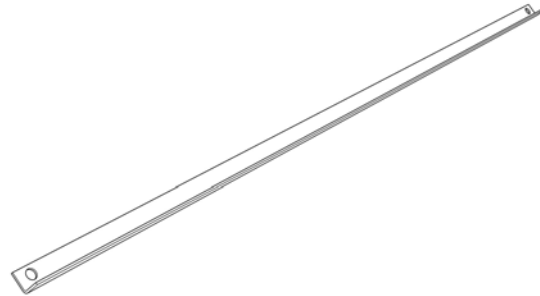
PC V - Polycarbonate Vent(x1)

3



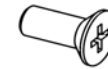
Bracket (x1)

4

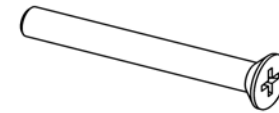


Leg (x1)

5



M5x12 (x6)



M5x40 (x8)

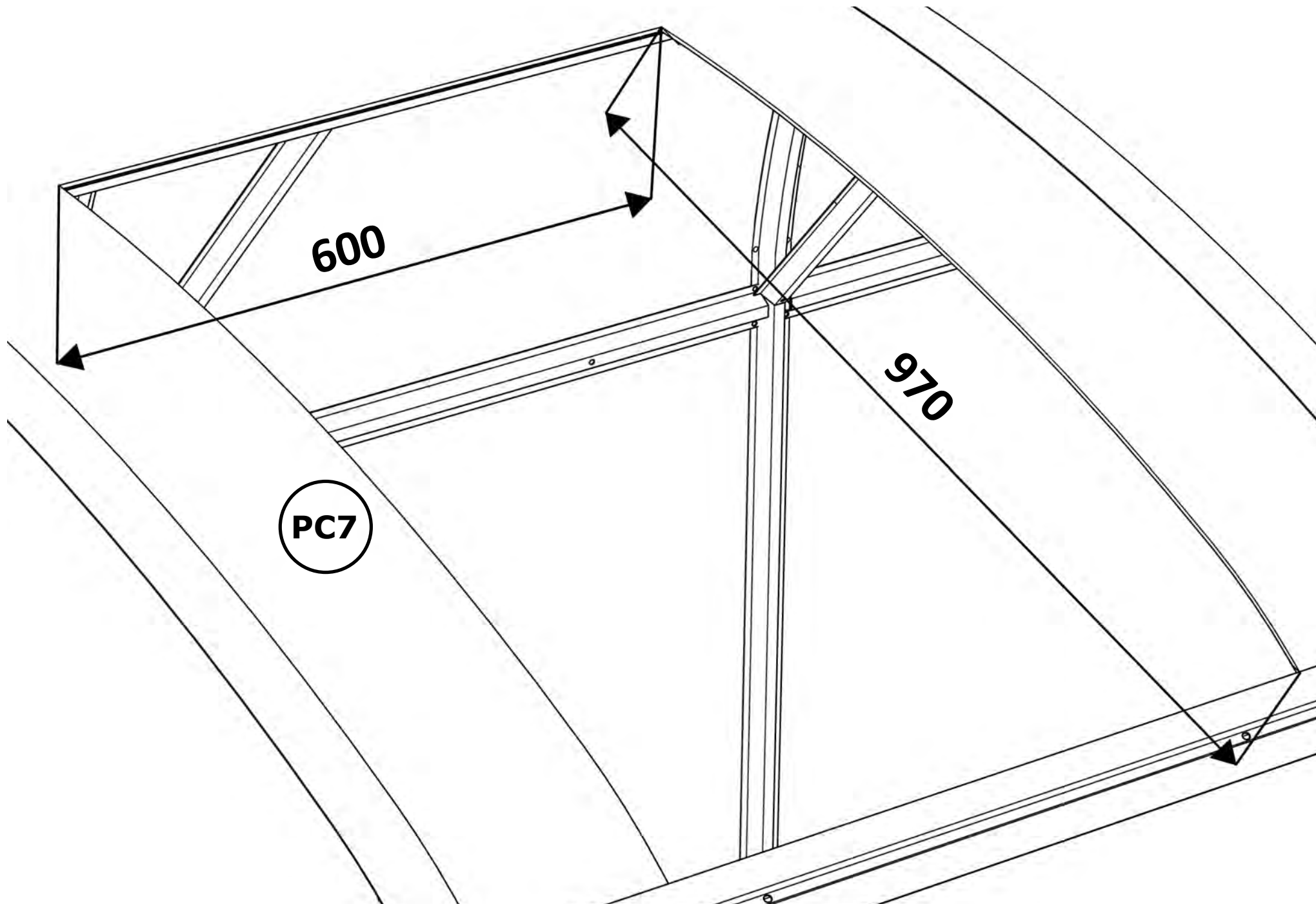


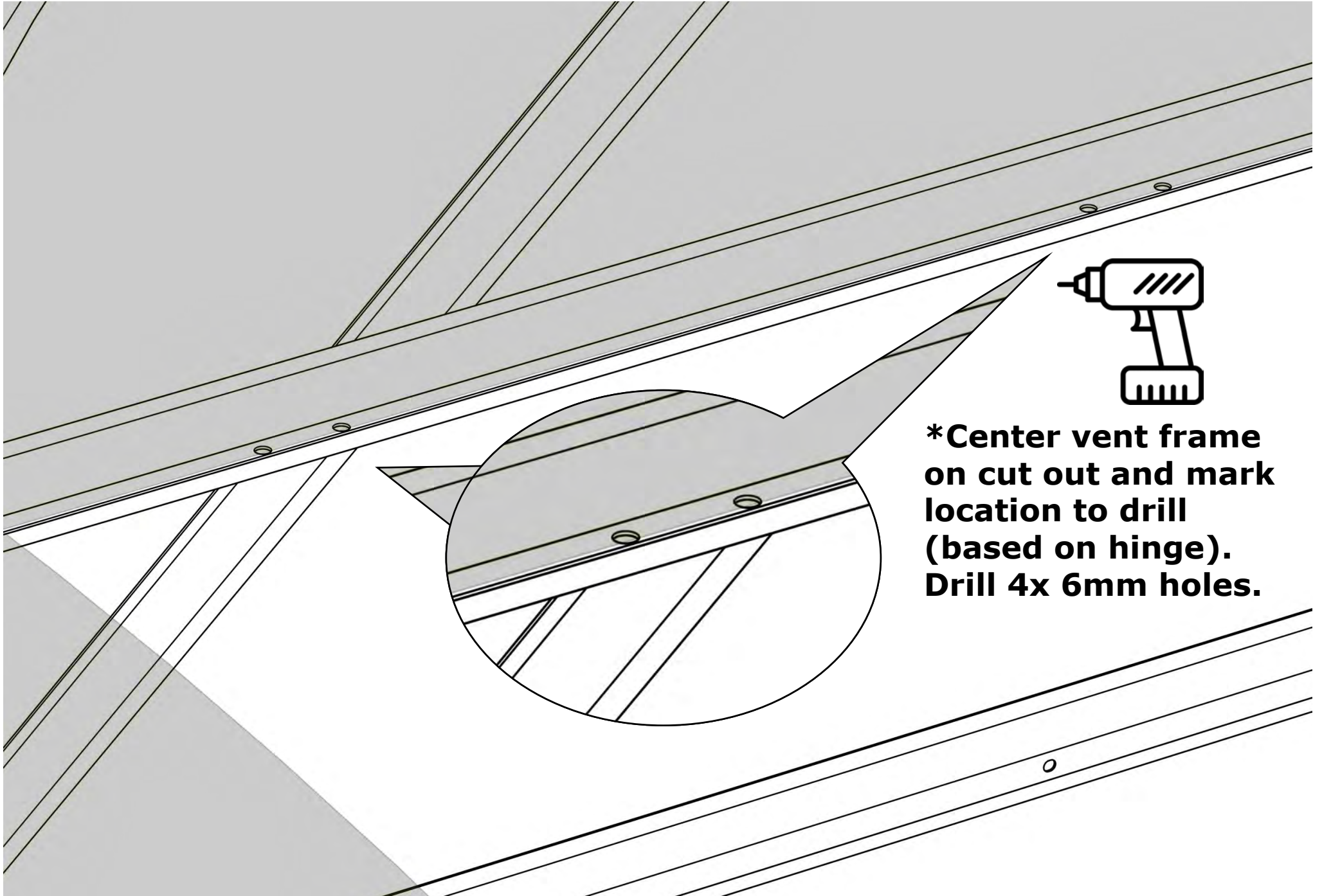
M5 (x14)



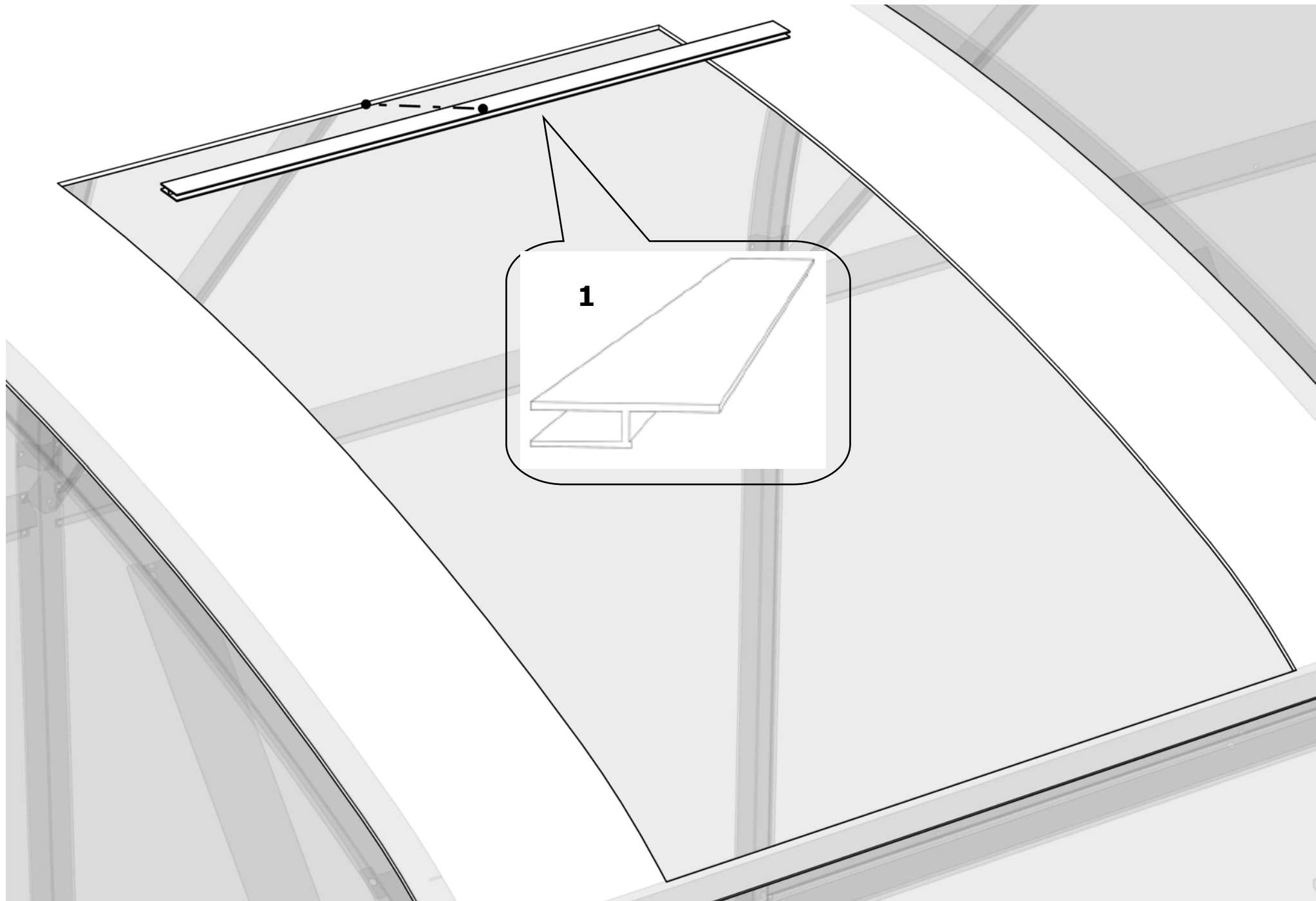
Ø40 (x8)

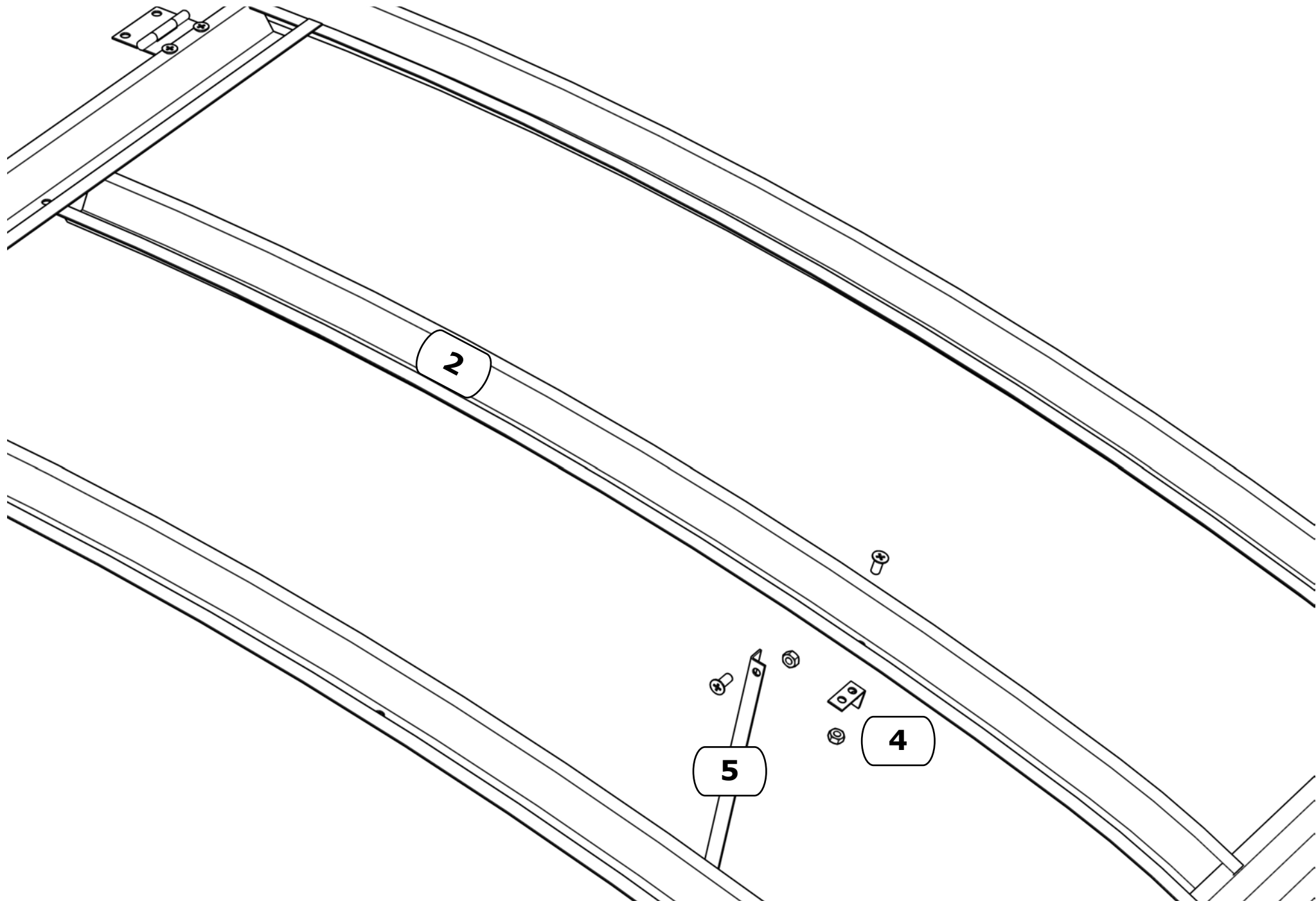
**\*4 self tapping screws from supplemental kit are for automatic opener\***

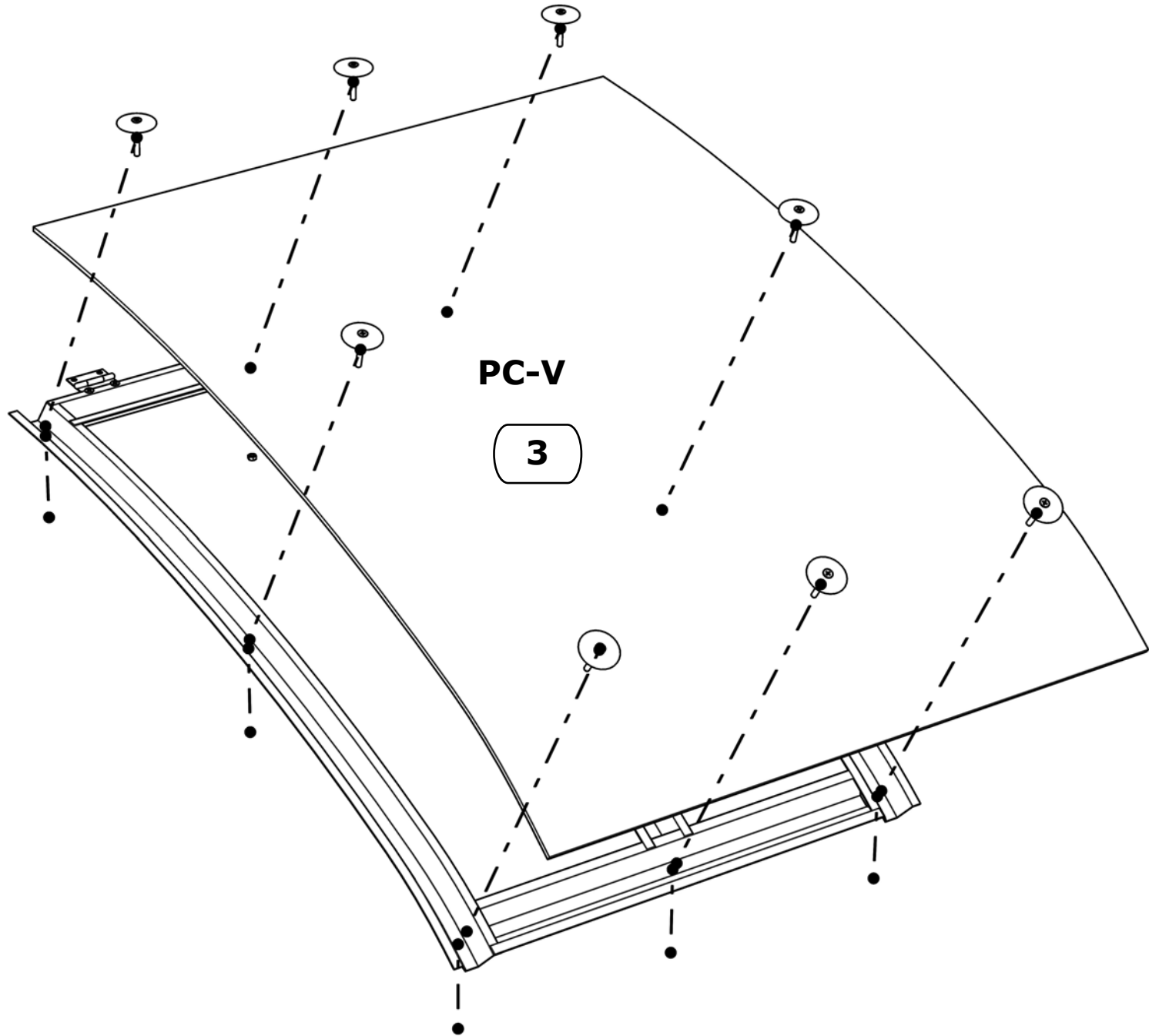




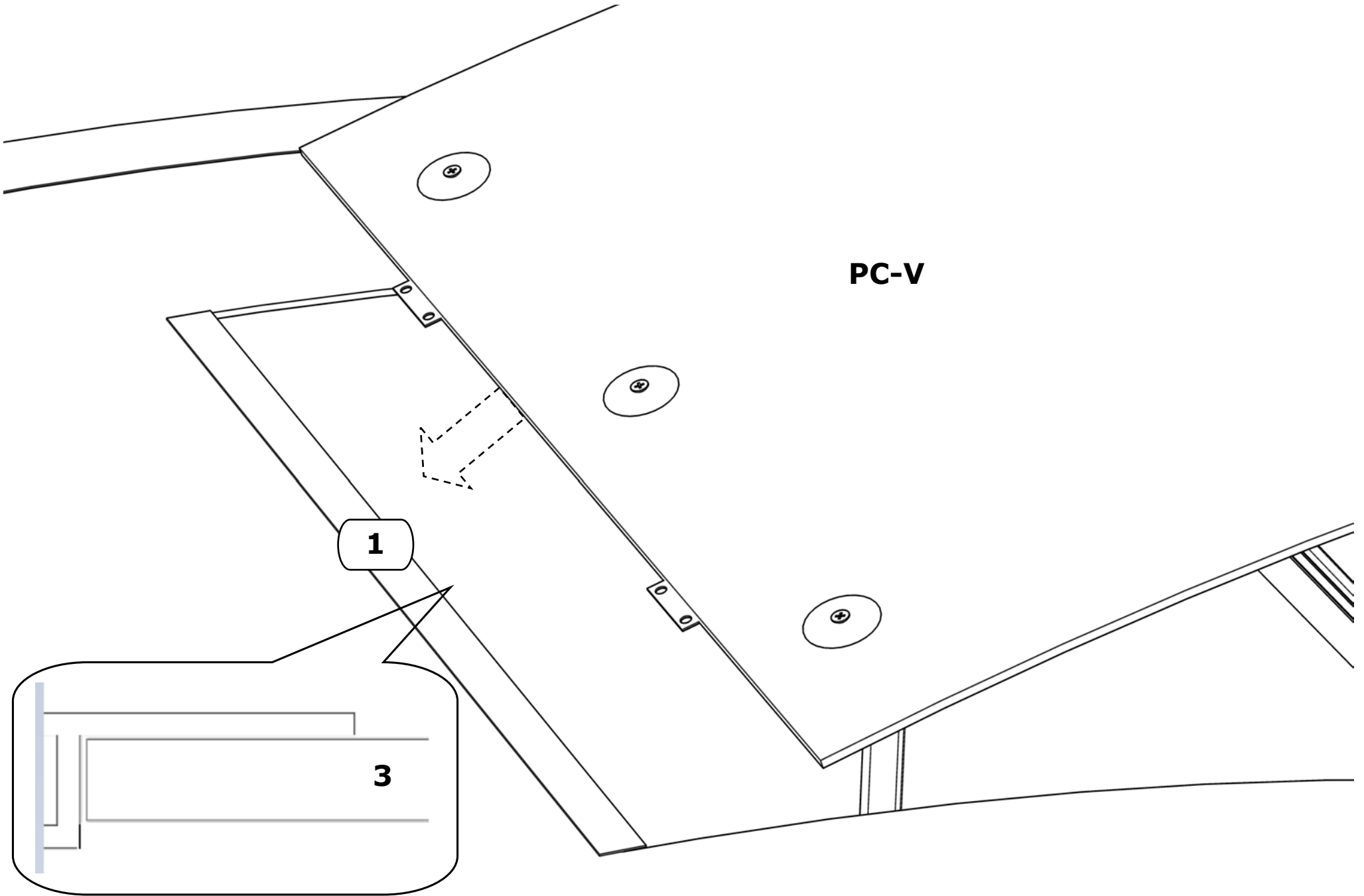
**\*Center vent frame on cut out and mark location to drill (based on hinge). Drill 4x 6mm holes.**



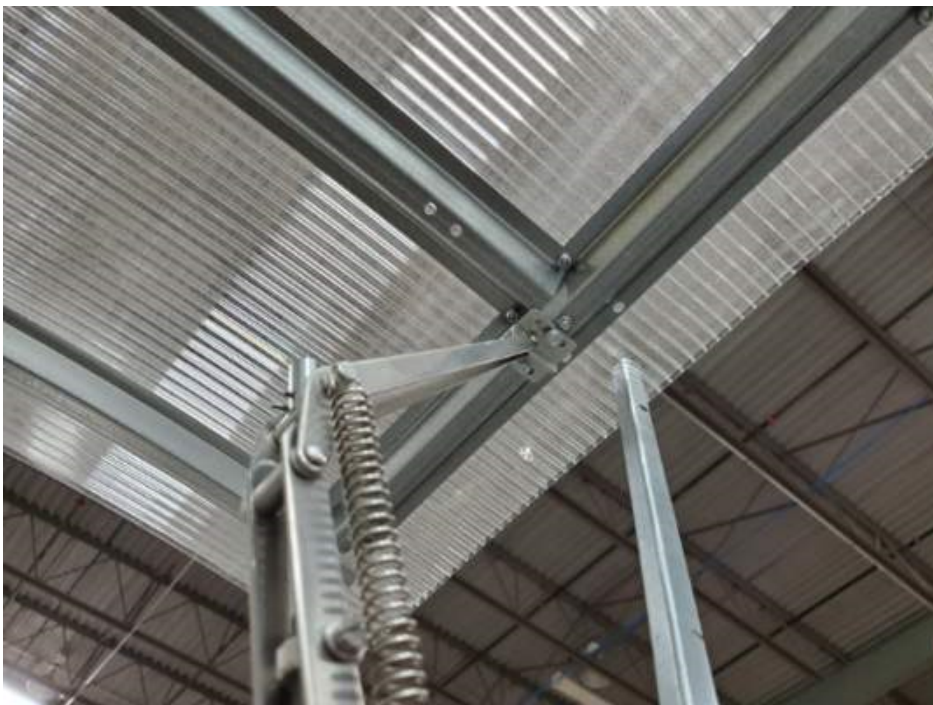








## Automatic Opener Install



**Install automatic opener using 4 self-tapping screws in the supplemental kit, as per pictures.**